

Service
Service
Service



Domestic Appliances and Personal Care

Service Manual

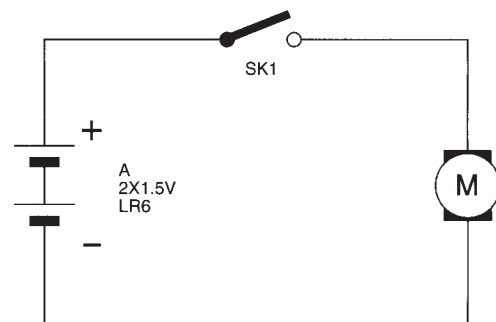
HINTS FOR REPAIRS

DISASSEMBLY

- Remove the shaving unit, to prevent damages during repairs.
- Remove the battery cover (item 14) and batteries.
- Loosen screw A.
- Exert some pressure on the places marked 'Y' and separate the housing halves.
- Unlock the peg-clamping 'Z' between frame (item 7) and hair chamber (item 5).

ASSEMBLY

- The assembly must be carried out in the reverse order of what is described under Disassembly.
- When fitting the shaver it must be checked if wiring is correctly positioned.



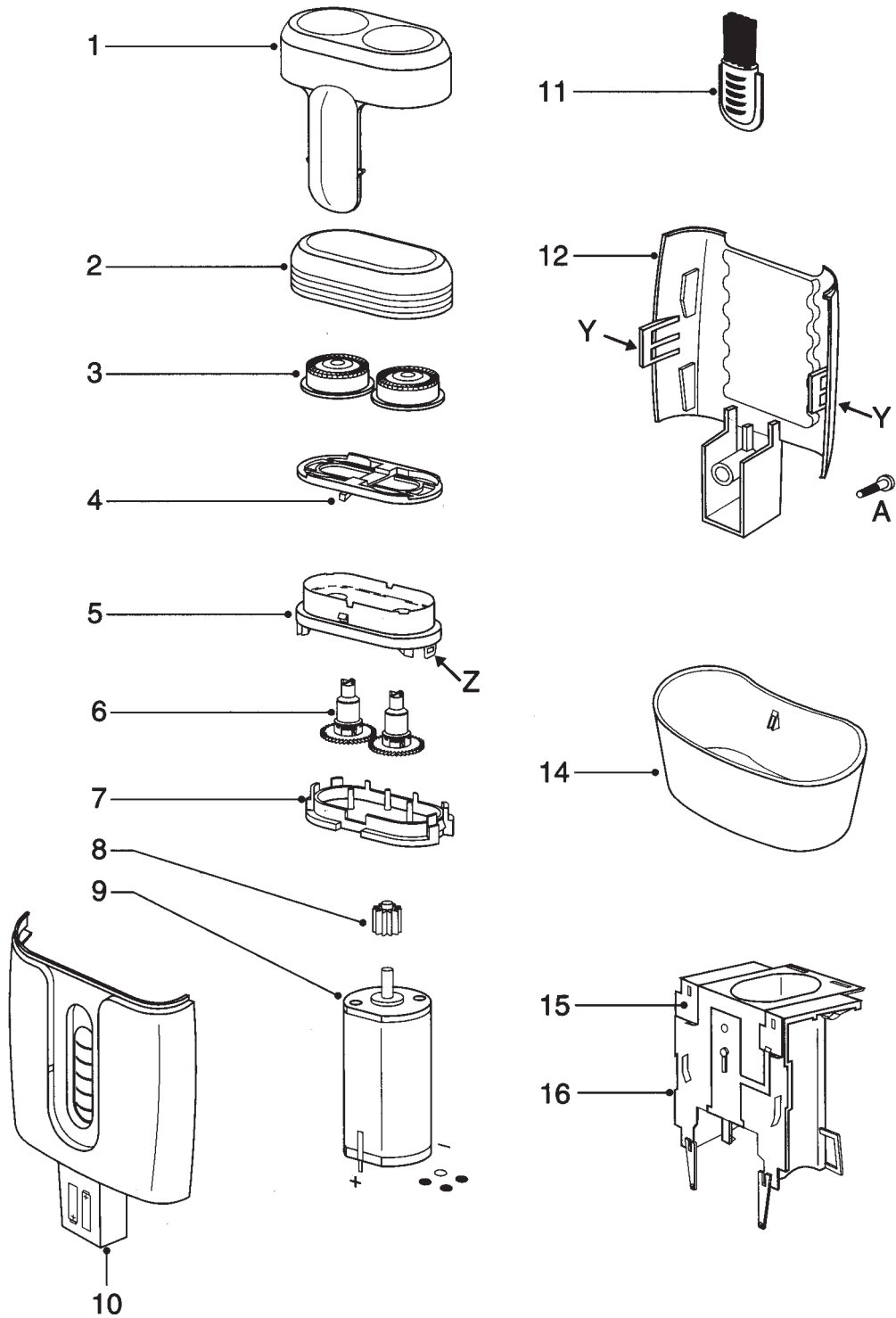
TECHNICAL DATA

Operating voltage	: 3V $\ddot{=}$
Power supply	: 2X AA/LR6 battery
Shaving heads	: 2X HQ2
Comfort control	: fixed setting

MSH CODING
8851 020 00000 HQ 20



HQ 20/A



- 1 4822 462 10858 protecting cap
- 2 4822 441 40596 head housing
- 3 4822 690 30469 HQ2 shaving head
- 4 4822 404 40701 head holder
- 5 4822 442 00735 cover/hairseal
- 6 4822 522 32709 gearwheel
- 7 4822 464 10252 motor frame
- 8 4822 522 33039 pinion
- 9 4822 361 10946 motor 2.4V
- 10 4822 441 11882 housing PH

- 10 4822 441 11883 housing NOR
- 11 4822 479 20173 cleaning brush
- 12 4822 442 00738 cover PH/NOR
- 14 4822 442 00736 battery cover NOR
- 4822 442 00737 battery cover PH
- 15 4822 466 11427 battery contact
- 16 4822 256 10335 switch holder
- A 4822 502 30526 s.t.screw 1/8x10/T8