

TOSHIBA BIPOLAR DIGITAL INTEGRATED CIRCUIT SILICON MONOLITHIC

TD62064APA

4CH HIGH-CURRENT DARLINGTON SINK DRIVER

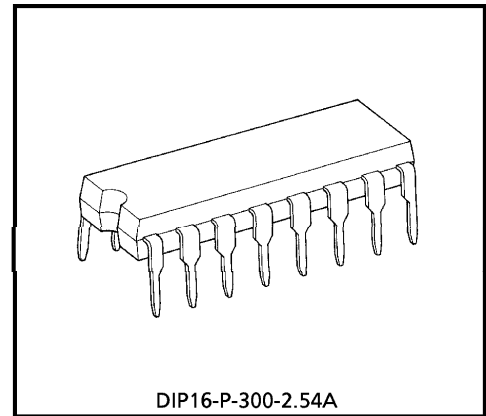
The TD62064APA is high-voltage, high-current darlington drivers comprised of four NPN darlington pairs.

All units feature integral clamp diodes for switching inductive loads.

Applications include relay, hammer, lamp and stepping moter drivers.

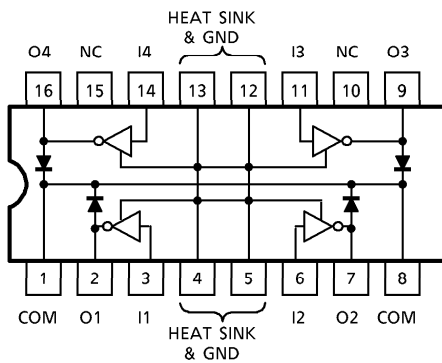
FEATURES

- Output current (single output) 1.5A / ch (Max.)
- High sustaining voltage output 50V (Min.)
- Output clamp diodes
- Input compatible with TTL and 5V CMOS
- GND and SUB Terminal = Heat Sink
- Package type-APA : DIP-16 pin

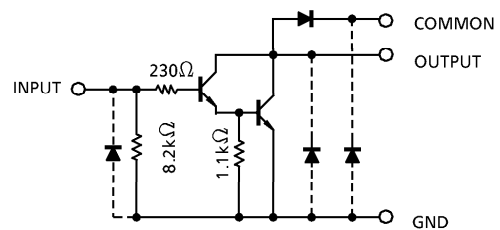


Weight : 1.11g (Typ.)

PIN CONNECTION (TOP VIEW)



SCHEMATICS (EACH DRIVER)



(Note) The input and output parasitic diodes cannot be used as clamp diodes.

961001EBA2

- TOSHIBA is continually working to improve the quality and the reliability of its products. Nevertheless, semiconductor devices in general can malfunction or fail due to their inherent electrical sensitivity and vulnerability to physical stress. It is the responsibility of the buyer, when utilizing TOSHIBA products, to observe standards of safety, and to avoid situations in which a malfunction or failure of a TOSHIBA product could cause loss of human life, bodily injury or damage to property. In developing your designs, please ensure that TOSHIBA products are used within specified operating ranges as set forth in the most recent products specifications. Also, please keep in mind the precautions and conditions set forth in the TOSHIBA Semiconductor Reliability Handbook.
- The products described in this document are subject to foreign exchange and foreign trade control laws.
- The information contained herein is presented only as a guide for the applications of our products. No responsibility is assumed by TOSHIBA CORPORATION for any infringements of intellectual property or other rights of the third parties which may result from its use. No license is granted by implication or otherwise under any intellectual property or other rights of TOSHIBA CORPORATION or others.
- The information contained herein is subject to change without notice.

MAXIMUM RATINGS (Ta = 25°C)

CHARACTERISTIC	SYMBOL	RATING	UNIT
Output Sustaining Voltage	V _{CE(SUS)}	- 0.5~50	V
Output Current	I _{OUT}	1.5	A / ch
Input Current	I _{IN}	50	mA
Input Voltage	V _{IN}	- 0.5~17	V
Clamp Diode Reverse Voltage	V _R	50	V
Clamp Diode Forward Current	I _F	1.50	A / ch
Power Dissipation	P _D	1.47 / 2.7 (Note)	W
Operating Temperature	T _{opr}	- 40~85	°C
Storage Temperature	T _{stg}	- 55~150	°C

(Note) On Glass Epoxy PCB (50×50×1.6mm Cu 50%)

RECOMMENDED OPERATING CONDITIONS (Ta = - 40~85°C)

CHARACTERISTIC	SYMBOL	CONDITION	MIN.	TYP.	MAX.	UNIT	
Output Sustaining Voltage	V _{CE(SUS)}		0	—	50	V	
Output Current	I _{OUT}	DC 1 Circuit, Ta = 25°C	0	—	1250	mA / ch	
		T _{pw} ≤ 25ms 4 Circuits On Ta = 85°C T _j = 120°C	Duty = 10%	0	—		1250
			Duty = 50%	0	—		700
Input Voltage	V _{IN}		0	—	8	V	
	Output On	V _{IN(ON)}	I _{OUT} = 1.25A	2.5	—	8	V
	Output Off	V _{IN(OFF)}		0	—	0.4	V
Input Current	I _{IN}		0	—	20	mA	
Clamp Diode Reverse Voltage	V _R		0	—	50	V	
Clamp Diode Forward Current	I _F		—	—	1.25	A	
Power Dissipation	P _D	Ta = 85°C (Note)	—	—	1.4	W	

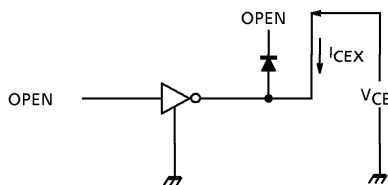
(Note) On Glass Epoxy (50×50×1.6mm Cu 50%)

ELECTRICAL CHARACTERISTICS (Ta = 25°C)

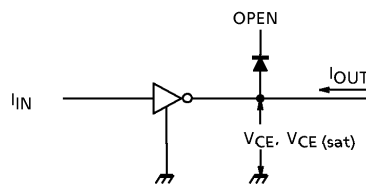
CHARACTERISTIC	SYMBOL	TEST CIR-CUIT	TEST CONDITION	MIN.	TYP.	MAX.	UNIT
Output Leakage Current	I _{CEX}	1	V _{CE} = 50V, Ta = 25°C	—	—	50	μA
			V _{CE} = 50V, Ta = 85°C	—	—	500	
Collector-Emitter Saturation Voltage	V _{CE (sat)}	2	I _{OUT} = 1.25A, I _{IN} = 2mA	—	—	1.6	V
			I _{OUT} = 0.75A, I _{IN} = 935μA	—	—	1.25	
DC Current Transfer Ratio	h _{FE}	2	V _{CE} = 2V	I _{OUT} = 1.0A	—	800	—
				I _{OUT} = 1.25A	—	1500	
Input Voltage (Output On)	V _{IN (ON)}	3	I _{OUT} = 1.25A, I _{IN} = 2mA	—	—	2.4	V
Clamp Diode Reverse Current	I _R	4	V _R = 50V, Ta = 25°C	—	—	50	μA
			V _R = 50V, Ta = 85°C	—	—	100	
Clamp Diode Forward Voltage	V _F	5	I _F = 1.25A	—	—	2	V
Input Capacitance	C _{IN}	6	V _{IN} = 0V, f = 1MHz	—	15	—	pF
Turn-On Delay	t _{ON}	7	C _L = 15pF, V _{OUT} = 50V R _L = 40Ω	—	0.1	—	μs
Turn-Off Delay	t _{OFF}			—	1.0	—	

TEST CIRCUIT

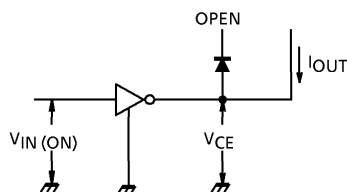
1. I_{CEX}



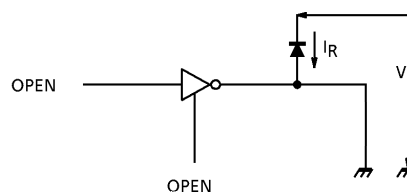
2. V_{CE (sat)}, h_{FE}



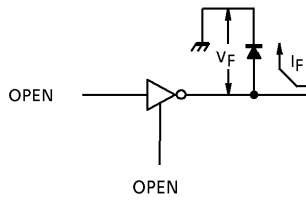
3. V_{IN (ON)}



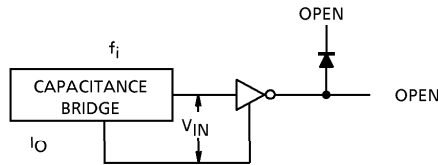
4. I_R



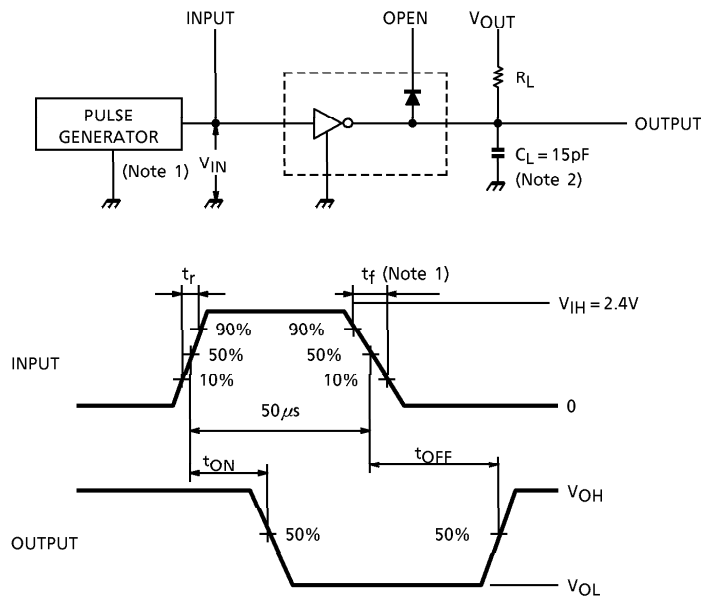
5. V_F



6. C_{IN}



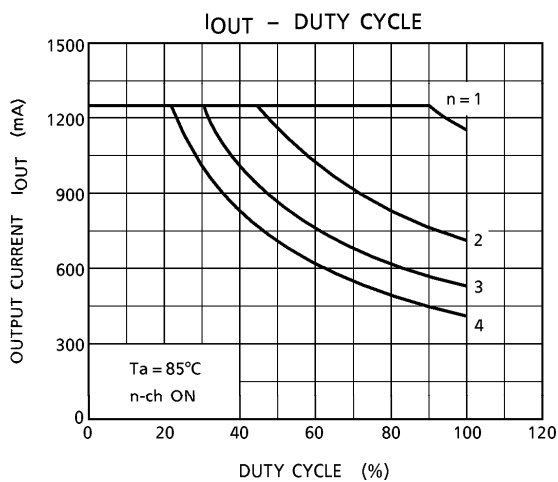
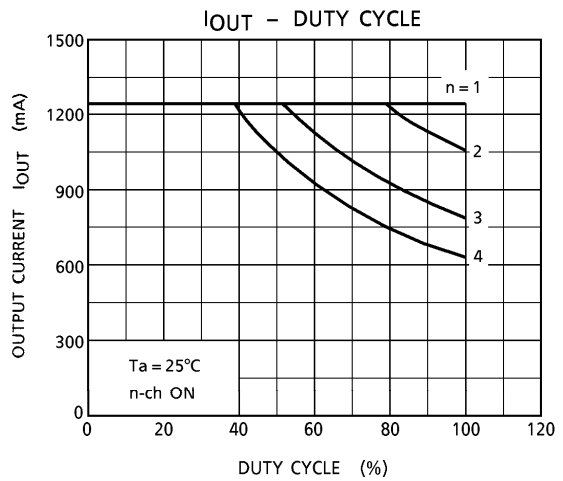
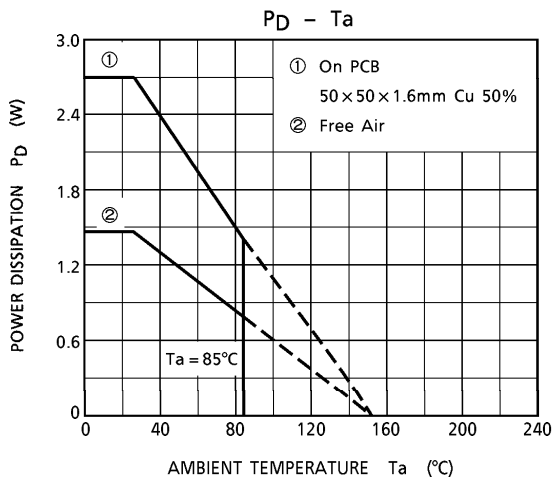
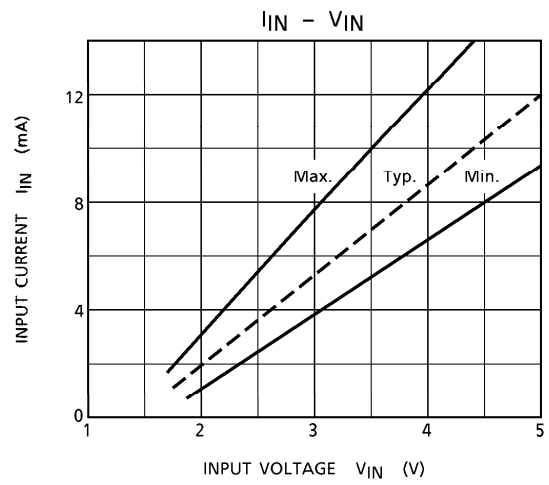
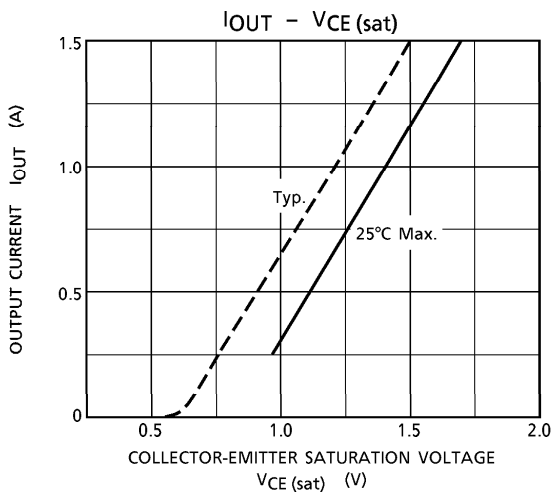
7. t_{ON} , t_{OFF}



- (Note 1) Pulse Width $50\mu s$, Duty Cycle 10%
Output Impedance 50Ω , $t_r \leq 5ns$, $t_f \leq 10ns$
- (Note 2) C_L includes probe and jig capacitance.

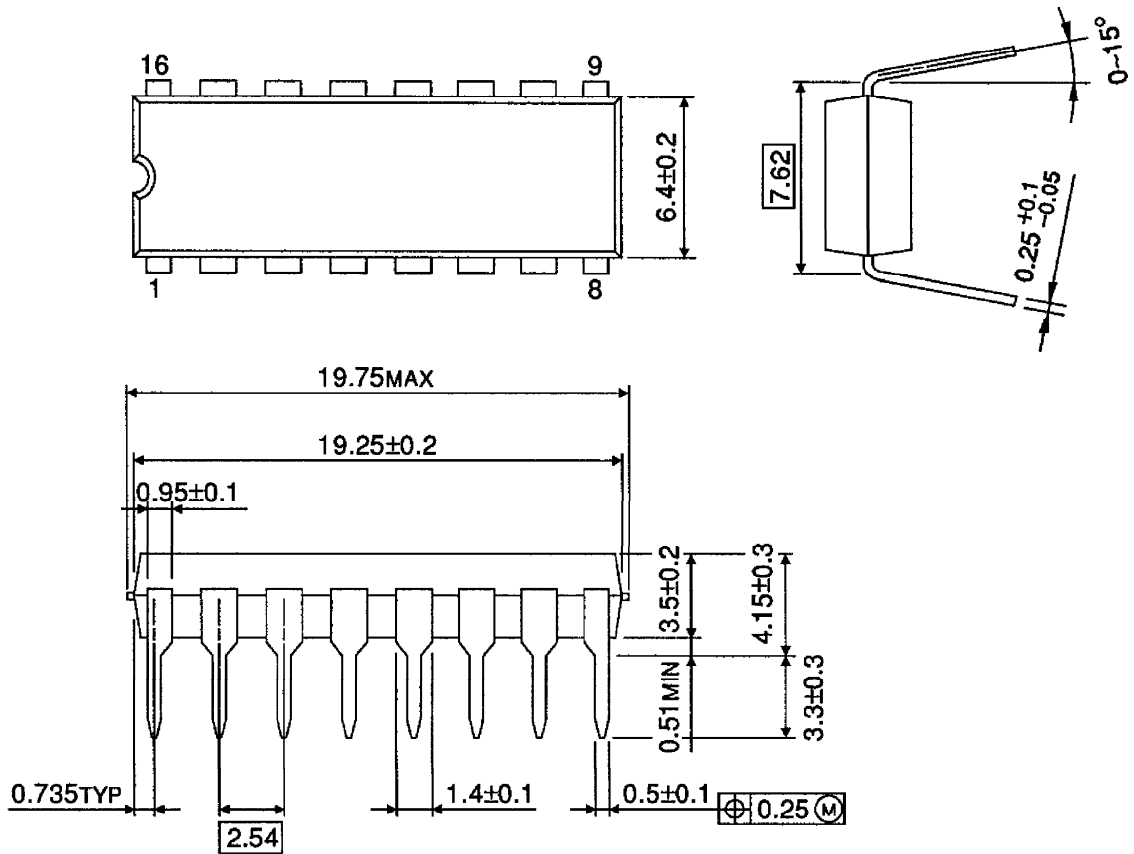
PRECAUTIONS for USING

Utmost care is necessary in the design of the output line, COMMON and GND line since IC may be destroyed due to short-circuit between outputs, air contamination fault, or fault by improper grounding.



OUTLINE DRAWING
DIP16-P-300-2.54A

Unit : mm



Weight : 1.11g (Typ.)