




Instruction manual

Thank you for purchasing the LCD screen (for PS one™). Before using this product, carefully read this manual and retain it for future reference.


This LCD screen is exclusively for use with PS one™ consoles that have the  symbol marked on the console bottom.

GB

English

使用說明書

謝謝您購買 PS one™ 專用液晶顯示器。使用本產品以前，請先詳細閱讀本說明書，並妥善保存，以備將來參考之用。

本液晶顯示器乃專對應主機底面標示  標誌的 PS one™ 主機。

CT

中文

LCD Screen (for PS one™)

PS one™ 專用液晶顯示器

SCPH-143A

To prevent fire or shock hazard, do not expose the unit to rain or moisture.

To avoid electrical shock, do not disassemble. Refer servicing to qualified personnel only.

Caution

Use the supplied SCPH-122B AC adaptor only. Note that use of any other AC adaptor (including the SCPH-115 AC adaptor supplied with the PS one console) may result in fire, electrical shock or damage to the unit. The model number is specified on the upper right corner of the label on the AC adaptor.

This AC adaptor is not intended to be serviced. Should the product cease to function in its intended manner, it should be returned to the manufacturer or be discarded.

2	WARNING
2	Table of contents
3	Precautions
6	Checking the package contents
7	Part names
8	Connecting the LCD screen to your PS one™ console
9	Using the LCD screen
9	Adjusting the brightness of the screen
10	Adjusting the volume
10	Using headphones with the LCD screen
11	Connecting your PS one™ console to a TV set
11	Connecting video equipment to the LCD screen
12	Troubleshooting
13	Specifications
14	WARRANTY

Safety

This product has been designed with the highest concern for safety. However, any electrical device, if used improperly, has the potential for causing fire, electrical shock or personal injury. To ensure accident-free operation, be sure to follow these guidelines.

- Observe all warnings, precautions and instructions.
- Stop use immediately if the device functions in an abnormal manner, or produces unusual sounds or smells.
- Do not touch the AC adaptor with wet hands.
- Do not touch or ingest any fluid leaking from a damaged LCD screen. If any fluid gets into the eyes or mouth, flush with water and consult your physician immediately.
- If the device does not function properly, call the PlayStation service line number listed on your warranty card for technical assistance.

Health

To help prevent eye strain:

- Take a break of about 15 minutes during every hour of play.
- Do not play a game when you are tired or short of sleep.
- Play in a well-lit room and keep a safe distance from the LCD screen.

When using headphones with the LCD screen, be sure to turn the volume down as far as it will go before putting on the headphones. Adjust the volume as necessary after the game has started.

Listening to loud sounds for an extended period of time can have a harmful effect on one's hearing. This is especially true when using headphones. When using headphones, keep the volume at a moderate level to avoid harming your ears. If you experience a ringing in your ears, turn the volume down or stop use of the headphones.

Avoid prolonged physical contact with the LCD screen or AC adaptor. This may cause low temperature burns.

Use and handling

Failure to follow the precautions below may result in damage to the LCD screen (for PS one™), the PS one™ console or the disc in use.

- Operate the LCD screen only on 220V AC, 60 Hz.
- Never disassemble or modify the LCD screen or AC adaptor.
- Do not expose the LCD screen or AC adaptor to high temperatures, high humidity, or direct sunlight, or to extreme cold (use in an environment where temperatures range 5°C-35°C).
- Do not expose the LCD screen to excessive dust.
- Do not block the air vents or wrap up the LCD screen, as doing so may cause heat to build up internally.
- Do not use the LCD screen on a rug or carpet.
- Do not allow liquid or small particles to get into the LCD screen.
- Do not put heavy objects on the LCD screen or AC adaptor.
- Do not throw or drop the LCD screen or AC adaptor, or subject either item to strong physical shock.
- Do not shake the LCD screen while in use, or subject it to vibration.
- Do not place, or use the LCD screen on an unstable surface.
- Do not place the LCD screen close to magnetic fields.

Screen

- Direct exposure to sunlight may damage the screen. Be careful when using the LCD screen outdoors or near a window.
- Do not push on, or scratch, the screen, or put objects on top of it. This may cause defects in, or damage to, the screen.
- When using the LCD screen in a cold environment, you may notice shadows on the graphics or the screen may appear darker than usual. This is not a malfunction and the screen will return to normal when the temperature goes up.
- Do not leave still images displayed on the screen for extended periods of time. This may cause a faint image to be left permanently on the screen.
- Some parts of the LCD screen (for PS one™) may become warm during use. This is a normal condition. However, if any part of the unit becomes hot to the touch, remove the AC adaptor from the electrical outlet immediately and call the PlayStation service line number listed on your warranty card for technical assistance.

AC adaptor

- Use the supplied AC adaptor only. Note that use of any other power supply device (including the AC adaptor supplied with the PS one™ console) may result in fire, electrical shock or damage to the unit.
- Do not connect the AC adaptor to a transformer. This may result in overheating or malfunction.
- When you do not intend to use the LCD screen for an extended period of time, disconnect the AC adaptor from the electrical outlet.
- When disconnecting the power cord from an electrical outlet, pull it out by grasping the plug. Never pull the cord itself.
- Even if the LCD screen is turned off, do not disconnect the AC adaptor from the LCD screen while the other end of the cord is connected to an electrical outlet.

Moisture condensation

If the LCD screen is brought directly from a cold location to a warm one, moisture may condense inside the unit. Should this occur, the LCD screen may not operate properly. In this case, do not turn the console on until the moisture evaporates (this could take several hours). If the LCD screen still does not operate properly after this period of time, call the PlayStation service line number listed on your warranty card for technical assistance.

Static image caution

Static, non-moving images, such as menus, configuration displays, or paused images, may leave a faint image permanently on the TV screen if left on for extended periods of time. Projection TVs are more susceptible to this than other types of displays. Do not operate the PS one™ console in such a manner that this could occur.

Speaker magnets

The stereo speakers on the LCD screen (for PS one™) contain magnets. Do not place metal objects near the speakers. Also, keep magnetic tapes and discs away from the speakers. Failure to do so may result in the loss of stored data.

Bright and dark spots on the screen

Red, blue or green spots (bright spots) or black spots (dark spots) may appear in certain locations on the screen. The appearance of such spots is a normal occurrence associated with LCD screens and is not a sign of malfunction. LCD panels are made using highly precise technology and more than 99.98% of the pixels work properly. However, a very small number of dark pixels or continuously lit pixels exist on each screen. Also, a distorted image may remain on-screen for several seconds after the LCD screen has been turned off.

Fluorescent tubes (backlighting)

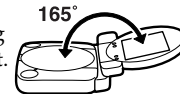
This product makes use of specially designed fluorescent tubes for screen illumination. These fluorescent tubes may wear out over time. If your screen loses brightness, starts flickering or fails to light up, call the PlayStation service line number listed on your warranty card for technical assistance.

Games

Certain games that make use of gun or rifle controllers to shoot at targets on-screen cannot be used with this product.

Changing the angle of the display panel

When the LCD screen is connected to the PS one™ console, the display panel can be adjusted for viewing within the range of motion shown in the chart at right. If too much pressure is applied to the display panel, damage to the LCD screen (for PS one™) may result. When changing the angle of the display panel be careful not to bend it too far. Also, be sure to close the display panel when the LCD screen is not in use.



Closing the LCD screen

When closing the LCD screen, be sure to close the disc cover of the PS one™ console first and then close the LCD screen. If you close both at the same

time, damage to the screen or malfunctions may result.

Transporting the LCD screen

Before carrying the LCD screen, make sure you disconnect it from any cables. If you drop the LCD screen, personal injury or damage to the LCD screen may result.

Cleaning the LCD screen

Before cleaning the LCD screen, be sure to disconnect the AC adaptor from the electrical outlet.

Cleaning the exterior

- Do not use paint thinner or other chemicals to clean the exterior of the LCD screen as these may damage the surface. When using a chemically-treated dust cloth, follow the usage instructions supplied with the cloth.
- If the exterior of the LCD screen becomes dirty, soak a soft cloth in a mild detergent solution diluted with water, tightly squeeze the cloth to remove the excess liquid, wipe the affected area of the exterior, and finish by wiping with a dry cloth.

Cleaning the screen

- Avoid touching the screen surface except when necessary for cleaning, as this may damage it.
- Do not use a wet cloth to clean the screen. If water gets inside, it may cause damage to the LCD screen.
- If the screen becomes dirty, wipe off the screen surface with a soft, dry cloth.

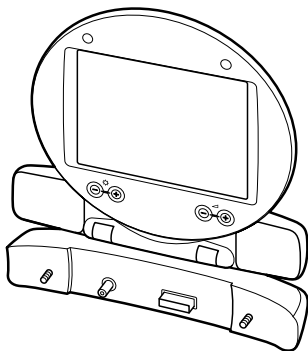
The PS one™ console can be used in a car when connected to an LCD screen (for PS one™) and car adaptor (for PS one™) (sold separately). For safe operation, be sure to follow these precautions:

- Before using the console in a car, carefully read the instruction manual supplied with the car adaptor (for PS one™).
- Never use the console while operating a vehicle. Only back seat passengers should use this product.
- Do not use the console in such a way that it could distract the driver.
- Observe all laws governing the use of portable devices in vehicles.
- Do not leave the console or LCD screen (for PS one™) in a car with its windows closed, as this could damage these products.
- Do not leave the car adaptor (for PS one™) plugged in when the vehicle is not in use.

6 Checking the package contents

Check that you have the following items:

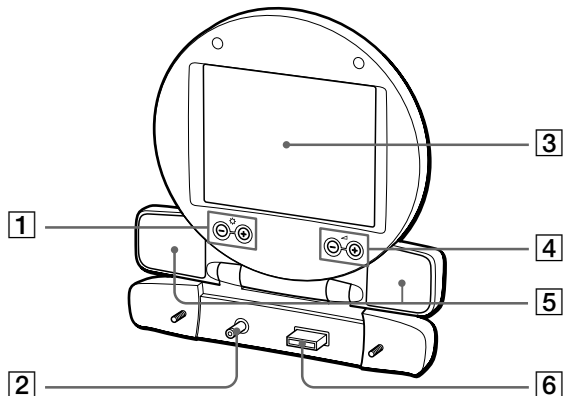
- **LCD screen (for PS one™) (1)**



- **Instruction manual (1)**

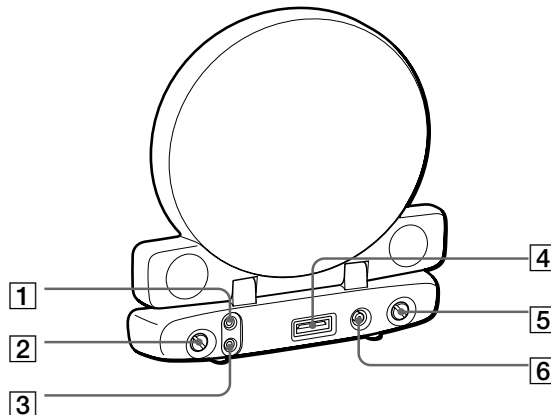
LCD screen (for PS one™)

Front



- 1 ☀ (brightness) -/+ buttons
- 2 Power connector
- 3 Screen
- 4 ↖ (volume) -/+ buttons
- 5 Stereo speakers
- 6 AV MULTI connector

Rear



- 1 AV IN jack
- 2 Mounting screw
- 3 🎧 (headphone) jack
- 4 AV MULTI OUT connector
- 5 Mounting screw
- 6 ⚡ DC IN 7.5V connector

⚡ Warning

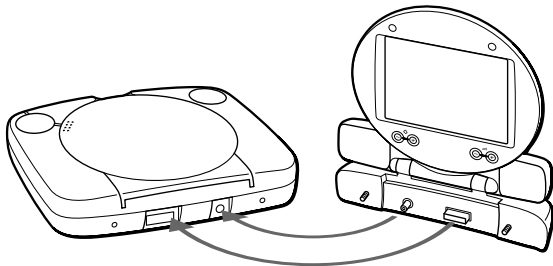
Do not connect the AC adaptor to the LCD screen (for PS one™) until you have finished connecting the LCD screen to the PS one™ console.

Note

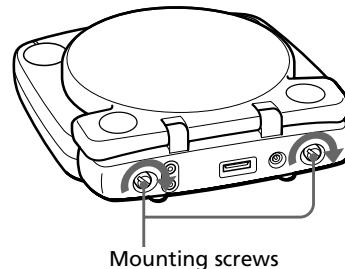
Remove the protective sheet from the screen before use.

1 Connect the LCD screen to your PS one™ console.

Connect the LCD screen to your PS one™ console by matching the AV MULTI connector and power connector of the LCD screen with the AV MULTI OUT connector and the ⚡ DC IN 7.5V connector of the console.

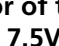


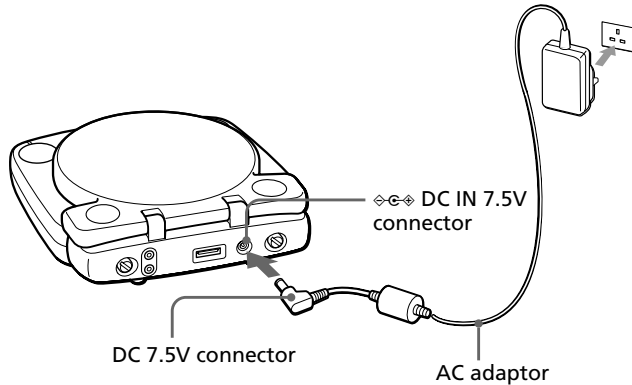
2 Tighten the mounting screws on the LCD screen rear using a coin.



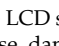
Notes

- Do not use a screwdriver to tighten the mounting screws.
- Do not fasten the mounting screws too tightly as this may damage the screws or the console.

- 3** Insert the DC 7.5V connector of the supplied AC adaptor into the  DC IN 7.5V connector on the LCD screen rear, and then insert the AC adaptor into an electrical outlet.




Notes

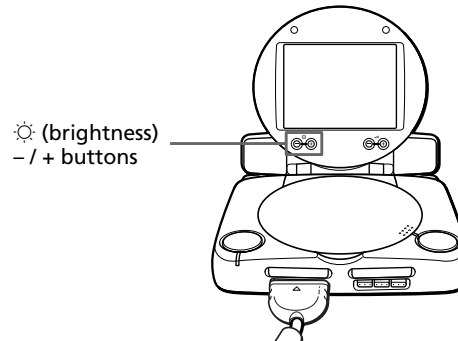
- Be sure that the DC 7.5V connector is securely inserted into the  DC IN 7.5V connector of the LCD screen. If the DC 7.5V connector comes loose while in use, damage to the LCD screen may result.
- Position your PS one™ console and its connecting cables so that they are not likely to be walked on or get caught between other items.

You can play games on your PS one™ console using the LCD screen (for PS one™).


The LCD screen automatically turns on when you turn on the PS one™ console.

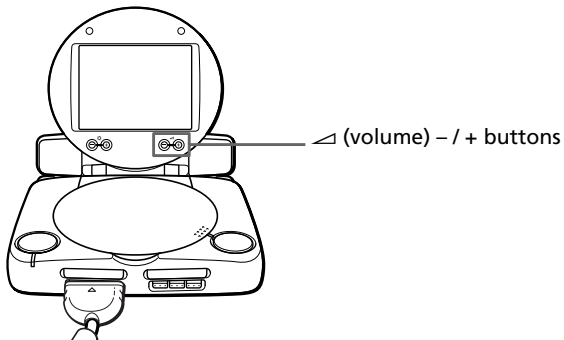
Adjusting the brightness of the screen

You can adjust the brightness of the screen with the  (brightness) -/+ buttons on the display panel. You can see the setting level displayed on-screen.




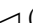
Adjusting the volume

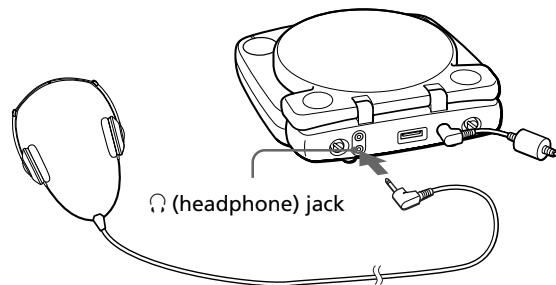
You can adjust the volume of the stereo speakers and headphones (sold separately) with the  (volume) -/+ buttons on the display panel. You can see the setting level displayed on-screen.



Using headphones with the LCD screen

You can use headphones (sold separately) with the LCD screen (for PS one™).

Connect the headphones to the  (headphone) jack on the LCD screen rear. Adjust the volume if necessary by pressing the  (volume) -/+ buttons.



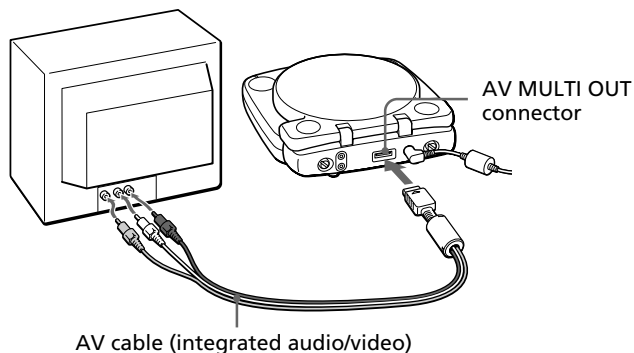
Note

When using headphones with the LCD screen, be sure to turn the volume down as far as it will go before putting on the headphones. Adjust the volume as necessary after the game has started.

Connecting your PS one™ console to a TV set

You can play games on the PS one™ console using a TV screen even when an LCD screen (for PS one™) is connected to the console.

Use the AV MULTI OUT connector on the LCD screen rear to connect your console to a TV set using the AV cable (integrated audio/video) supplied with the PS one™ console.



Connection method

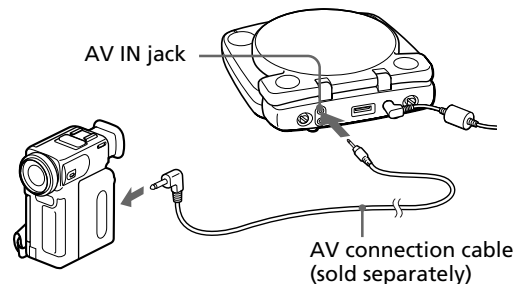
Refer to the PS one™ console instruction manual and the instruction manual supplied with your TV for information on how to connect your console to a TV set.

Connecting video equipment to the LCD screen

11

You can watch other types of content on the LCD screen (for PS one™) by connecting a device such as a camcorder to your PS one™ console via the LCD screen. Cable will differ depending on the connecting camcorder so please contact each maker respectively.

When an AV connection cable is used for connection, the LCD screen automatically detects the video signal of the connected device. You can view the video on the screen simply by starting playback on the connected device.



Connection method

Refer to the instruction manual for your video equipment and the instructions supplied with the AV connection cable on how to connect your console to the device.

Note

Video played from a connected device cannot be displayed on a TV screen even if the TV is connected to the PS one™ console via the LCD screen.

GB

English

Please go through this section if you experience difficulty in operating the LCD screen (for PS one™).

- ① If you experience any of the following difficulties, use this troubleshooting guide to help remedy the problem before requesting repair. Refer also to the troubleshooting section of the PS one™ console instruction manual. Should any problem persist, call the PlayStation service line number listed on your warranty card for technical assistance.
- ② Make sure the AC adaptor is connected to the console and the electrical outlet.

Symptoms

Power

The LCD screen does not turn on.

- ➔ Securely connect the AC adaptor to the LCD screen.
- ➔ Use only the supplied SCPH-122B AC adaptor.


Picture

The picture is distorted.

- ➔ Clean the disc.
- ➔ Make sure the disc is not damaged.
- ➔ Place the unit on a solid and stable surface.

Sound

There is no sound.

- ➔ No sound will come from the stereo speakers when headphones (sold separately) are connected to the LCD screen. If you want to listen to sound from the stereo speakers, disconnect the headphones from the LCD screen.
- ➔ No sound will come from the headphones if headphones are not properly connected to the LCD screen. If you want to listen to sound from the headphones, securely insert the headphones into the  (headphone) jack on the LCD screen rear.
- ➔ Adjust the volume.

There is poor sound quality.

- ➔ Clean the disc.
- ➔ Make sure the disc is not damaged.
- ➔ Place the unit on a solid and stable surface.

There is no picture and/or sound from the connected device.

- ➔ Make sure the AV connection cable (sold separately) is connected properly at both ends.

General

Power requirements

AC adaptor: 7.5 V DC
(220 V AC, 60 Hz)

Power consumption

6.8 W (Not including power used
by the PS one™ console.)

Dimensions (approx.)

182 × 186 × 34 mm (w/h/d)
(Measurements include the
farthest protrusions.)

Weight (approx.)

335 g

Operating temperature

5°C - 35°C

Picture size

5 in; 101.6 × 76.2 mm (4 × 3 in),
127 mm (5 in) (w × h, diagonally)

Display

Transparent TN LCD panel

Drive system

TFT active matrix system

Speaker units

40 × 28.5 mm, 1.0W type

Inputs/outputs

Inputs

AV IN jack (mini-jack)
⊕⊖ DC IN 7.5V connector

Outputs

AV MULTI OUT connector
🎧 (headphone) jack
0.1 W (EIAJ/32 ohms)
(continuous RMS power
output)

Supplied accessories

See page 6.

Optional accessories

SCPH-110 / Analog Controller
(DUALSHOCK)

SCPH-1020 G / Memory Card

SCPH-1070 G / Multitap

SCPH-10060 G / S VIDEO Cable

SCPH-170 / Car adaptor

Design and specifications are
subject to change without notice.

Refer to the enclosed document regarding warranty that is country/area-specific.

為了避免發生火災或觸電，請勿讓本機淋雨或放在潮濕的地方。

為了避免觸電，請勿擅自打開機殼。維修應委託持有執照的專業人員進行。

注意事項

您只能利用 SCPH-122B 交流電源轉換器啟動本機。若使用其他類型的交流電源轉換器（包括 PS one 主機附屬之 SCPH-115 交流電源轉換器在內），則可能導致觸電或損壞主機。關於型號的確認，請注意交流電源轉換器上面右側的貼紙上之標示。

交流電源轉換器無法單獨接受維修保養。因為生產上的問題而導致機能失常之情形時，請交還該商品更換新品或直接廢棄處分。

- 2 警告
- 2 目錄
- 3 使用前須知事項
- 6 附屬品檢查
- 7 各部名稱
- 8 連接液晶顯示器和 PS one™ 主機
- 9 如何使用液晶顯示器
 - 9 調整液晶畫面的明暗度
 - 10 調整音量
 - 10 將耳機連接至液晶顯示器
- 11 連接 PS one™ 主機和電視機
- 11 連接其他數碼影像家電
- 12 故障檢修
- 13 規格
- 14 保證維修責任

安全方面

本產品乃基於最高的安全考量而設計並精密製造的。為避免本產品因錯誤的使用方法而發生任何功能異常，以及防止觸電、火災或人員傷亡，請遵守下列事項。

- 事先閱讀所有警告、使用前須知事項及各項說明。
- 如果出現異常無法正確操作、機體發出雜音或異味等現象時，請立即停止使用本產品。
- 請勿用濕手觸摸交流電源轉換器。
- 請勿用手觸摸自故障的液晶顯示器中洩漏的液晶（液體）。假如不慎發生液晶進入眼睛或嘴巴的情形時，請立即用清水沖洗，並接受醫生的治療。
- 如果您需要更多資訊，請就近與保證書上記載的消費者服務中心聯繫。

健康方面

防止眼睛疲勞：

- 每經過 1 個小時，便須休息 15 分鐘。
- 當您覺得非常疲勞或睡眠不足時，請盡量減少玩遊戲的時間。
- 請在光線充足的房間遊玩，並盡量在遠離液晶顯示器的地方操作。

在液晶顯示器上使用耳機時，請務必在開始播放將音量調到最低，然後再配合自己的喜好需要，逐漸調高音量。

長時間用大音量收聽音樂之行為，可能有害於您的聽力。持續使用耳機收聽時，請盡量保持在中等音量，以免傷害您的聽力。如果出現耳鳴等不舒服症狀，請調低音量或停止使用耳機。

請不要長時間用手觸摸液晶顯示器或交流電源轉換器，否則可能會導致低溫灼傷等意外的發生。

使用和保養

為避免在使用中造成 PS one™ 專用液晶顯示器、PS one™ 主機或光碟的毀損或故障，請切實遵守以下的注意事項。

- 本液晶顯示器只能使用 220V 交流電，60Hz。
- 切勿分解或改造液晶顯示器或交流電源轉換器。
- 請勿將本橫放架放在高溫、濕氣重或亦受陽光直接照射的地方。（操作溫度：5°C – 35°C）。
- 不可放置在潮濕、灰塵極多，或任何有油煙或蒸氣的地方。
- 不可堵塞住通風孔，或用布塊等包裹本機，以避免機內溫度過度升高。
- 不可放置在地毯或毛毯上。
- 請勿讓任何液體或異物掉落到液晶顯示器內。
- 請勿在液晶顯示器或交流電源轉換器上放置重物。
- 請勿投擲或掉落液晶顯示器或交流電源轉換器，並切勿意圖對上述產品賦予不當的物理性震動。
- 請勿在使用中搖晃液晶顯示器或造成撞擊。
- 請把液晶顯示器放置在平穩地方後使用。
- 請勿將液晶顯示器放在帶強磁場的裝置附近。

液晶畫面

- 陽光等強烈光線的直接照射，否則可能會導致液晶畫面的損壞。在戶外或窗戶旁使用時敬請多加留意。
- 請勿用力按壓液晶畫面，或在上頭放置物品，否則可能會導致液晶畫面的故障或損壞。
- 在寒冷的地方使用液晶顯示器，有時可能會出現影像出現黑影或畫面略比平常過暗的問題。但只要機內溫度回升至平常操作溫度的範圍，即可恢復正常。此非故障，敬請安心。
- 請勿讓液晶畫面長時間顯示靜止畫面，否則可能會導致液晶畫面出現殘影現象等損壞。

- 在使用中，PS one™ 專用液晶顯示器的零件會因為機體溫度的升高而變熱，此為正常現象。但若發現零件過熱，以至於無法用手觸摸之情形時，請立即從電源插座上拔掉插頭，並與保證書上記載的消費者服務中心聯繫。

交流電源轉換器

- 只能使用附屬品的交流電源轉換器。使用任何其他電源裝置（包括 PS one™ 主機附屬品的交流電源轉換器）可能會引起火災、電擊或損壞本裝置。
- 請勿將交流電源轉換器連接至變壓器，否則可能會導致過熱或故障。
- 長時間不使用液晶顯示器時，請從電源插座上拔下交流電源轉換器。
- 從電源插座上拔取電源插頭時，切記不可抽拉電線部分，而須拿住插頭拔下。
- 即使液晶顯示器關閉，當交流電源轉換器的一端仍插在電源插座上時，請勿從液晶顯示器上拔下交流電源轉換器。

關於結露現象

若把液晶顯示器從寒冷地方直接拿到溫暖的場所時，機內可能會凝結水滴，致使液晶顯示器不能正常工作。若發生這種現象，請勿啟動主機直到水分蒸發（可能需要數小時）。若如此仍然不能恢復正常操作的話，請打電話給保證書上記載的消費者服務中心。

關於靜像的注意

如果長時間顯示選單、結構顯示等靜像和不移動的影像、或暫停影像可能會在電視機畫面上留下永久的殘影。投影電視機比其他類型的顯示器更容易受此影響。請避免以這種方式操作 PS one™ 主機。

關於喇叭磁鐵

PS one™ 專用液晶顯示器的立體聲喇叭中包含磁鐵。請勿在喇叭附近放置金屬物品，也請勿在喇叭附近放置磁帶和光碟，否則可能會使儲存資料丟失。

關於液晶畫面上的明暗點

液晶畫面上可能會出現紅、藍或綠點（亮點）或黑點（暗點）。出現這些點是液晶顯示器的正常現象，而並非表示故障。液晶面板是使用高精密技術製造的，99% 以上的像素可以正常工作。但各畫面上仍會存在極少量的暗點或持續發亮的點。關閉液晶顯示器後，失真的影像也可能在螢幕上保留數秒鐘。

關於螢光管（日光燈）

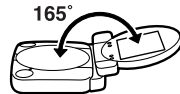
本產品使用特殊設計的螢光管作為液晶畫面的照明。時間長久後這些螢光管會損耗。如果液晶畫面的明暗度降低、開始閃爍或無法點亮，請打電話給保證書上記載的消費者服務中心。

關於遊戲

有些使用槍或來復槍控制器向螢幕上的目標射擊的遊戲無法使用本產品。

改變顯示器保護蓋的角度

當液晶顯示器連接在 PS one™ 主機上時，如右圖所示，可以在一定的範圍內調節顯示器保護蓋的角度來進行觀看。如果過度用力按壓顯示器保護蓋，可能會損壞 PS one™ 專用液晶顯示器。在改變顯示角度上要小心不能打開過大。不使用液晶顯示器時也請務必關閉顯示器保護蓋。



關於關閉液晶顯示器

關閉液晶顯示器時，請務必先關閉 PS one™ 主機的光碟蓋，然後再關閉液晶顯示器。如果同時關閉兩者，可能會損壞液晶畫面或引起故障。

關於液晶顯示器之搬移

攜帶液晶顯示器之前，請務必拔下所有連接線。如果摔落液晶顯示器，可能會導致人身傷害或損壞液晶顯示器。

關於液晶顯示器之清潔

清潔液晶顯示器之前，請務必從電源插座上拔下交流電源轉換器。

清潔外殼

- 請勿使用油漆稀釋劑或其他化學物品來清潔液晶顯示器的外殼，否則可能會損壞其表面。使用化學抹布時，請按照抹布的說明書使用。
- 如果液晶顯示器的外殼變髒，請將軟布在用水稀釋過的中性洗滌劑中浸泡後擰乾，擦去外殼上的污跡，最後再用乾布擦拭。

清潔螢幕

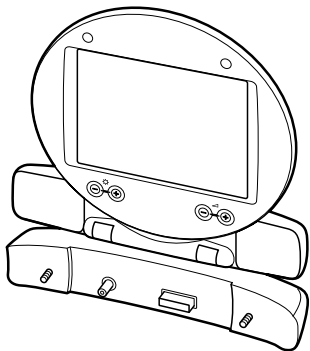
- 請避免觸摸液晶表面，除非需要清潔時，否則可能會將其損壞。
- 請勿用濕布清潔螢幕。如果有水進入內部，可能會損壞液晶顯示器。
- 如果液晶畫面變髒，請用柔軟的乾布擦拭螢幕表面。

當連接 PS one™ 專用液晶顯示器和 PS one™ 專用汽車轉換器（選購品）時，可能在車內使用 PS one™ 主機。為安全操作，請遵守以下事項：

- 在車內使用主機之前，請仔細閱讀 PS one™ 專用汽車轉換器的使用說明書。
- 切勿在駕駛汽車時使用主機。只有後座乘客可以使用本產品。
- 使用主機時請勿干擾司機。
- 請遵守所有使用汽車攜帶裝置的有關法律。
- 請勿在關閉車窗關閉時將主機或 PS one™ 液晶顯示器留在車內，否則可能會損壞這些產品。
- 不用汽車時，請拔下 PS one™ 專用汽車轉換器。

請檢查是否具備以下零件：

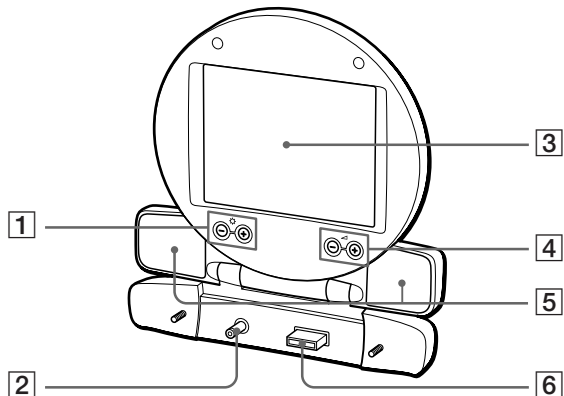
- PS one™ 專用液晶顯示器 (1)



- 使用說明書 (1)

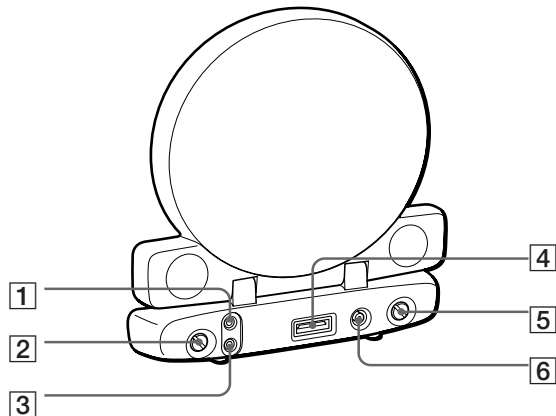
PS one™ 專用液晶顯示器

前面



- ❶ ☀ (明暗度) -/+ 按鈕
- ❷ 電源連接端
- ❸ 液晶畫面
- ❹ ∟ (音量) -/+ 按鈕
- ❺ 立體聲喇叭
- ❻ AV MULTI (AV 多重) 連接端

背面



- ❶ AV IN (影像/聲音輸入) 連接端
- ❷ 固定螺絲
- ❸ 🎧 (耳機) 端子
- ❹ AV MULTI OUT (AV 多重輸出) 端子
- ❺ 固定螺絲
- ❻ ⚡ DC IN 7.5 電源端子

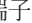
警告

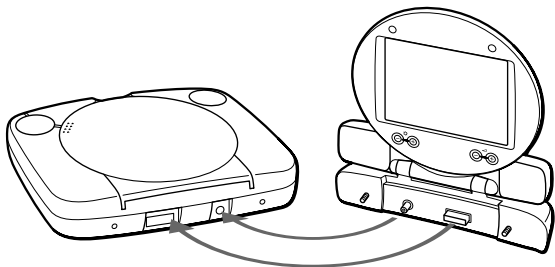
請先連接液晶顯示器和 PS one™ 主機後，再連接交流電源轉換器。

注意事項

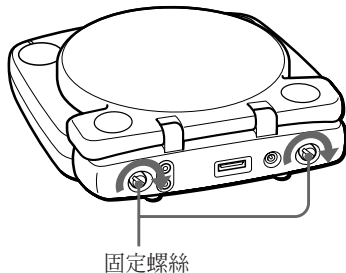
第一次使用液晶顯示器前，請一定要拿掉液晶畫面上的保護膠模。

1 將液晶顯示器連接至 PS one™ 主機。

將液晶顯示器上的 AV MULTI (AV 多重) 連接端和電源連接端插入主機上的 AV MULTI OUT (AV 多重輸出) 端子和  DC IN 7.5V 電源端子插孔，連接液晶顯示器和 PS one™ 主機。



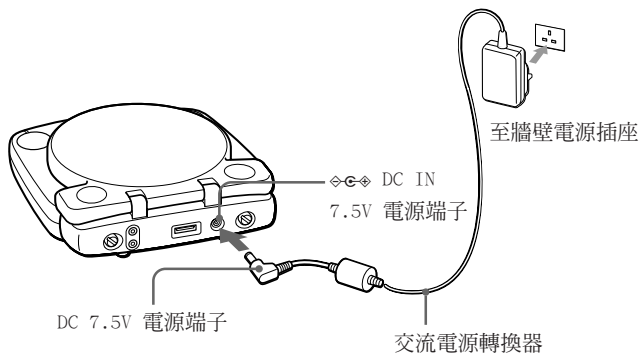
2 用硬幣等鎖緊液晶顯示器背面的固定螺絲。



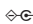
注意事項

- 請勿使用螺絲起子等工具。
- 請勿將固定螺絲鎖得過緊，否則可能會損壞螺絲或導致主機故障。

- 3** 將附屬品的交流電源轉換器的 DC 7.5V 電源端子插入液晶顯示器背面的  DC IN 7.5V 電源端子插孔，然後將插頭插入電源插座。

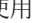


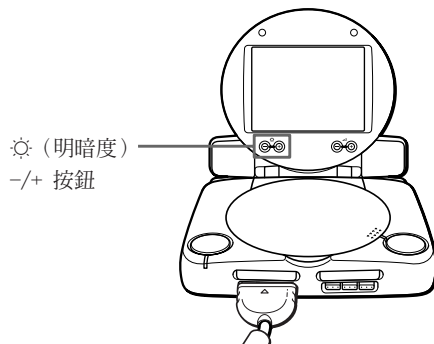
注意事項

- 請務必將附屬品的交流電源轉換器之 DC 7.5V 電源端子牢牢地插入液晶顯示器背面的  DC IN 7.5V 電源端子。DC 7.5V 電源端子若在使用中發生鬆弛或掉落等現象，可能會損壞液晶顯示器。
- 請整齊放置 PS one™ 主機及其連接線，以免被踩到或與其他物品混淆。

您可以使用 PS one™ 專用液晶顯示器遊玩 PS one™ 的遊戲。啓動 PS one™ 主機時，將連帶啓動液晶顯示器。

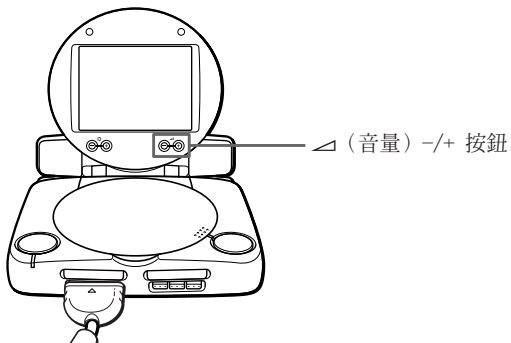
調整液晶畫面的明暗度

您可使用顯示器保護蓋上的  (明暗度) -/+ 按鈕調整液晶畫面的明暗度。並透過螢幕顯示，確認目前的設定數值。



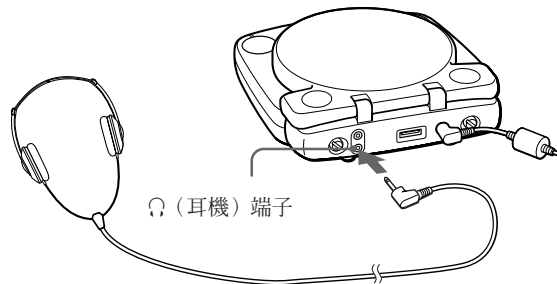
調整音量

您可使用顯示器保護蓋上的 \triangle （音量）-/+ 按鈕調整立體聲喇叭和耳機（選購品）的音量。並透過螢幕顯示，確認音量大小。



將耳機連接至液晶顯示器

您可在 PS one™ 專用液晶顯示器上使用耳機（選購品）收聽音樂。將耳機的連接端子插入液晶顯示器背面的 Ω （耳機）端子插孔。若有必要，您可按 \triangle （音量）-/+ 按鈕調整音量。

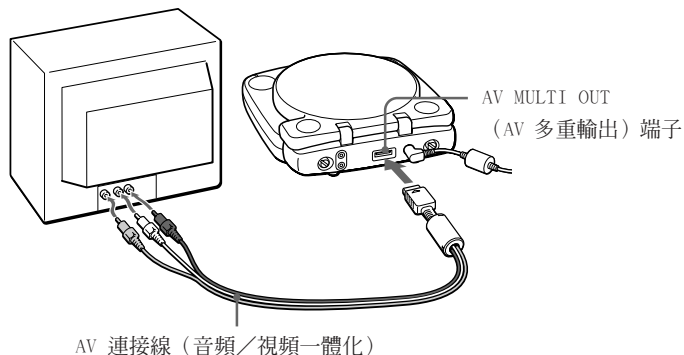


注意事項

在液晶顯示器上使用耳機時，請務必在開始播放前將音量調到最低，然後再配合自己的喜好需要，逐漸調高音量。

即使已經連接 PS one™ 專用液晶顯示器，您仍然可以使用電視機玩遊戲。

使用 PS one™ 主機附屬品的 AV 連接線（音頻／視頻一體化），透過液晶顯示器背面的 AV MULTI OUT（AV 多重輸出）端子連接主機和電視機。

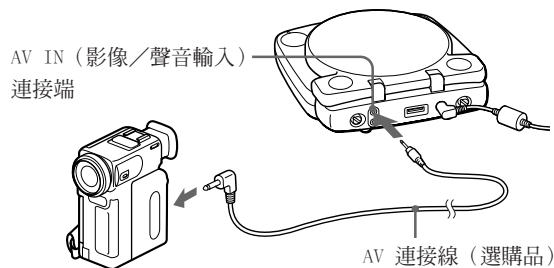


連接方法

有關連接主機和電視機的詳細說明，請參閱 PS one™ 主機的使用說明書和電視機的使用說明書。

您可以透過液晶顯示器連接 PS one™、攝錄放影機等機器，利用 PS one™ 專用液晶顯示器欣賞其他影像。連接各種數碼影像家電時所使用的接線都不盡相同。請於確認端子形狀後，正確連接。

使用 AV 連接線完成連接後，液晶顯示器會自動偵測影像信號。您只需選擇攝錄放影機的播放按鈕，即可立即觀賞到液晶畫面上的影像。



連接方法

有關主機和其他家電的詳細說明，請參閱攝錄放影機等的使用說明書和 AV 連接線的說明書。

注意事項

即使透過液晶顯示器連接 PS one™ 主機和電視機，您仍然無法在電視機畫面上觀賞到攝錄放影機等的播放影像。

在使用 PS one™ 專用液晶顯示器時，如果操作上遭遇到困難，請閱讀下面的文章，以便找到問題的可能原因。

- ① 如果您遭遇到下列困難，請在送去修理之前，閱讀以下的故障檢修指南，以方便您解決問題或恢復正常操作。如果問題無法解決，請就近與保證書上記載的消費者服務中心聯繫。
- ② 請檢查交流電源線是否正確連接在主機上，插頭並確實插在牆壁插座上。

症狀

電源

無法接通電源。

- ➔ 確認交流電源線是否正確連接在液晶顯示器上。
- ➔ 請使用附屬品的交流電源轉換器。


畫面

畫面出現雜痕。

- ➔ 擦拭光碟。
- ➔ 確認光碟沒有破損或裂痕。
- ➔ 把本機放在平穩地方後使用。

聲音

無聲。

- ➔ 將耳機（選購品）連接在液晶顯示器時，將無法收聽到立體聲喇叭發出的聲音。如果您要透過立體聲喇叭來收聽聲音的話，請將耳機從液晶顯示器上拔下。
- ➔ 確認耳機的端子是否已經牢靠插入液晶顯示器。如果您要通過耳機來欣賞耳機詮釋出的環繞音效時，請將耳機牢靠地插入液晶顯示器背面的 （耳機）端子。
- ➔ 調節音量。

出現噪音。

- ➔ 擦拭光碟。
- ➔ 確認光碟沒有破損或裂痕。
- ➔ 把本機放在平穩地方後使用。

所連接的數碼影像家電無聲、無畫面。

- ➔ 檢查是否已用 AV 連接線（選購品）正確連接兩台機器。

一般規格

電源

⚡ DC IN 7.5 V
(220V 交流電, 60 Hz)

功率消耗

6.8 W (不包括 PS one™ 主機)

尺寸 (約)

182 × 186 × 34 mm (寬/高/長)
(此數值是在開啓到最大角度測量的。)

重量 (約)

335 g

操作溫度

5°C-35°C

螢幕尺寸

5 inch ; 101.6 × 76.2 mm, 127 mm
(5 英寸) (寬 × 高, 對角線)

顯示

穿透型 TN 液晶顯示面板

液晶顯像

TFT、主動陣列 LCD

喇叭

40 × 28.5 mm, 橢圓形喇叭

輸入/輸出

輸入

AV IN (影像/聲音輸入) 連接端
(微型連接端)
⚡ DC IN 7.5V 電源端子

輸出

AV MULTI OUT (AV 多重輸出) 端子
🎧 (耳機) 端子
0.1 W (EIAJ/32Ω)
(最大輸出功率)

附屬品

參考第 7 頁的說明。

選購品


SCPH-110 / 類比控制器
(DUALSHOCK)
SCPH-1020 G / Memory Card
(記憶卡)
SCPH-1070 G / (對戰)多重連接器
SCPH-10060 G / S 視頻連接線
SCPH-170 / 汽車用充電器


本公司保留在無預警情況下, 變更設計或規格之權利。

- 請參考附在主機盒內，適用各國家、各地區，接受保證維修前的必要保證書。



“” and “PlayStation” are registered trademarks and “PS one” is a trademark of Sony Computer Entertainment Inc.

“Sony” and “” are registered trademarks of Sony Corporation.

“” 和 “PlayStation” 是 Sony Computer Entertainment Inc. 的註冊商標，“PS one” 則為該公司之商標。

“SONY” 和 “” 為 Sony Corporation 之註冊商標。