

Viking Professional Coffee Maker

Use and Care Instructions



vikingrange.com



Professional Coffee Maker
VCCM12

Congratulations! You have just purchased a Viking Professional Coffee Maker. The professional grade coffee maker offers a heavy duty look and feel, but may be used for making gourmet coffee. This unit offers a variety of features, a Sure-Temp™ brewing system, cup select, programmable brewing, and a 12 cup thermal stainless steel carafe.



Table of Contents

5	Important Safeguards
6	Using your Viking Coffee Maker
8	Installing the carbon water filter
9	Preparing the unit for use
9	Setting the clock time
10	Setting the programmed time
11	Brewing Options
12	Brewing Instructions
13	Cleaning Instructions
13	Serving
13	Removing calcium buildup
14	Troubleshooting
14	Helpful Hints
15	Warranty

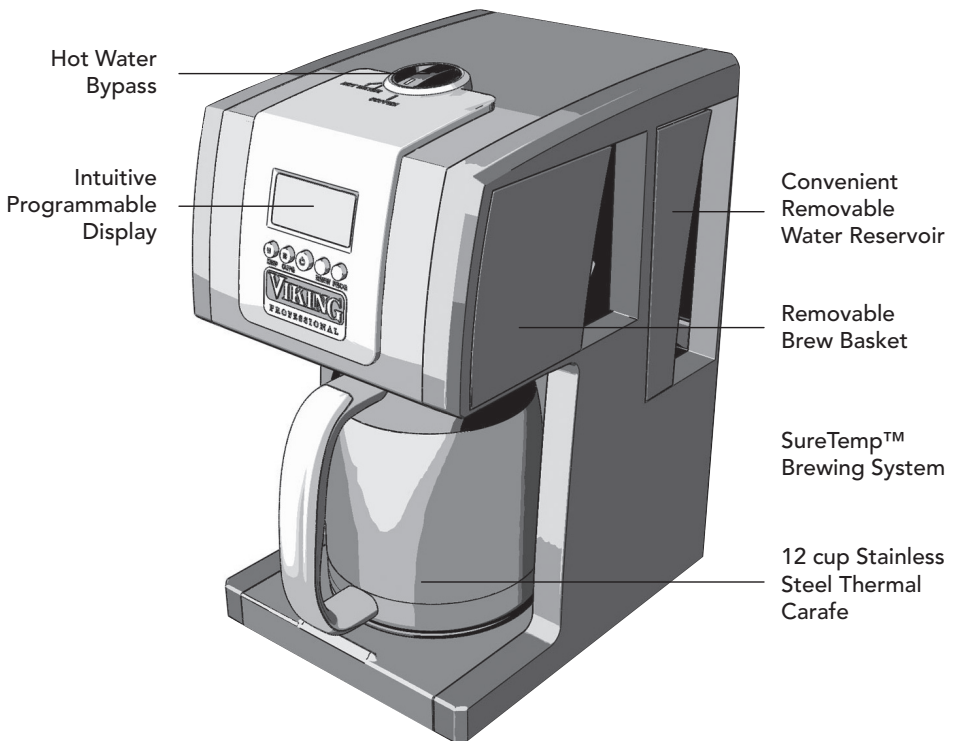
IMPORTANT SAFEGUARDS

When using electrical appliances, consideration should always be given to basic safety precautions including the following:

- Read all instructions.
- Do not touch hot surfaces
- Do not place on or near a hot gas or electric burner, or in a heated oven.
- To disconnect, turn off; then remove plug from wall outlet.
- Do not place cord, plugs, or brewer in water or any other liquid.
- This appliance should not be used by children, and care should be taken when operated near children.
- Unplug from outlet when not in use and before cleaning. Allow to cool before putting on or taking off parts and before cleaning the appliance.
- Do not operate the coffee maker with a damaged cord or plug or after the coffee maker malfunctions or has been damaged in any manner. Please call 1-800-216-5775 to speak with the Viking Culinary Warranty and Service Center.
- The use of an accessory not evaluated for use with this coffee maker may cause fire, electric shock, or other possible injury.
- Do not use outdoors.
- Do not let cord hang over edge of table or counter, or touch hot surfaces.
- This coffee maker is for household use only; it is not intended or warranted for commercial use.
- Do not use coffee maker for anything other than its intended use.
- Do not remove filter basket while brewing.
- The carafe is designed for use with this coffee maker only. It must never be used on a range top or in a microwave.
- Do not use a carafe with a cracked, loose, weakened or damaged handle.
- Do not clean carafe with cleansers, steel wool pads, or other abrasive materials.
- Allow brew basket to drain before removing to avoid scalding.
- Using permanent filters with paper filters may cause the brew basket to clog or possibly overflow.
- Screw lid securely onto carafe before brewing and one-half turn before serving any beverages.
- To protect against fire, electrical shock and injury to persons, do not immerse cord, plug or appliance in water or liquid.
- Any service to the unit should be performed by an authorized Viking Range Corporation service agent or representative.
- Do not pour liquids, other than water and/or descaling solution specified in this manual, into water reservoir.



Using Your Viking Coffee Maker



Hot Water Bypass

Intuitive Programmable Display

Convenient Removable Water Reservoir

Removable Brew Basket

SureTemp™ Brewing System

12 cup Stainless Steel Thermal Carafe

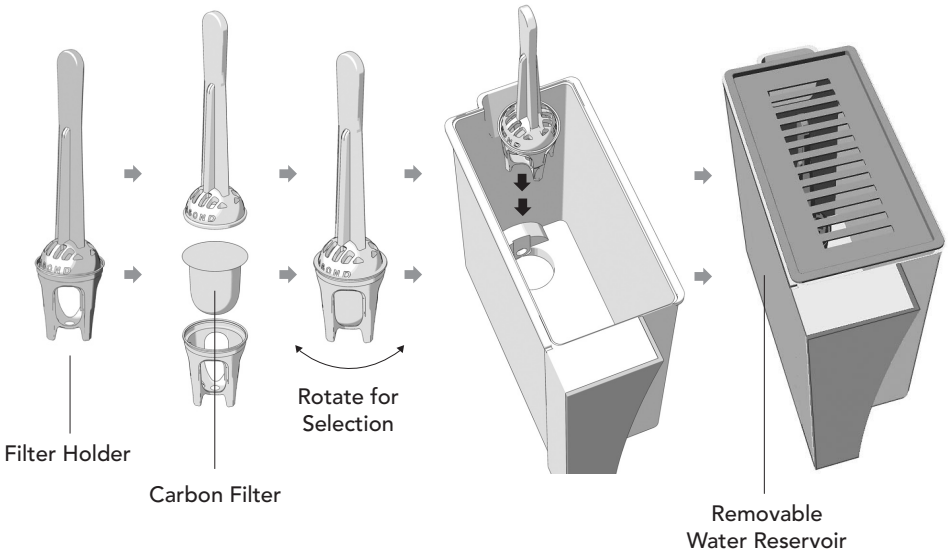
SAVE THESE INSTRUCTIONS

Installing the carbon water filter

Detach the filter holder and remove the carbon water filter from the packaging in water reservoir. Soak the filter in cold water for approximately 10 minutes (this is only necessary with new filters being used for the first time). Place the carbon water filter inside the holder and secure. Place the filter holder inside the water reservoir in the molded, circular retainer. The carbon water filter should be changed every 3 months for optimal taste or more frequently (as specific conditions may dictate.) Carbon water filters are available from your local dealer, service center (1-800-216-5775), or at vikingrange.com.

The first letter of each month is molded on the filter holder, and may be selected as a reminder to change the carbon filter when required depending on the hardness of the water. See illustration below.

The filter should be used at all times to enhance the flavor of your coffee, as well as remove some impurities from water. The filter may need to be changed more frequently when used in areas with hard water. Your panel will display “**dcl**” when descaling is needed. A clogged filter will slow down the flow of water and damage the unit.



Preparing the unit for use

- Locate unit on a solid, level countertop near an electrical supply. Plug unit into electrical outlet. Place empty carafe on the designated deck, under spray head. Carafe lid must be securely closed for coffee maker to function properly.
- The system **must be primed only when the coffee maker is used for the first time**. The following are the instructions for priming:
 - Remove the water reservoir on the right side of the coffee maker; fill with cold water to the max fill line. Replace water reservoir into the unit.
 - LCD will show "PRI" and flash to alert user unit must be primed.
 - Press both the DISP and PROG button simultaneously. Release and the pump will come on, approximately two cups of water will be pumped into the boiler and into the carafe. The carafe icon is on to indicate priming in progress.
 - The pump will automatically stop. The unit will go back to stand by mode.
 - Empty and clean carafe of any water.
 - You are now ready to begin brewing.
 - Brew only water the first time to thoroughly clean the unit before brewing coffee. You will notice the pump running intermittently.
 - The coffee maker will not properly brew if unit is not primed correctly.

Setup Instructions

Please read these setup instructions before using this coffee maker.

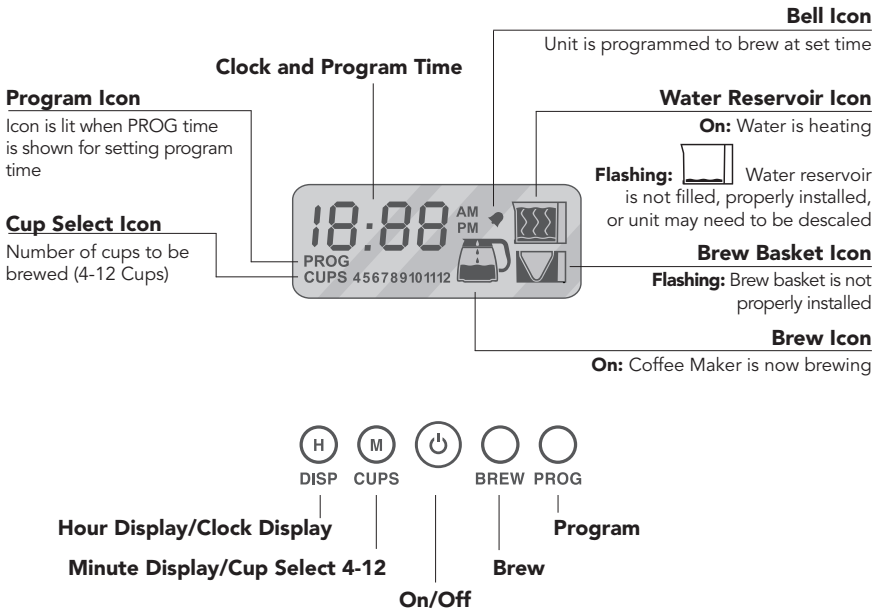
Failure to follow the instructions may result in injury or voiding of manufacturer's warranty.

Setting the clock time

Plug coffee maker into electrical outlet. Press the Hour (H) and Minute (M) button simultaneously to activate the clock setting mode. Press Hour (H) button to set hour and Minute (M) button to set minute. Either button may be held down to advance rapidly. To confirm time press the Hour (H) and Minute (M) buttons simultaneously, release them, press the ON/OFF button, or leave with no key touch for 30 seconds.

Setting the programmed time

- Press the PROG (Program) button once until the PROG display appears.
- Press the CUPS button until the desired number of cups is reached.
- Press the PROG button once until the Bell icon 🔔 is displayed.
- Press Hour (H) or Minute (M) button to set the desired program time. If buttons are held down this will cause fast advance of hour and minute display.
- Press the PROG button again, bell icon on and PROG icon off. Hour and Minute display will go back to clock display.
- The Bell icon will be displayed to indicate program mode has been activated.
- When this time is reached, the heater will heat the water, the pump will start to cycle, and brewing automatically begins at the designated time.
- To discontinue the program feature, simply press the PROG button until the Bell icon disappears.
- The clock program time must be reprogrammed after power is lost, due to a power outage, or being unplugged.



Note: If icons continue to blink, the parts are not properly installed and must be removed and properly replaced before brewing begins.

Brewing Options

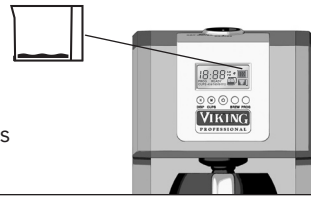
1

Cup Select may be used for cups 4-12. Cup size is approximately 5 oz.



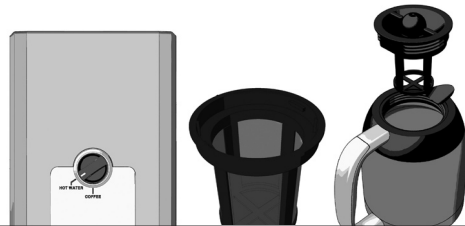
2

The Reservoir icon will flash when the water reservoir is either empty or not properly installed. If coffee maker runs out of water while brewing, fill reservoir, replace and press ON/OFF button to set remaining cups to be brewed. Press BREW button to continue brewing.



3

Hot tea and hot water may also be brewed. Firmly seat the knob on the top of the unit to the desired setting. The Hot Water setting bypasses the filter basket. The tea basket attached to head of carafe may be used for tea making. Tea bags or leaves may be inserted into the optional basket attached to the head of the carafe. When using the tea basket, brew only four to ten cups.



4

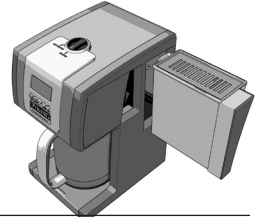
BrewBreak™ stops the coffee flow from the brew basket into the carafe for a short period. When the carafe is removed, BrewBreak™ may be used to pour a cup of coffee before the whole carafe is brewed. **The carafe must be replaced within 20 seconds after removal** or coffee will overflow in the brew basket. The carafe must be replaced under the spray head for continued brewing. **Note: BrewBreak™ is not functional during the hot water bypass feature.**

Please note: Pump will cycle on and off during brewing cycle.

Brewing Instructions

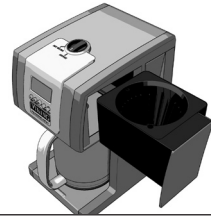
1

Remove the water reservoir on the right side of the coffee maker; fill with water to the "max" fill line. Replace water reservoir into the unit.



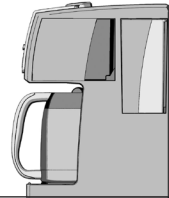
2

Remove the brew basket from the coffee maker. Insert the proper filter. The permanent or #4 paper cone filter may be used. Add coffee. Do not use a paper filter and permanent filter simultaneously, this may cause an overflow.



3

Replace the brew basket into the unit. Make sure the carafe lid is securely screwed on and place the empty carafe under the spray head.



4

Press ON/OFF then the cup SELECT button to select the number of cups to be brewed. **Press** the BREW button to begin brewing. The unit will begin heating and please allow several minutes before brewing begins. When brewing is complete, the unit will turn off and only the clock will display.



Cleaning Instructions

Hand wash the carafe, removable water reservoir, and filter basket in hot, soapy water. Dry thoroughly. When cleaning carafe, user should thoroughly rinse both the carafe and the carafe lid. Wipe unit with a damp cloth and avoid using harsh cleaners. Placing parts/accessories in the dishwasher is not recommended.

Serving

For serving coffee, from the closed ● position half turn counterclockwise to the open ○ position on the carafe lid. Close carafe by turning clockwise to the closed ● position to allow heat to stay contained. Turning the lid past the recommended open position may result in over pour or spill.

Caution, will be very hot, steam may rise when opening.



Removing calcium build-up

Calcium deposits from water may build-up in your Viking Professional Coffee Maker and should be removed to maintain brewing efficiency and coffee quality. As a rule, calcium build-up should be removed every two to three months. Local water conditions or more frequent use of coffee maker may require more frequent calcium removal.

- Fill carafe one quarter full of vinegar, and then add cold tap water to the top. Pour the water/vinegar mixture into water reservoir. Replace reservoir into unit.
- Place the empty carafe under the spray head and follow regular brewing instructions. After the water/vinegar mixture has been cycled through, turn the machine off.
- Rinse by cycling two to three more carafes of plain cold tap water or until vinegar is gone.
- Do not pour any liquid other than cold tap water with vinegar into water reservoir while cleaning.



When "dcl" is shown on screen, descaling must be performed. Failure to descale may damage unit and void warranty.

Once decalcification has been completed and coffee maker has been flushed with clear water, the flashing "dcl" can be removed from the display by pressing and holding the BREW button.

Troubleshooting

- If water reservoir icon is flashing the unit may need to be descaled. See page 13.
- The water or brew basket icon appears and flashes. The flashing unit indicates which part is not properly installed. Detach and reattach to unit.
- The overflow of water may occur if the user a) uses more than one paper filter b) uses too finely ground coffee, c) uses a permanent filter with a paper filter, d) unit is not properly cleaned, e) carafe has been removed during brewing (see page 11). If this happens, never remove the filter basket while brewing. Turn the machine off and unplug. Wait 15 minutes for the unit to cool and remove the filter basket and empty the grounds and filters.
- If the coffee maker is left in areas that may be subjected to freezing temperatures (such as vacation home), before brewing make sure the unit is brought to a temperature above freezing for at least 1 hour.
- When the coffee maker is used in areas of high altitudes, the water temperature will be less than normal. The temperature of the water will decrease as the altitude increases.
- If “**dcl**” is shown on the display, please descale unit before continuing operation. See page 13.



Helpful Hints

- Rinse the carafe with hot water before use. This heats the carafe and will help keep the coffee warmer longer.
- Never use more than 16 tablespoons (3 oz./84g by weight) of coffee in the paper or permanent filter. This may cause overflow in the brew basket.
- Always fill the water reservoir to the “MAX” fill line before brewing.
- When using the Hot Water bypass feature and tea basket for tea-making, users may need to purchase a separate carafe.

One-Year Full Warranty

Viking Professional Coffee Makers/attachments/accessories are warranted to be free from defective materials or workmanship in normal household use for a period of one year (12 months) from the date of original retail purchase. Viking Range Corporation, warrantor, agrees to repair or replace, at its option, any coffee maker which fails or is found to be defective during the warranty period.

Painted and decorative items are warranted to be free from defective materials or workmanship for a period of ninety (90) days from the date of original retail purchase. Any defects must be reported to Viking Range Corporation (1-800-216-5775) within ninety (90) days from date of original purchase. Viking Range Corporation uses the most-up-to-date processes and best materials available to produce all color finishes. However, slight color variation between units may be noticed because of differences in kitchen lighting, product locations, and other factors.

This warranty shall apply to products purchased and located only in the United States. Products must be purchased in the country where service is requested. Warranty labor shall be performed by an authorized Viking Range Corporation service agency or representative. Warranty shall not apply to damage resulting from abuse, accident, natural disaster, and loss of electrical power to the product for any reason, alteration, outdoor use, improper operation or repair or service of the product by anyone other than an authorized Viking Range Corporation service agency or representative. Warranty shall not apply for service failures resulting from the use of water having high mineral content, and/or any liquid other than water which is placed in the water reservoir and cycled through the system. This warranty does not apply to commercial usage. Warrantor is not responsible for consequential or incidental damage whether arising out of breach of warranty, breach of contract, or otherwise. Some jurisdictions do not allow the exclusion or limitation of incidental or consequential damages, so the above limitation or exclusion may not apply to you.

The return of the Owner Registration Card is not a condition of warranty coverage. You should, however, return the Owner Registration Card so that Viking Range Corporation may contact you should any question of safety arise which should affect you.

To arrange for (warranty) service, simply contact Viking Range Corporation by calling 1-800-216-5775, 8:30 A.M. to 5:00 P.M. (Central Standard Time) Monday thru Friday. If you prefer, you may write: Viking Range Corporation, P.O. Box 956, Greenwood, Mississippi (MS) 38935. The following information will be required: date of original purchase (a copy of sale receipt), model and serial numbers (located on bottom of unit), and a brief description of what has occurred with the product.



Viking Range Corporation
111 Front Street
Greenwood, Mississippi 38930 USA
(662) 455-1200

For product information,
call 1-888-VIKING1 (845-4641)
or visit the Viking website at
vikingrange.com



© 2011, Viking Range Corporation
Specifications subject to change without notice.