



Owner's Manual

AGILA

Operation, Safety and Maintenance



VAUXHALL Agila

Owner's Manual

Data specific to your vehicle

Please enter your vehicle's data here to keep it easily accessible.

This information is available under the section "Technical data" as well as on the vehicle identification plate and in the Service Booklet.

Fuel

Designation

Engine oil

Grade

Viscosity

Tyre pressure

Tyre size
Summer tyres

Tyre pressure 3 persons
Front Rear

with full load
Front Rear

Winter tyres

Front Rear

Front Rear

Weights

Permissible Gross Vehicle Weight

- EC kerbweight

= Loading

Your Agila

Developed in accordance with the latest findings of vehicle research, it offers technical sophistication and exceptional comfort. Your vehicle represents an intelligent synthesis of advanced technology, outstanding safety, environmental compatibility and economy in operation.

It now lies with you to drive your vehicle safely and to see it performs perfectly.

This Owner's Manual provides you with all the necessary information to that end.

Make sure your passengers are aware of the possible risk of an accident and injury which may result from improper use of the vehicle.

The Owner's Manual should always be kept in the vehicle: ready to hand in the glove compartment.

Make use of the Owner's Manual:

- z Its "In brief" section will give you an initial overview.
- z The table of contents at the beginning of this owner's manual and within the individual chapters will show you where everything is.
- z Its index will help you find what you want.
- z It will familiarise you with the sophisticated technology.
- z It will increase your pleasure in your vehicle.
- z It will help you to handle your vehicle expertly.

The Owner's Manual is designed to be clearly laid-out and easily understood.

This symbol signifies:

6 Continue reading on next page.

3 The asterisk signifies: equipment not fitted to all vehicles

(model variants, engine options, models specific to one country, optional equipment, Genuine Vauxhall Parts and Accessories).

⚠ Warning

Text marked **⚠ Warning** provides information on risk of an accident or injury. Disregard of the instructions may lead to injuries or endanger life. Inform your passengers accordingly.

Yellow arrows in the illustrations serve as points of reference or indicate some action to be performed.

Black arrows in the illustrations indicate a reaction or a second action to be performed.

Thank you for choosing a Vauxhall. We wish you many hours of pleasurable driving.

Your Vauxhall Team

Contents

Commitment to customer satisfaction:

Our aim: to keep you happy with your vehicle. All Vauxhall Authorised Repairers offer first class service at competitive prices. Experienced, factory-trained technicians work according to factory instructions. Your Authorised Repairer can supply you with GENUINE VAUXHALL-APPROVED PARTS, which have undergone stringent quality and precision checks, and of course useful and attractive VAUXHALL-APPROVED ACCESSORIES.

Our name is your guarantee!

For details of the

Vauxhall Authorised Repairer Network please ring this number; 01582 - 427200

In Brief	2
Instruments	18
Keys, Doors, Bonnet	28
Seats, Interior	39
Safety systems	50
Lighting	66
Windows, Sun roof	69
Climate control	72
Driving Hints	82
Saving fuel, Protecting the environment	84
Fuel consumption, Fuel, Refuelling	86
Catalytic converter, Exhaust gases	88
Brakes	92
Wheels, Tyres	96
Roof racks, Caravan and trailer towing	102
Self-help	106
If you have a problem	128
Maintenance, Inspection System	130
Vehicle care	140
Technical Data	144
Index	158

In Brief

Key numbers, Code numbers

Remove key number from keys.

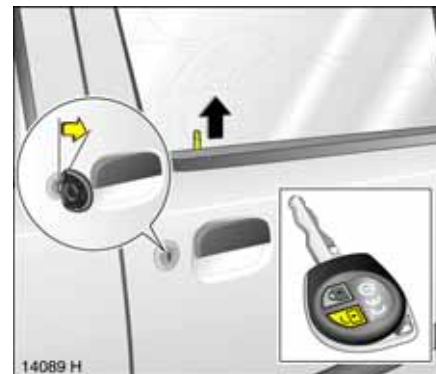
The key number is specified in the vehicle documents and in the Car Pass 3.

Alloy wheels 3: make a note of the key identifier code.

Electronic immobiliser, infotainment system 3: The code numbers are specified in the Car Pass.

Do not keep the Car Pass in the vehicle.

6 Further information – pages 28, 29, vehicle recommissioning – page 139.



**To unlock the vehicle and open the doors:
With key in lock
turn key towards front of
vehicle or
press button c on the remote
control 3,
pull door handle and open door**

Radio remote control 3: Press button c once - only driver's door is unlocked; press button c twice - all doors are unlocked.

To unlock the doors from inside:
Pull up on lock button.

6 Door locks – page 30,
electronic immobilizer – page 29,
radio remote control 3 – page 31,
central locking system 3 – page 33,
anti-theft locking system 3 – page 33.

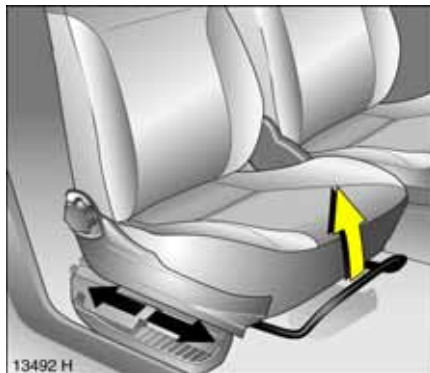


13471 H

To unlock and open the luggage compartment:
Turn the key anticlockwise to horizontal position and back to the vertical position

Alternatively press button c on the remote control 3 twice, press button and open tailgate

6 Mechanical unlocking – page 30,
radio remote control 3 – page 31,
central locking system 3 – page 33,
tailgate – page 30.

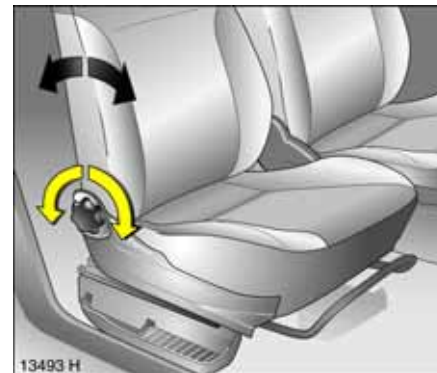


13492 H

Front seat adjustment:
Pull handle,
slide seat,
release handle,
audibly engage seat in position

Never adjust the seat while driving. It could move in an uncontrolled manner when the handle is pulled.

6 Seat position – page 39,
storage tray under seat 3 – page 46.



13493 H

To adjust the front seat backrest:
Turn the handwheel

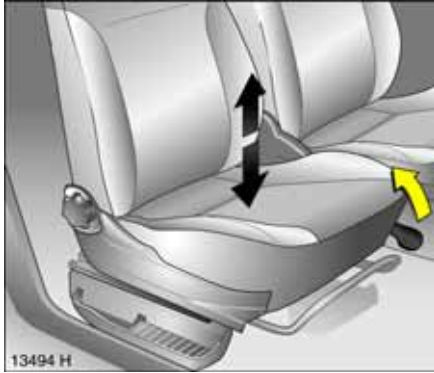
Move seat backrest to suit seating position.

Do not lean on seat backrest whilst adjusting it.

6 Seat position – page 39,
folding the front passenger seat – page 42.

9 Warning

Do not sit nearer than 10 inches (25 cm) from the steering wheel, to permit safe airbag deployment.



**To adjust height 3 of front seat:
Pull lever on side**

Lift lever and relieve some weight from seat to raise it or press down on seat with body weight to lower it.

Never adjust the seat while driving. It could move in an uncontrolled manner when the handle is pulled.

6 Seat position – page 39.



**To adjust the height of front seat head restraints:
Tilt forward to unlock, hold firmly and adjust height, release**

6 adjusting rear seat head restraints – page 40,
head restraint position – page 39,
head restraint removal – page 39.



**Adjusting interior mirror:
Swivel mirror housing**

Swivel lever on underside of mirror housing to reduce dazzle at night.

9 Warning

Do not sit nearer than 10 inches (25 cm) from the steering wheel, to permit safe airbag deployment.



To adjust exterior mirrors:
Manually - press edge of relevant mirror;

Electrically 3 - using four-way switch in driver's door

Four-way switch 3: Move rocker switch to the left or right - the four-way switch adjusts the corresponding mirror.

The exterior mirrors can be retracted (e.g. when parking in tight spaces) through slight pressure on the mirror housing.

Reposition the mirrors before starting off.

6 Further information – page 65.

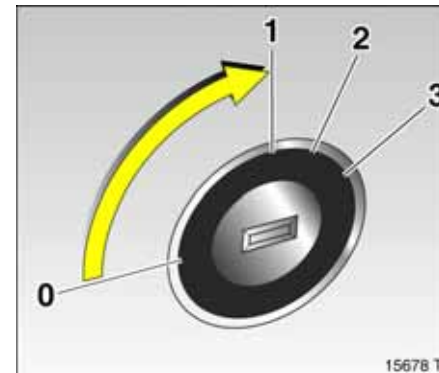


Fitting seat belt:
Draw seat belt smoothly from inertia reel, guide over shoulder and engage in buckle

The belt must not be twisted at any point. The lap belt must lie snugly against the body. The backrest must not be tilted back too far (recommended tilting angle approx. 25°).

To release belt, press red button on belt buckle.

6 Seat belts – pages 50, 52,
 airbag systems 3 – page 56,
 seat position – page 39.



Disengaging steering column lock:

To release the lock, move the steering wheel slightly and turn the key to position 1

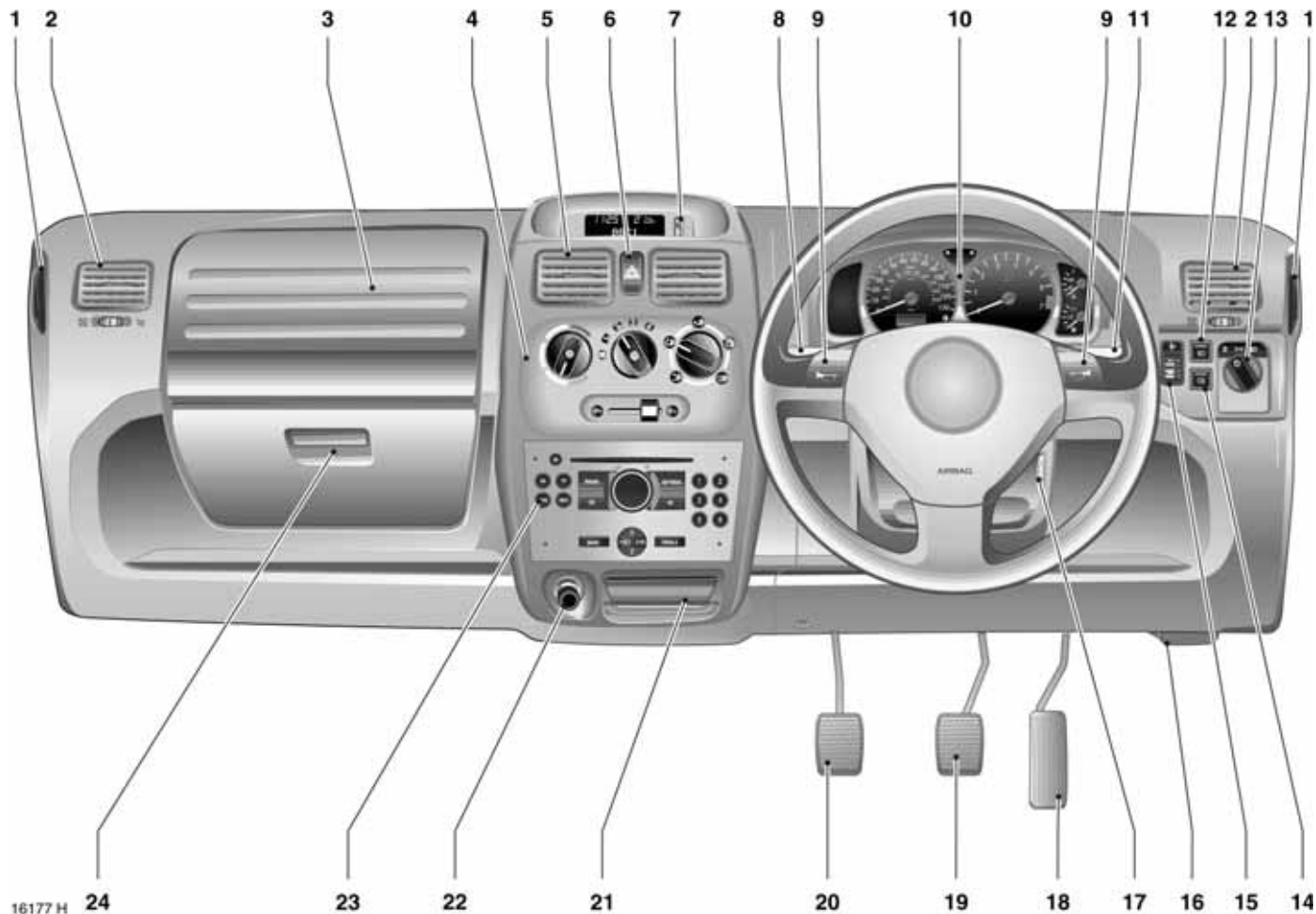
Positions:

0 = Ignition off

1 = Steering released, ignition off

2 = Ignition on,

Starting – page 15,
 electronic immobiliser – page 29.
 Remove key and lock steering wheel –
 page 16.



	Page
1 Door window defroster vents	73
2 Side air vents	73
3 Front passenger airbag 3	57
4 Heating and ventilation system, air conditioning system 3	72
5 Centre air vents	73
6 Hazard warning lights.....	11
7 Display for time, date, outside temperatures, infotainment system 3	24
8 Turn signal, headlight flash, dipped beam, main beam	10, 11
9 Horn	11
10 Instruments.....	18
11 Windscreen wiper, windscreen washer system, rear window washer system 3	12
12 Fog lights 3	67
13 Light switch	10, 66
14 Fog tail light	67
15 Headlight range adjustment 3.....	67
16 Bonnet release lever	37
17 Ignition switch with steering column lock (hidden) ..	5
18 Accelerator pedal	82
19 Brake pedal	92
20 Clutch pedal	83

	Page
21 Ashtray 3	49
22 Cigarette lighter 3	49
23 Infotainment system 3	26
24 Glove compartment with cover 3 .	47

Control indicators

- S** Engine oil level 3:
see pages 18, 132.

- EPS** Electronic power steering 3:
see page 18.

- A** Engine electronics,
immobilizer,
fault
see pages 19, 29, 90.

- Z** Exhaust emission:
see pages 19, 89.

- O** Turn signal lights:
see page 19.

- C** Main beam:
see pages 10, 19, 66.

- U** Anti-lock brake system 3:
see page 94.

- R** Brake system:
see pages 20, 136.

- P** Alternator:
see page 20.

- I** Engine oil pressure:
see page 21.

- Y** Fuel level:
see pages 21, 23, 87.

- V** Airbag systems 3,
belt tensioners:
see pages 51, 60.

Lighting

- Light switch,
stalk positions:
see page 66,

- 7** Lights off,

- 8** Parking lights,

- 9** Dipped beam, main beam,

- O** Courtesy light:
see page 68.

- >** Fog lights 3:
see page 67.

- r** Fog tail light:
see page 67.

- C** Main beam:
see pages 10, 19, 66.

- O** Turn signal lights:
see page 19.

- ?** Headlight range adjustment 3:
see page 67.

- ..** Hazard warning lights:
see page 11.

Climate control

- X **Air flow:**
see page 75.
- Air distribution:**
see page 75,
- K to foot well,
- J to windscreen, front door windows and foot well,
- V to windscreen and front door windows,
- M to head area above adjustable air vents,
- L to head area above adjustable air vents and to foot well.
- Ü **Heated rear window:**
see page 74.
- 4 **Air recirculation system:**
see page 74.
- 5 **Outside air intake:**
see page 74.
- n **Air conditioning system 3:**
see page 78.

Windscreen wipers

- Stalk positions:**
see page 12,
- § Off,
- \$ Timed interval wipe,
- % Slow,
- & Fast

Date, time, information display, infotainment system

- Triple information display 3:**
see page 24,
- Ö On button for date and time
- ; Setting buttons for date and time

Miscellaneous

- e **Central locking system with remote control 3**
locking – see page 33.
- C **Central locking system with remote control 3**
unlocking – see page 33.
- m **Central locking switch 3:**
see page 34.
- j **Horn,**
see page 11.



Light switch:

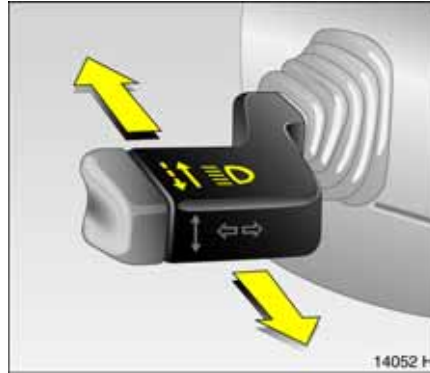
- 7 = Off
- 8 = Parking lights
- 9 = Dipped beam or main beam

Pull 0 = Courtesy light

Press > = Fog lights 3

Press r = Fog tail light

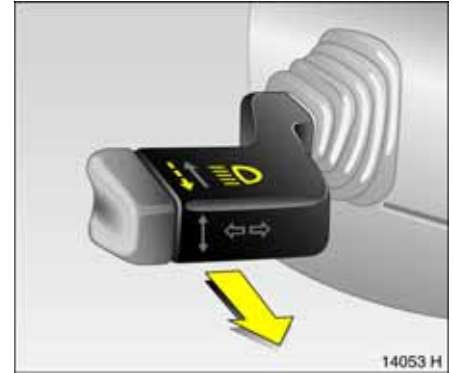
6Further information – page 66,
head light warning device – page 15,
head light range adjustment 3 – page 67,
daytime running lights 3 – page 66.



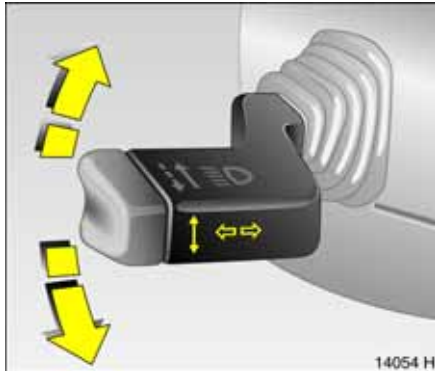
Main and dipped beam switch:

- Main beam = Push stalk forward
- Dipped beam = Pull stalk toward steering wheel

The blue control indicator C is illuminated when main beam is on.



Headlight flash:
Pull stalk towards steering wheel



Operating turn signal lights:

Lever in rest position

Right turn = Upwards

Left turn = Downwards

When the steering wheel is turned back, the lever automatically returns to its original position. This will not happen when making a minor steering manoeuvre such as changing lane.

When lane changing, move lever to resistance point. When released, the lever will spring back.



Hazard warning lights:

On = Press

Off = Press again

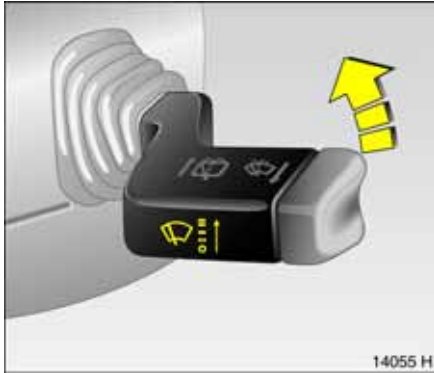
When the button is pressed, its control indicator flashes in time with the hazard warning lights.



Horn operation:

Press j

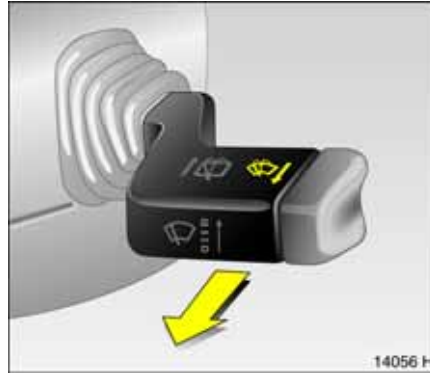
6 Airbag systems 3 – page 56.



Windscreen wipers:

Move stalk up

- § = Off
- \$ = Timed interval wipe
- % = Slow
- & = Fast



Operating windscreen washer system:

Pull stalk towards steering wheel

The wipers will swipe for a few strokes.

6 Further information – page 137.



To operate rear window wiper and washer systems:

- Wiper on** = Push stalk forward
- Wiper off** = Pull stalk towards steering wheel
- Washer** = Push stalk forward and hold

6 Further information – page 137.



To clear misted or icy windows:
Turn the rotary switches for
temperature and
quantity of air clockwise,
set air distribution to ∇

To switch on the
air conditioning 3,
pull temperature switch η

Open side air vents as necessary and direct
them towards the door windows.

6 Climate control – page 72,
air conditioning system 3 – page 78.



Heated rear window:

On = Pull fan switch \cup

Off = Press fan switch \cup

Switch off as soon as rear vision is clear.

6 Further information – page 74.



Manual transmission

Engaging reverse gear on vehicles with release ring on gear lever: with vehicle stationary, 3 seconds after depressing the clutch pedal lift ring, move gear lever to the left and engage gear.

Engaging reverse gear on vehicles without release ring on gear lever: with vehicle stationary, 3 seconds after depressing the clutch pedal move gear lever to the right and engage gear.

If the gear does not engage, set the lever in neutral, release the clutch pedal and depress again; then repeat gear selection.



Exhaust gases are poisonous

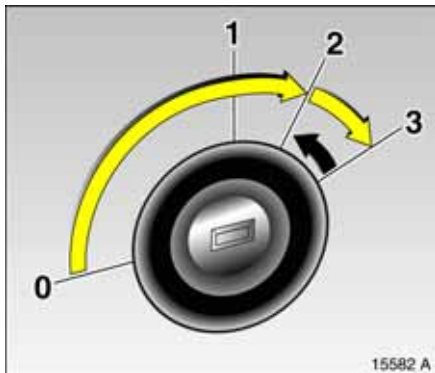
Exhaust gases contain carbon monoxide, which is extremely poisonous but is odourless and colourless.

Therefore never inhale exhaust gases, and never run the engine in an enclosed space.

Also avoid driving with the luggage compartment open. Otherwise exhaust fumes could penetrate the vehicle interior.

Before starting off, check:

- z Tyre pressure and condition - see pages 98, 152.
- z Engine oil level and fluid levels in engine compartment – see pages 131 to 137.
- z All windows, mirrors, exterior lighting and number plates are free from dirt, snow and ice and operational.
- z Do not place any objects in front of the rear window, on the instrument panel or in the area in which the airbags inflate.
- z Seats, seat belts and mirrors are correctly adjusted.
- z Check brakes.

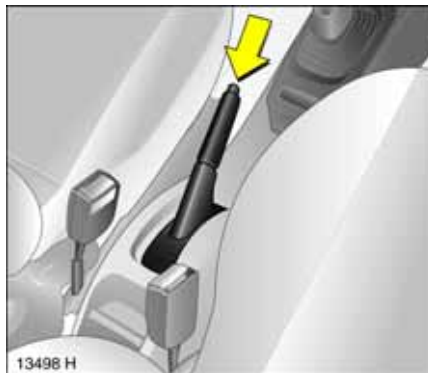


To start the engine:
 Depress clutch and brake pedals,
 do not accelerate,
 petrol engine: key to 3;
 release key once engine is
 running

Before restarting or switching off the engine, turn key back to 0.

To switch on the ignition, only turn the key to 2.

6 Electronic immobilizer – page 29, further information – page 106.



Releasing the hand brake:
 Raise lever slightly,
 Press unlock button,
 Lower lever fully

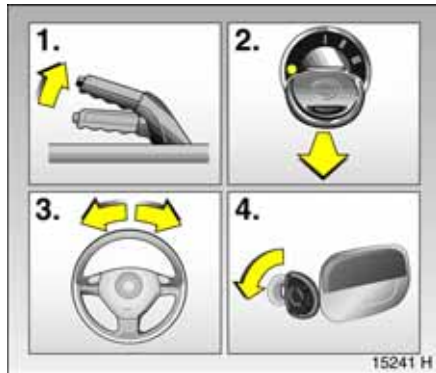
And now "Have a good journey!"

Drive carefully, economically and with the environment in mind. While driving, do not do anything that could distract you.

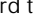
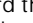
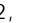
Warning buzzers

When the vehicle is parked and the driver's door is opened the warning buzzer will sound if:

- z the ignition key is in the ignition switch 3
- z parking lights or dipped beam on 3.

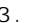


**Parking the vehicle:
Apply handbrake firmly,
engine off,
remove key,
lock steering wheel,
lock vehicle**

To lock, turn the key in the lock toward the rear of the vehicle or press button  on the remote control. To activate the anti-theft locking system , turn the key toward the rear of the vehicle twice or press button  on the remote control twice.

6 Further information – pages 29, 82,
radio remote control 3 – page 31,
central locking system 3 – page 33,
vehicle decommissioning – page 139.

When parking:

- z Always apply hand brake firmly. On slopes apply the hand brake as firmly as possible.
- z Engage first gear or reverse.
- z Closing windows and sun roof .
- z Turn steering wheel until lock is felt to engage (anti-theft protection).
- z Engine cooling fan may run on after the engine has been switched off.
- z Do not park vehicle on easily ignitable surfaces as the hot exhaust system temperatures could cause the surface to ignite.



**Service work,
Maintenance**

We recommend that you entrust all work to your Vauxhall Authorised Repairer, who can provide you with reliable service and correctly perform all work according to factory instructions.

6 If you have a problem– page 128,
service interval display – page 130.

Genuine Vauxhall Parts and Accessories

We recommend that you use "Genuine Vauxhall Parts and Accessories" and conversion parts released expressly for your vehicle type. These parts have undergone special tests to establish their reliability, safety and specific suitability for Vauxhall vehicles. Despite continuous market monitoring, we cannot assess or guarantee these attributes for other products, even if they have been granted approval by the relevant authorities or in some other form.

"Genuine Vauxhall Parts and Accessories" and conversion parts approved by Vauxhall can be obtained from your Vauxhall Authorised Repairer, who can also provide expert Vauxhall advice on permitted technical changes and ensure correct installation.

⚠ Warning

Carry out regularly the checks recommended in the individual sections of this Owner's Manual.

Ensure that your vehicle is serviced at the service intervals specified in the Service Booklet. We recommend that you entrust this work to your Vauxhall Authorised Repairer.

Have faults remedied without delay! Consult a workshop. We recommend your Vauxhall Authorised Repairer. If necessary, interrupt your journey.

6 Maintenance – page 130.

That was a brief look at the most important information for your first drive in your Agila.

The remaining chapters of the Owner's Manual contain important information on operation, safety and maintenance as well as a complete index.

Instruments



Control indicators	18
Instrument display	22
Information display 3	24
Radio reception 3	26
Infotainment system 3	26
Mobile telephones and radio equipment 3	26

Control indicators

The control indicators described here are not present in all vehicles. The description applies to all instrument versions.

S

Engine oil level 3

The engine oil level is checked automatically.

Illuminated: Engine oil level too low. Check oil level and top up as necessary. See page 132.

EPS¹⁾

Electric power steering 3

The control indicator illuminates for a few seconds when the ignition is switched on. Illumination while driving indicates a fault. Driving may be continued. More force is required for steering. Consult a workshop. We recommend your Vauxhall Authorised Repairer.

¹⁾ EPS = Electronic Power Steering.



A

Engine electronics, immobilizer

The control indicator illuminates for a few seconds when the ignition is switched on.

Illuminates when the engine is running

Fault in the engine electronics system. The electronics system switches to limp-home mode. Fuel consumption may increase and the driveability of the vehicle may be impaired – see page 90. Consult a workshop. We recommend your Vauxhall Authorised Repairer.

If it flashes when the ignition is on:

Fault in the electronic immobilizer system; the engine cannot be started – see page 29.

Z

Exhaust emission

Illuminates when the ignition is switched on. Goes off shortly after the engine starts.

Illuminates when the engine is running

Fault in emission control system. The permitted emission limits may be exceeded. Consult a workshop. We recommend your Vauxhall Authorised Repairer.

If it flashes when the engine is running:

Fault that can lead to destruction of the catalytic converter is indicated – see page 89. Consult a workshop immediately. We recommend that you consult your Vauxhall Authorise Repairer.

O

Turn signal lights

When the turn signal is activated, the corresponding control indicator flashes. Rapid flash: A turn signal bulb is faulty. Bulb replacement – see page 122.

Both control indicators flash when the hazard warning lights are activated.

C

Main beam

The control indicator is illuminated when main beam is on and during headlight flash – see page 10.

U

Anti-lock brake system (ABS) 3

see page 94.



R
Brake system

The control indicator illuminates when the ignition is switched on if the hand brake is applied or if the brake fluid level is too low. Further information – see page 136.

⚠ Warning
Illuminated when the hand brake is not applied: Stop the vehicle; interrupt your journey immediately. Consult a workshop. We recommend your Vauxhall Authorised Repairer.

⚠ Warning
Illuminated together with the control indicator for the Anti-lock Brake System ω : The braking force on the rear wheels is not being regulated. The vehicle may swerve during braking. Consult a workshop. We recommend your Vauxhall Authorised Repairer.

p
Alternator

Illuminates when the ignition is switched on. Goes off shortly after the engine starts.

Illuminates when the engine is running
Stop the vehicle and switch off the engine. The battery is not being charged. Engine cooling may be interrupted. Contact a workshop. We recommend your Vauxhall Authorised Repairer.



I
Engine oil pressure
 Illuminates when the ignition is switched on. Goes off shortly after the engine starts.

Illuminates when the engine is running
 Engine lubrication may be interrupted. This may result in damage to the engine and/or locking of the drive wheels:

1. Move out of the flow of traffic as quickly as possible without impeding other vehicles.
2. Depress clutch.
3. Put the transmission in neutral
4. Switch off ignition.

9 Warning

When the engine is off, considerably more force is needed to brake and steer. Do not remove key until vehicle has come to a standstill, otherwise the steering column lock could engage unexpectedly.

Contact a workshop. We recommend that you consult your Vauxhall Authorised Repairer.

Y

Fuel level 3

Illuminated: Low fuel level. Fuel gauge in reserve area.

If it flashes: Fuel reserve used up, fill up immediately.

Never let the tank run dry!

Erratic fuel supply can cause catalytic converter to overheat – see page 88.

V

Airbag systems 3, belt tensioners
 see pages 51, 57.



Instrument display

Tachometer 3

Indicates engine speed.

Warning zone: maximum permissible engine speed exceeded; danger to engine.

Speedometer¹⁾

Indicates the vehicle speed.

Odometer

Switchable between overall odometer and two trip odometers A or B.

Overall odometer

With ignition on, display of total miles driven – "ODO"¹⁾ appears on the display.



Trip odometer

Switchable from overall odometer (ODO) to trip odometer A (TRIP A) or trip odometer B (TRIP B). Press the reset knob briefly to switch between the three options.

Reset trip odometer A or B by pressing and holding down the reset knob for approx. 2 seconds.

Service interval display, see page 130.

¹⁾ ODO = Odometer.



Coolant temperature display

- Pointer in low zone = Engine operating temperature not yet reached
- Pointer between the zones = Normal operating temperature
- Pointer in upper (warning) zone = Temperature too high:
Stop vehicle and switch off engine.
Danger to engine, check coolant level immediately – see page 134.

For physical reasons, the engine temperature gauge shows the coolant temperature only if the coolant level is adequate.

During operation the system is pressurised. The temperature may therefore rise briefly to over 100 °C.



Fuel gauge

- Pointer in red zone or Y illuminated = Reserve area
- Pointer in red warning zone or Y flashing = Fill up immediately – see page 87.

Never let the tank run dry!

Because of the fuel remaining in the tank, the amount of fuel required to fill the tank may be less than the specified tank capacity.



Information display 3

Triple information display

Display of time, outside temperature and date/infotainment system if it is switched on.

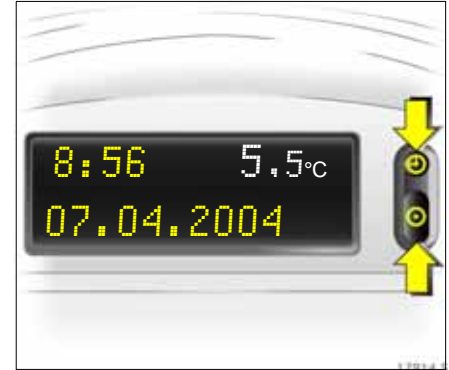
When the ignition is off, the time, date and outside temperature can be made to appear for approx. 15 seconds by briefly pressing one of the two buttons on the right-hand side of the display.

Setting date and time

Date and time can either be set manually or corrected automatically with an RDS time signal¹⁾ 3.

Some RDS transmitters do not send correct time signals. If the incorrect time is displayed often, deactivate automatic time synchronisation 3 and set the time manually.

The automatic setting is indicated by $\text{\textcircled{O}}$ in the display.



Manual setting

Infotainment system off. Press $\text{\textcircled{O}}$ and ; next to the display as follows:

Press $\text{\textcircled{O}}$ for a approx. 2 seconds:

Day flashes

; : Set day

$\text{\textcircled{O}}$: Month flashes

; : Set month

$\text{\textcircled{O}}$: Year flashes

; : Set year

$\text{\textcircled{O}}$: Hours flash

; : Set hours

$\text{\textcircled{O}}$: Minutes flash

; : Set minutes

$\text{\textcircled{O}}$: Clock is started.

¹⁾ RDS = Radio Data System.

Deactivating and activating automatic setting function 3

Infotainment system off. Press \odot and ; next to the display as follows:

hold down \odot for approx. 2 sec., clock display is now in setting mode,

Press \odot twice (until year flashes).

Press \odot and hold down for approx. 3 seconds until } flashes in display and text "RDS TIME" appears (years flash during this time),

Press ; ; display of:

RDS TIME 0 = Off.

Press ; ; display of:

RDS TIME 1 = On

Press \odot three times.



Outside temperature

A fall in temperature is indicated immediately and a rise in temperature after a time delay.

If outside temperature drops below 3 °C, the symbol : appears in the information display as a warning for icy road conditions. When temperature increases to at least 5 °C, the : symbol goes out.

⚠ Warning

Caution: The road surface may already be icy even though the display indicates a few degrees above 0 °C.

Fault display

An F in the display indicates a fault. Have the cause remedied. We recommend that you consult your Vauxhall Authorised Repairer.

Radio reception 3

Car radio reception differs from domestic radio reception:

As the vehicle antenna is relatively near the ground, the broadcasting companies cannot guarantee the same quality of reception as obtained with a domestic radio using an overhead antenna.

- z Changes in distance from the transmitter,
 - z multi-path reception due to reflection and
 - z shadowing
- may cause hissing, noise, distortion or loss of reception altogether.

Infotainment system 3

The infotainment system is operated as described in the operating instructions supplied.

Mobile telephones and radio equipment 3

The Vauxhall installation instructions and the operating guidelines provided by the telephone manufacturer must be observed when fitting and operating a mobile telephone. Failure to do so could invalidate the vehicle's operating permit (EU Directive 95/54/EG).

Prerequisites for fault-free operation:

- z Professionally installed exterior antenna to obtain the maximum range possible
- z Maximum transmission power 10 Watt,
- z Installation of the telephone in a suitable spot (see information on page 61).

Obtain advice on predetermined installation locations for the external antenna and equipment holder and ways of using devices with transmission power of more than 10 Watts. We recommend that you consult your Vauxhall Authorised Repairer, who will have brackets and various installation kits available as accessories and will install them in accordance with regulations.

For reasons of safety, we recommend that you do not use the phone while driving. Even use of a hands-free set can be a distraction while driving. Be sure to observe any country-specific regulations.

⚠ Warning

When used in the vehicle interior, mobile telephones and radio equipment (CB) with integrated antenna may cause malfunctions in the vehicle electronics.

Mobile telephones and radio equipment (CB) should only be used with an antenna fitted on the vehicle exterior.

Keys, Doors, Bonnet

Electronic immobilizer	29
Mechanical unlocking or locking of individual doors.....	30
Radio remote control 3	31
Central locking with vehicle key 3, central locking with remote control 3	33
Child safety locks	37
Bonnet	37

Replacement keys

The key is a constituent of the electronic immobiliser. Ordering keys from a Vauxhall Authorised Repairer guarantees problem-free operation of the electronic immobiliser.

Keep the spare key in a safe spot.

Locks – see page 143.

Lock cylinders

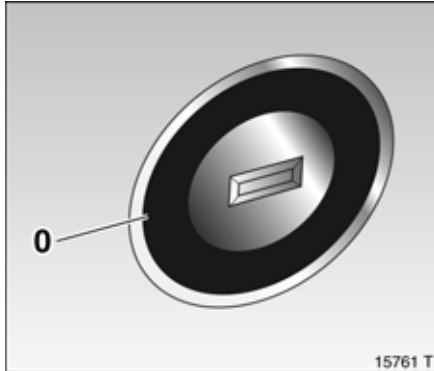
Designed to free-wheel if they are forcefully rotated without the correct key or if the correct key is not fully inserted.

To reset, turn cylinder with the correct key until its slot is vertical, remove key and then re-insert it. If the cylinder still free-wheels, turn the key through 180° and repeat operation.

Car Pass

The Car Pass contains all of the vehicle's data and should therefore not be kept in the vehicle.

Have your Car Pass on hand when consulting a Vauxhall Authorised Repairer.



Electronic immobilizer

The system checks whether the vehicle may be started using the key that has been inserted. If the key is "authorised", the vehicle can be started. This check is carried out via a transponder housed in the key.

The electronic immobiliser is automatically activated when the key is removed from the ignition switch.



Control indicator A for immobilizer

Control indicator A illuminates briefly when the ignition is switched on.

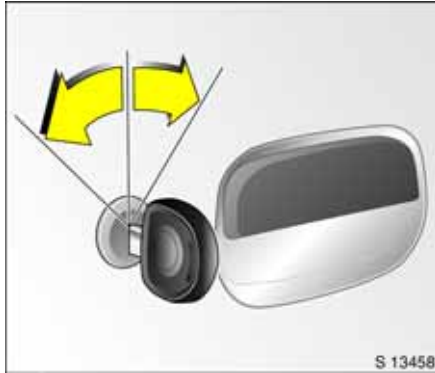
If the control indicator flashes when the ignition is on, there is a fault in the system; the engine cannot be started. Switch off the ignition and then repeat the start attempt.

If control indicator A continues to flash, try to start the engine using the spare key and consult a workshop. We recommend your Vauxhall Authorised Repairer.

If the control indicator A illuminates after the engine has been started, there is a fault in the engine electronics – see page 90.

Note

The immobilizer does not lock the doors. After leaving the vehicle, therefore, always lock it – see page 33.



Mechanical unlocking or locking of individual doors

(versions without radio remote control 3 and central locking system 3)

Front doors

To unlock:

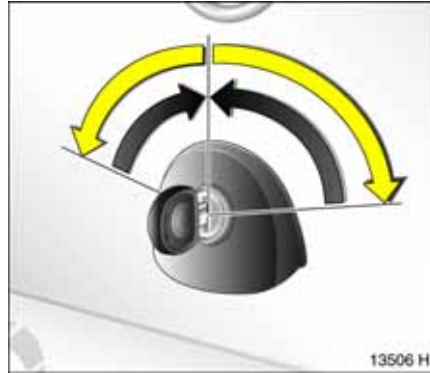
Turn key in lock towards front of vehicle as far as it will go. Return key to the vertical position and remove. Pull door handle.

To lock:

With door closed, turn key towards rear of vehicle as far as it will go. Turn key back to vertical position and remove.

Operating from the inside

Pull or press the interior lock button.



Tailgate

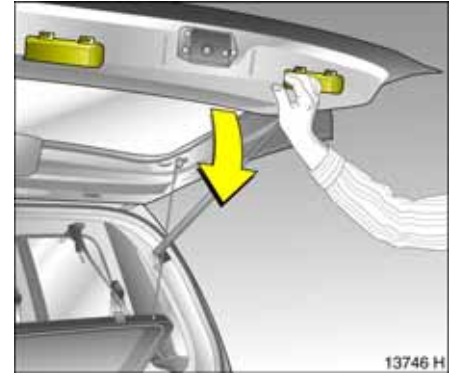
To unlock:

Turn the key to the left as far as the stop, turn back to the vertical position and withdraw.

The lock is released by pressing the button.

To lock:

Turn the key to the right as far as the stop, turn back to the vertical position and withdraw.



Open luggage compartment

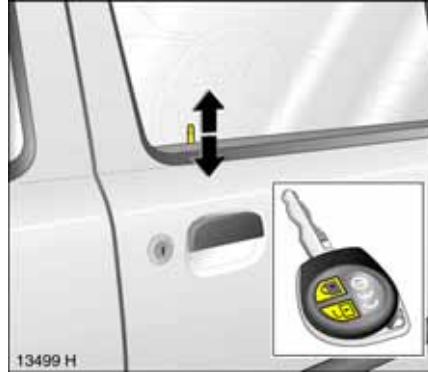
There are two handles on the inside of the tailgate to aid in closing.

Note

- z Fitting of accessories on the tailgate will increase its weight. If it becomes too heavy, it will then not stay open.
- z The number plate can only be clearly seen if the tailgate is closed. It is therefore not permitted to drive with the tailgate open.

9 Warning

Do not drive with the luggage compartment open, e.g. when transporting bulky objects, since toxic exhaust gas could penetrate the interior.

**Radio remote control 3**

The radio remote control is integrated in the key.

Used to operate:

- z central locking system,
- z mechanical anti-theft locking system 3.

The radio remote control has a range of approx. 3 metres. This range can be affected by outside influences. Aim the remote control at the vehicle to operate.



Handle radio remote control with care, protect from moisture and high temperatures and avoid unnecessary operation.

The hazard warning lights come on to indicate that the remote control is operational.

Central locking with radio remote control 3,
see page 33.

Mechanical anti-theft locking system with radio remote control 3
see page 33.

Fault

If the central locking system cannot be operated with the radio remote control, it may be due to the following:

- z The range of the radio remote control has been exceeded.
- z The ignition key is in the ignition lock.
- z The doors are not closed properly.
- z Remote control battery voltage is too low. Battery replacement - see next column.
- z Interference from higher-power radio waves from other sources.

To eliminate the cause of the fault, contact your Vauxhall Authorised Repairer.

Manual unlocking and locking with the vehicle key - see page 30.



Remote control battery replacement

Replace the battery as soon as the range of the radio remote control begins to shrink.

Remove screw on the underside of the remote control key with a screwdriver and remove cover.

The transponder for the immobiliser is located in the key. Ensure that it is not damaged or released.

Detach the remote control unit from the key section by pressing in the buttons. Apply screwdriver and open remote control on both sides by making a slight turning movement. See figure above.

Open up remote control. Replace battery (battery type - see page 154). Note installation position of battery (positive terminal points down).

Close remote control and engage audibly. Insert remote control unit in key section. Close the cover and screw in place.

Make sure that you dispose of old batteries in accordance with environmental protection regulations.



Central locking with vehicle key 3, central locking with remote control 3

For doors and luggage compartment.

To lock:

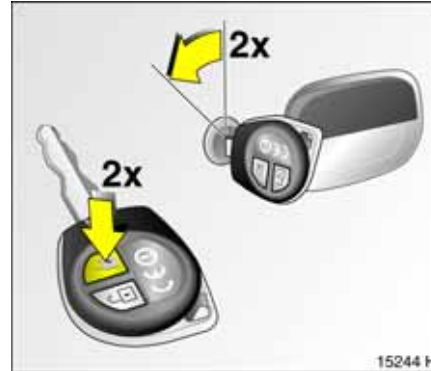
Turn key in front door lock toward rear of vehicle, turn key back to vertical position and remove.

– or –

Press button e on radio remote control 3

– or from the inside –

With doors closed, press button m on driver's door arm rest/pull. See next page, figure 12273 H.



Locking with mechanical anti-theft locking system 3

All doors must be closed. After locking, turn the key in one of the front door locks towards the rear of the vehicle again, turn it back to the horizontal position and remove.

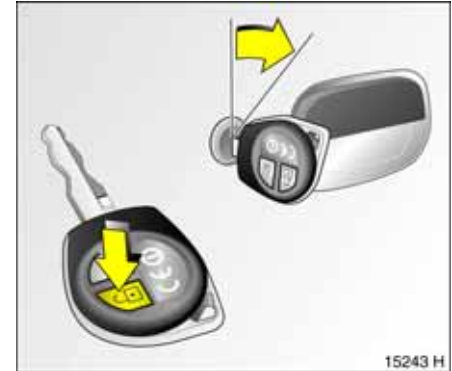
– or –

no more than 2 seconds after locking, press button e on the remote control 3 again.

Interior lock buttons on all doors are blocked from opening.

⚠ Warning

Do not use the system if there are people in the vehicle! The doors can only be unlocked from the inside if the ignition is on.



To unlock:

To unlock only the driver's door:

Turn key in driver's door lock towards front of vehicle once, then move back to vertical position and remove.

– or –

Press button c on radio remote control 3 once.

– or –

Press button m on driver's door arm rest/pull. See next page, figure 12273 H.

To unlock entire vehicle:

Turn key in front door lock toward front of vehicle twice, turn key back to vertical position and remove.

– or –

Press button c on radio remote control 3 again within 5 seconds

– or –

Press button m on driver's door arm rest/pull. See figure 12273 H.

If the mechanical anti-theft locking system 3 is engaged, the doors cannot be unlocked using button m on the driver's door arm rest/pull.



Central locking switch for locking and unlocking the doors from inside the vehicle

Press button m on driver's door handle: all doors are locked or unlocked.

If the mechanical anti-theft locking system 3 is engaged, the doors cannot be unlocked with this button.

Note

- z To prevent the driver from being inadvertently locked out, the button on the driver's door cannot be depressed when the door is open.
- z The lock button will not spring up if the door handle is raised when the door is being closed.
- z 30 seconds after unlocking using the radio remote control 3, the doors lock again automatically if no door is opened.

- z If the driver's door is open or the ignition is on, unlocking and locking with the radio remote control is not possible.
- z Unlocking is only possible with the key if the anti-theft locking system is switched on, so keep the spare key available in a safe place!

Central locking and the luggage compartment

The luggage compartment is locked and unlocked via the central locking system.

The central locking system and anti-theft locking system for the doors cannot be operated via the tailgate lock.



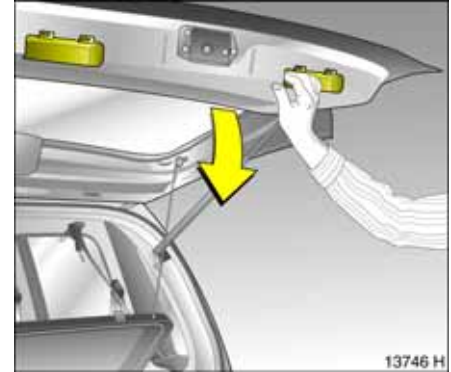
Unlocking the tailgate when the doors are locked with central locking system

Turn the key anti-clockwise from the vertical position as far as it will go. The key springs back to the centre position. The tailgate is then unlocked and can be opened by pressing the button.



After closing the tailgate, turn the key clockwise as far as it will go. The key springs back to the centre position and the tailgate is locked. Remove the key.

The key can only be removed when in the vertical position.



Open the luggage compartment

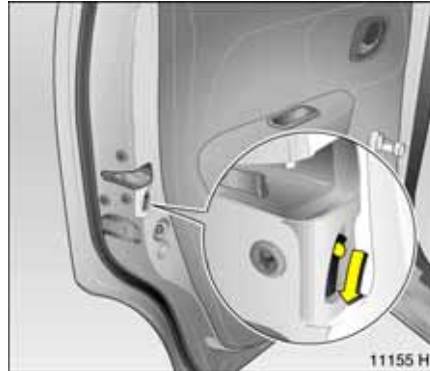
There are two handles on the inside of the tailgate to aid in closing.

Note

- z Fitting of accessories on the tailgate will increase its weight. If it becomes too heavy, it will then not stay open.
- z The number plate can only be clearly seen if the tailgate is closed. It is therefore not permitted to drive with the tailgate open.

9 Warning

Do not drive with the luggage compartment open, e.g. when transporting bulky objects, since toxic exhaust gas could penetrate the interior.

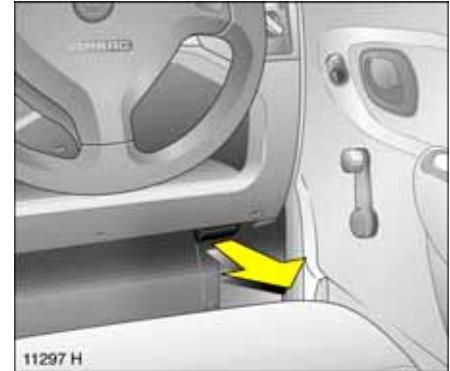


Child safety locks

9 Warning

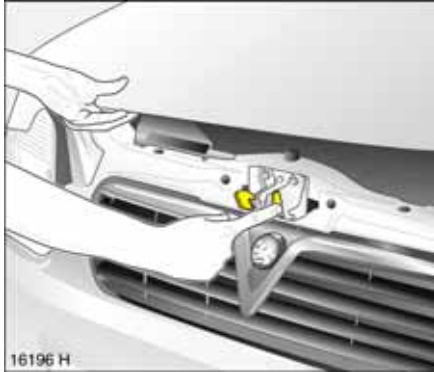
Use the child safety lock whenever children are occupying the rear seats. Disregard may lead to injuries or endanger life. Vehicle passengers should be informed accordingly.

Push the latch on rear door locks down: door cannot be opened from the inside.



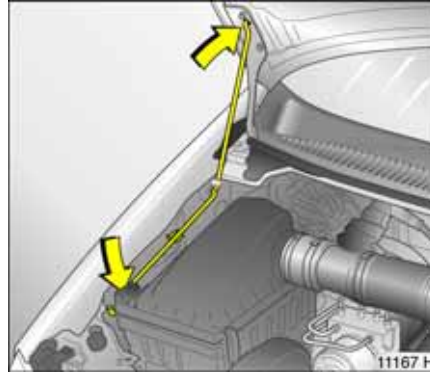
Bonnet

To open the bonnet, pull the release lever, located on the driver's side below the instrument panel. The bonnet will then be unlocked and will partially open. Return release lever to its original position.



The safety catch is located above the radiator grille at the centre of the bonnet. Open the bonnet by moving the catch to the left and lifting the bonnet.

Any dirt or snow on the bonnet can slide down towards the windscreen when the bonnet is opened and block the air intake – see page 80.



To hold the bonnet open, insert the support rod located on the right-hand side of the vehicle (as viewed in the direction of travel) in the slot on the underside of bonnet.

Before closing bonnet, press support rod firmly into its retainer. Lower the bonnet gradually and then allow it to fall into the lock under its own weight.

Check that the bonnet is locked in position by pulling at its front edge. If it is not engaged, repeat the procedure.

Seats, Interior

Luggage compartment enlargement	41
Lashing eyes 3	42
Notes on loading	42
Luggage compartment cover 3	43
Safety net 3	43
Storage options in the vehicle interior	45
Notes on loading the vehicle	48
Sun visors	48
Cigarette lighter 3	49
Accessory socket	49
Ashtray 3	49



Seat position

Adjust driver's seat such that with the driver sitting upright the steering wheel is held in the area of its upper spokes with the driver's arms slightly bent.

Push passenger seat as far back as possible.

The seat backrests must not be tilted too far back (recommended tilting angle approx. 25 °).

⚠ Warning

Do not sit nearer than 10 inches (25 cm) from the steering wheel, to permit safe airbag deployment.

Failure to observe the descriptions could lead to injuries which could be fatal. Vehicle passengers must be informed accordingly before starting-off.



Head restraints

The centre of the head restraint should be at eye level. If this is not possible, adjust to highest position for extremely tall people or to lowest position for extremely short people.

⚠ Warning

Failure to observe the descriptions could lead to injuries which could be fatal. Vehicle passengers should be informed accordingly before starting off.

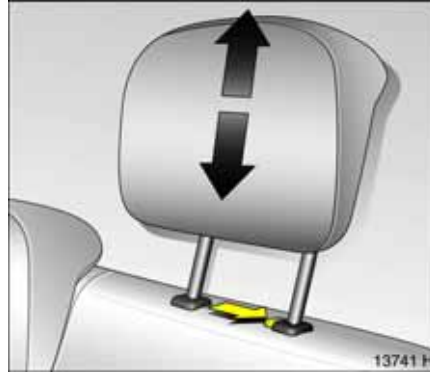


Front head restraint adjustment

Adjust the head restraints by tipping them forward, holding and adjusting the height.

To improve visibility when the front passenger seat is unoccupied or to fold down the front passenger seat, push the head restraint all the way down or remove.

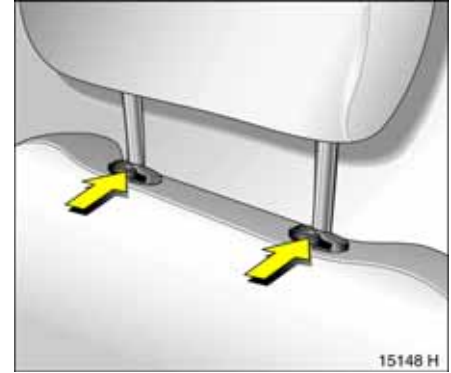
If the front passenger seat is occupied, adjust the head restraint to the appropriate level for the occupant's body.



Rear head restraint adjustment

To improve visibility when the rear seats are unoccupied or to fold down the rear seat backrests, press the detent springs on the guide sleeves to release the head restraints and push them all the way down or remove them. See next column.

If the rear seats are occupied, adjust the rear head restraints to the occupants' body size.



Head restraint removal

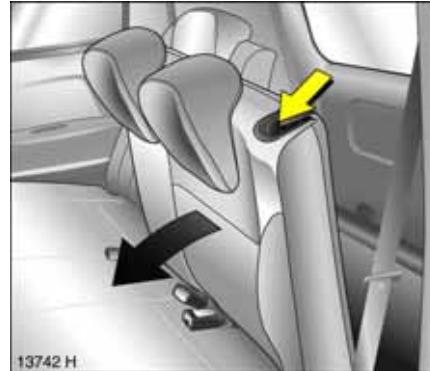
Press the two detent springs on the guide sleeves to release, remove head restraint.

Luggage compartment enlargement

Remove the luggage compartment cover 3. See page 43.

Remove the push-in sleeves 3 for mounting the ISOFIX child restraint system 3; see the separate instructions for the ISOFIX child restraint system.

Remove the safety net 3 from the recess under the rear seat cushions as necessary.



Folding rear seat backrests

Press the detent springs on the guide sleeves to release the rear head restraints and push them all the way down or remove them (see previous page).

Disengage the centre three-point seat belt from both buckles. The belt will retract fully – see page 55.

Disengage one or both rear seat backrests with the pushbutton and fold down onto the seat cushion.



Repositioning rear seat backrests

Pull the outer seat belt forward so it is not damaged when the backrest is returned to an upright position.

Engage rear seat backrest audibly in position.

Engage the tongue of the centre three-point seat belt in the two buckles of the centre rear seat.

Install the luggage compartment cover 3 - see page 43.

Install the push-in sleeves 3 for mounting the ISOFIX child restraint system 3.



Folding down the front passenger seat 3

Push front passenger seat head restraint all the way down or remove (see page 40).

Slide front passenger seat back.

Tilt passenger seat backrest forward by lifting the release lever.

Repositioning the front passenger seat backrest 3

Press the release lever forward, restore the front passenger seat backrest to an upright position and audibly engage.



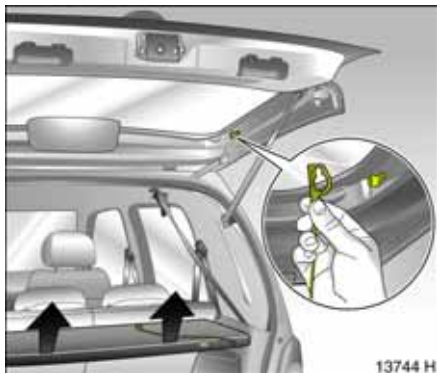
Lashing eyes 3

Lashing eyes in the luggage compartment are for securing transported items with lashing straps 3 or a luggage net 3 to prevent them from slipping around.

There are a total of six lashing eyes in the luggage compartment.

Notes on loading

see page 48.



Luggage compartment cover 3

To remove, unhook the retaining straps from the tailgate.

Remove the cover from the side guides and place it behind the seat backrests.

Fit in reverse order.

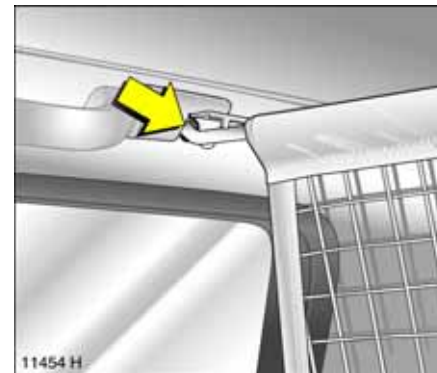
Do not place any heavy or sharp-edged objects on the cover.



Safety net 3

When the rear seat backrests are folded down, the safety net is mounted behind the front seats.

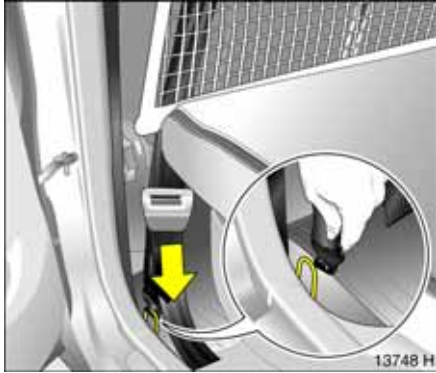
Passengers must not be carried behind the safety net.



Fitting

Folding rear seat backrests - see luggage compartment enlargement on page 41.

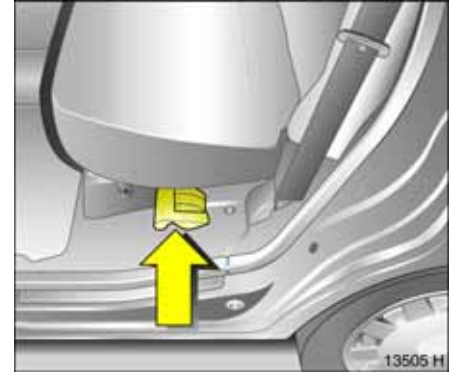
There are two installation apertures in the roof frame above the front seats: Use the ignition key to unclip the cover. Engage one side of the upper net rod in one side and then engage in the other side. Close the cover.



Hook the safety net tensioning straps in the lashing eyes in the floor behind the front seat and tension.

Removing

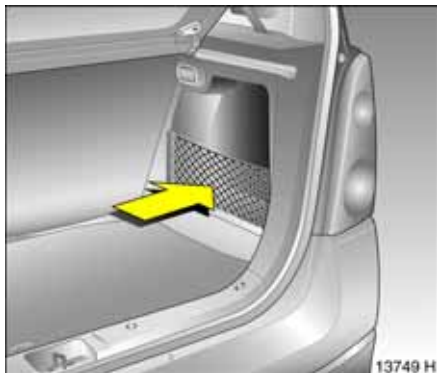
Swivel tensioning strap length adjusters upward and unhook straps from the eyes in the floor. Open the cover of the installation apertures 3 in the roof frame. Unhook upper net rod and close cover.



Stowage of safety net

Roll up the removed safety net and secure it with Velcro strip.

Guide the safety net into the recess under the rear seats.



Storage options in the vehicle interior

Storage nets 3 on both sides of luggage compartment

On some versions, there are storage nets on the right and left walls of the luggage compartment.

Do not stow any heavy objects in the nets.



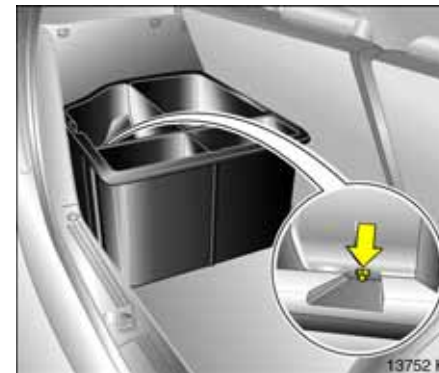
Storage box in luggage compartment 3

The storage box is located behind the left rear seat backrest in the luggage compartment.

Fitting

Folding down rear seat backrests – see page 41.

With the tailgate open, tip the storage box forward and engage the recesses on the storage box on the locating pins.

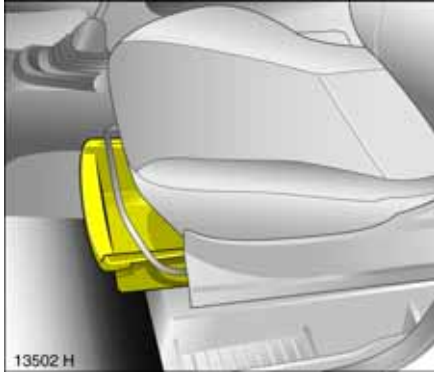


Secure the storage box at the back with knurled screws.

Engage the rear seat backrests in seating position.

Removing

To remove, reverse sequence of operations.



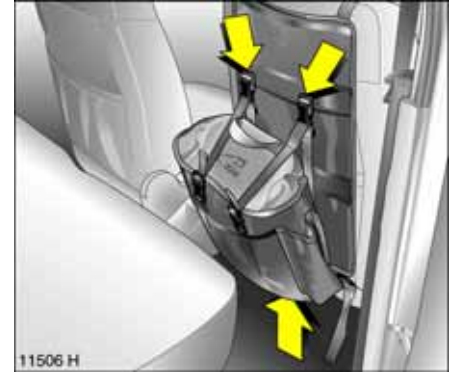
Storage tray 3 under front passenger seat

Lift tray by grasping recessed edge and pull forwards. Maximum load: 1 kg. To close the tray push it in and lock it in place.



Rucksack 3 on the back of a front seat backrest

Fasten securing belt for rucksack onto front seat backrest: feed both belt straps between seat and backrest. Feed belt straps through lashing eyes and tighten.



Attach rucksack to both clips at top and secure to snap fastener at bottom.

Glove compartment

Pull the handle to open.

**Addition storage options
are found**

- z in the pockets 3 on the back of the front seat backrests,
- z in the compartments 3 at the side of the front seats,
- z in the compartments 3 in the door inner panelling,
- z in the stowage compartment 3 beneath the glove compartment,

z in the luggage net 3 on the back of the rear backrest,

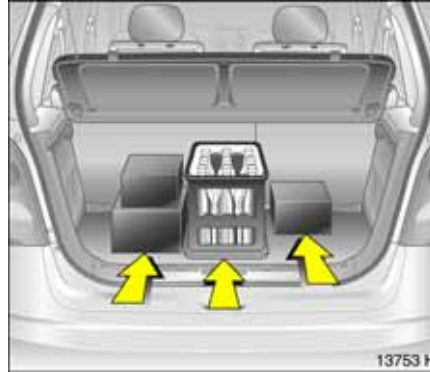
z in the stowage compartment 3 in the centre console in front of the gear lever.

Drink holder 3

There are two drink holders located in the centre console in front of the gear lever.

Notes on loading the vehicle

- z Heavy objects in the luggage compartment should be placed as far forward as possible against the engaged rear seat backrests or, if the rear seat backrests are folded down, against the front seat backrests. If objects are to be stacked, the heavier objects should be placed at the bottom. Unsecured objects in the luggage compartment would be thrown forward with great force in the event of heavy braking, for example.
- z Secure heavy objects with lashing straps 3 attached to lashing eyes 3 – see page 42. If heavy loads slip when the vehicle is braked heavily or driven around a bend, the handling of the vehicle may change.
- z Loose objects in the luggage compartment should be secured against slipping using a luggage net 3 – see page 42.
- z Fit the safety net when transporting objects in the luggage compartment with the rear seat backrests folded down – see page 43.
- z If the backrests are not folded down when transporting objects in the luggage compartment, they must be engaged in the upright position. See page 41.



- z Do not allow the load to protrude above the upper edge of the rear seat backrests, or above the upper edge of the front seat backrests if the rear seat backrests are folded down.
- z The warning triangle 3 and first-aid kit (cushion) 3 must always be freely accessible.
- z Do not place any objects in front of the rear window or on the instrument panel. They are reflected in the glass, obstruct the driver's view and will be thrown through the vehicle, for instance in the event of heavy braking.
- z Objects must not be stored in the airbag inflation area, because they could cause injury if the airbag inflates.

- z The load must not obstruct the operation of the hand brake and the gears or restrict the driver's freedom of movement.
- z Do not drive with the luggage compartment open, e.g. when transporting bulky objects, since toxic exhaust gas could penetrate the interior.
- z Weights, payload and roof load – see page 150.
- z Roof loads increase the vehicle's sensitivity to crosswinds and has a negative affect on driveability due to an raised centre of gravity.

⚠ Warning

Disregard of these notes can lead to injuries which may be fatal. Vehicle passengers should be informed accordingly.

Sun visors

Use the sun visor to protect from glare by pulling it down and swivelling it to the side 3.



Cigarette lighter 3

In front centre console:

Press cigarette lighter with ignition switched on. Switches off automatically when element is glowing. Withdraw cigarette lighter.

Accessory socket

The cigarette lighter socket can be used to connect electrical accessories.



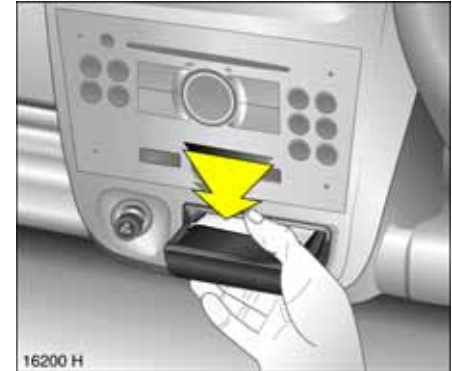
The socket is operational when the ignition is switched on. Use of the socket discharges the battery if the engine is not running.

Do not damage the sockets by using unsuitable plugs.

The maximum power consumption of electrical accessories must not exceed 120 watts.

Do not connect any current-delivering accessories, e.g. electrical charging devices or batteries.

Electrical accessories connected to the socket must comply with the electromagnetic compatibility requirements laid down in DIN standard VDE 40 839. otherwise vehicle malfunctions may occur.



Ashtray 3

To be used only for ash and not for combustible rubbish.

9 Warning

Disregard of these notes can lead to injuries which may be fatal. Vehicle passengers should be informed accordingly.

To open:

Withdraw ashtray.

To empty:

Press ashtray cover down and withdraw ashtray.

Safety systems

Seat belts.....	51
Three-point seat belts.....	51
Belt tensioners.....	52
Using the belts.....	54
Vauxhall Full Size airbag system.....	56
Use of child restraint systems 3.....	62
Mounting brackets 3 for ISOFIX child restraint systems.....	62
Exterior mirrors.....	65
Head restraints.....	65
Sun visors, glove compartment.....	65
Safety accessories 3.....	65

Three-stage restraint system

Comprising:

- z three-point seat belts
- z belt tensioners at the front seats
- z airbag systems for driver and front passenger seats 3.

The three stages are activated in sequence depending on the seriousness of the accident:

- z The automatic seat belt locking devices prevent the belt strap from being pulled out and thus ensure that the vehicle occupants are retained in their seats.
- z The seat belts on the front seats are tensioned on the automatic retractors. As a result, the seat belts are instantaneously tightened and the occupants are made aware of the deceleration of the vehicle at a very early stage. This reduces the stress placed on the body.
- z The airbag systems are also triggered in the event of serious accidents and form a safety cushion for the occupants.

9 Warning

The airbag systems 3 serve to supplement the three-point seat belts and belt tensioners. The seat belts must therefore always be worn. Disregard of these instructions may lead to injuries or endanger life. Vehicle passengers should be informed accordingly.

Read the instructions supplied with the child restraint system!

Seat belts

9 Warning

Always wear your seat belt, and that means also in urban traffic and when you are a rear seat passenger. It can save your life!

Pregnant women must always wear a seat belt – see page 54.

In the event of an accident, persons not wearing seat belts endanger their fellow occupants and themselves.

Seat belts are designed to be used by only one person at a time. They are not suitable for children under 12 years of age or 150 cm unless an appropriate child restraint system is used.

For children up to 12 years of age we recommend the Vauxhall child restraint system – see page 63.



Three-point seat belts

The vehicle is equipped with three-point seat belts with automatic retractors and locking devices, allowing freedom of body movement although the spring tensioned belts always ensure a snug fit.

For information on proper seat position, see page 39.

The belt has a "vehicle sensitive retractor" which is designed to lock during heavy acceleration or deceleration in any direction.

Testing the belts

Please check all parts of the belt system occasionally for damage and correct operation. Have damaged parts replaced. In case of an accident, please replace overstretched belts and triggered belt tensioners. We recommend consulting your Vauxhall Authorised Repairer.

Do not make any alterations to the belts, their anchorages, the automatic retractors or the belt buckles.

Make sure that belts are not damaged or trapped by sharp-edged objects.

Belt tensioners

The front seat belt systems incorporate belt tensioners. In the event of a head-on collision and depending on the severity of the accident, the seat belts are instantaneously tightened by the automatic retractors.

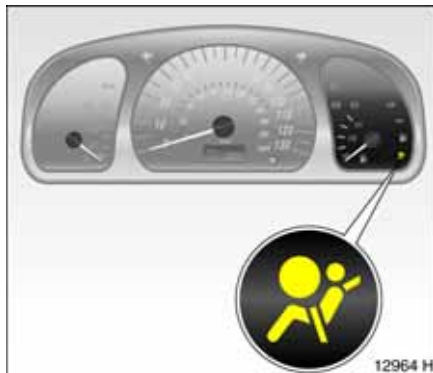
Activation of belt tensioners

is indicated by illumination of control indicator √.

The belt tensioners must be replaced after activation. We recommend that you consult your Vauxhall Authorised Repairer.

If the seat belts are undamaged the operation thereof is unaffected, even if the belt tensioners have been triggered.

Important information – see page 51.



Control indicator √ for belt tensioners

Belt tensioners are monitored electronically together with the airbag systems and their operational status is shown by control indicator √ in the instrument panel. When the ignition is switched on, the control indicator flashes for approx. 4 seconds. If it does not flash, does not go out after 4 seconds, or illuminates while driving, there is a fault in the belt tensioning system or in the airbag systems, see page 57. The belt tensioners or airbag systems may fail to deploy in the event of an accident.

Deployment of the belt tensioners is indicated by continuous illumination of √.

9 Warning

Have the cause of the fault remedied. We recommend that you consult your Vauxhall Authorised Repairer.

The system's integrated self-diagnostics allows faults to be quickly remedied. Have your Car Pass on hand when consulting a Vauxhall Authorised Repairer.

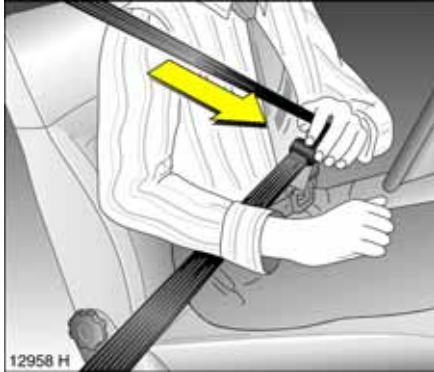
Important

- z Do not fit accessories not specifically released for your vehicle type or store objects in the belt tensioner operating area due to the risk of injury in the event the belt tensioners are triggered.
- z Do not make any modifications to the components of the belt tensioners, as this will render the vehicle unroadworthy.

9 Warning

Improper handling (e.g. removal or installation) can activate the belt tensioners – risk of injury.

- z The belt tensioner and airbag system control electronics can be found in the centre console area. In order to avoid malfunctions, do not store magnetic objects in this area.
- z We recommend that you have the front seats removed by a Vauxhall Authorised Repairer.
- z The belt tensioners only actuate once. Please replace belt tensioners that have been triggered. We recommend that you consult your Vauxhall Authorised Repairer.
- z Applicable safety directives must always be observed when disposing of the vehicle. For this reason, disposal should be performed by an authorised recycling company. We recommend that you consult your Vauxhall Authorised Repairer.

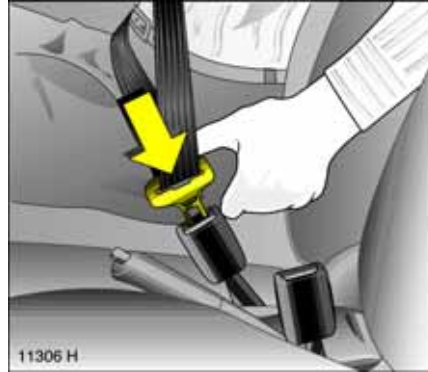


Using the belts

Fitting seat belts

Pull the belt out of the retractor and guide it across the body, making certain that it is not twisted.

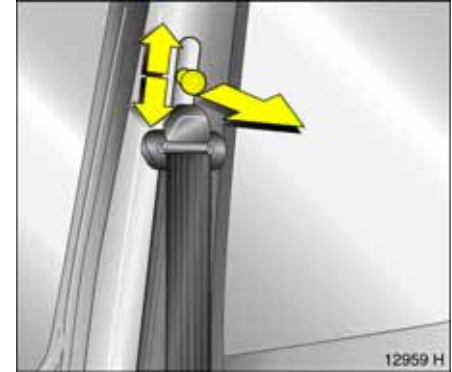
Insert the latch plate into the buckle. The backrest must not be tilted too far back, since this would affect the operation of the seat belts; recommended tilting angle approx. 25°. The lap belt must be straight and lie snugly against the body. Tighten the lap belt at frequent intervals whilst driving by tugging the diagonal part of belt.



⚠ Warning

On pregnant women in particular, the lap belt must be positioned as low as possible across the pelvis so as not to put too much pressure on the abdomen.

Bulky clothing prevents the belt from fitting properly. The belt must not rest against hard or fragile objects in the pockets of your clothing (e.g. ballpoint pens, keys, spectacles) because these could cause injury. Do not place any objects (e.g. handbags, mobile phones) between the belt and your body.



Height adjustment

To adjust the height of front seat belt upper anchorage points:

1. Pull belt out slightly.
2. Pull knob.
3. Set desired height.
4. Allow to lock audibly into position.

Do not adjust height while driving.

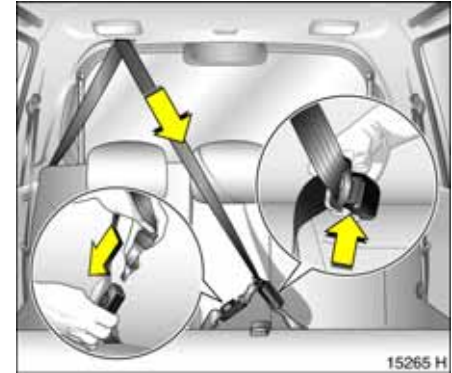


Adjust height such that the belt passes over the wearer's shoulder and rests against the shoulder. It must not pass over the neck or upper arm.



Removing the belt

To remove the belt, depress the red pushbutton on the buckle; the belt will retract automatically.



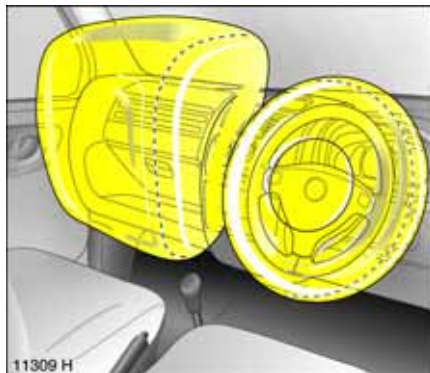
Three-point seat belt for centre rear seat

Pull belt from roof mounting by the latch plates. Click lower latch plate into the matching (smaller) right belt buckle. Use the upper latch plate to guide the belt over your shoulder and stomach area without twisting it, click latch plate into the left outer belt buckle.

The latch plate of the central belt only engages in the matching (left outer) belt buckle. The latch plate can be inserted in all the other belt buckles but will not engage.

To remove the belt, press the button on the left-hand buckle. The belt will retract automatically and will position itself ready to hand on the backrest.

When enlarging the luggage compartment, disengage the belt from both buckles; the belt will retract fully.

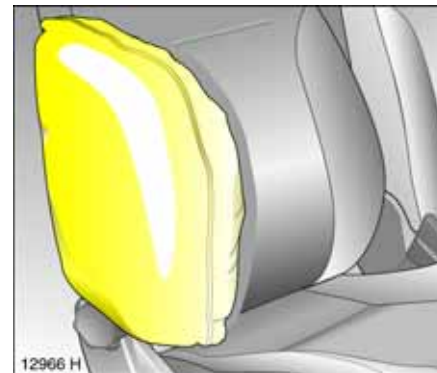


Vauxhall Full Size airbag system

The Vauxhall Full Size airbag system comprises several individual systems.

Front airbag system

The front airbag system is triggered in the event of a serious accident involving a frontal impact and forms safety cushions for the driver and front passenger. The forward movement of the driver and front passenger is checked and the risk of injuries to the upper body and head thereby substantially reduced.



Side airbag system 3

The side airbag system is triggered in the event of side-on collisions and forms safety cushions for the driver and front passenger in the respective front door area. The risk of injury to the upper body in the event of a side impact is thereby substantially reduced.



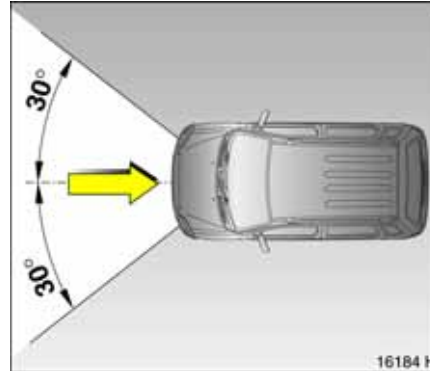
Vauxhall Full Size airbag system

Front airbag

The front airbag system is identified by the word **AIRBAG** on the steering wheel and above the glove compartment 3.

The front airbag system comprises:

- z an airbag with inflator in the steering wheel and a second one behind the trim panel above the glove compartment 3
- z the control electronics with impact sensor
- z the airbag systems control indicator \vee in the instrument panel.

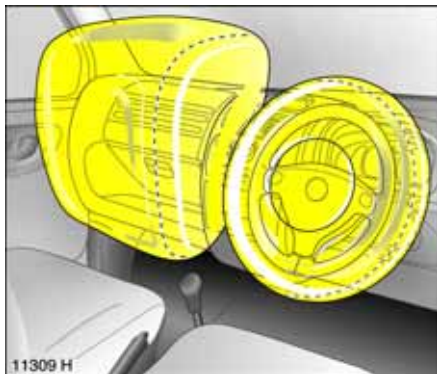


The front airbag system will be triggered :

- z depending on the severity of the accident
- z depending on the type of impact
- z within the range shown in the illustration
- z independently of the side airbag system 3.

Examples of events triggering the front airbag system:

- z Impact against a non-yielding obstacle: the front airbags are triggered at low vehicle speed.
- z Impact against a yielding obstacle (such as another vehicle): the front airbags are only triggered at a higher vehicle speed.



When triggered, the front airbags inflate in milliseconds and form a safety cushion for driver and front passenger. The forward movement of the driver and front passenger is checked and the risk of injuries to the upper body and head thereby substantially reduced.

No impairment of view will occur, because the airbags inflate and deflate so quickly.



Warning

The front airbag system provides optimum protection when the seat, backrest and head restraint are correctly adjusted: adjust the driver's seat according to the occupant's height such that with the driver sitting upright the steering wheel is held in the area of its upper spokes with the driver's arms slightly bent. The passenger seat should be as far back as possible, with the backrest upright – see page 39. Do not place the head, body, hands or feet on the covers of the airbag systems.

Do not place any objects in the area in which the airbags inflate. Important information – see page 61.

Warning

The three-point seat belt must be correctly fitted – see page 55.

The front airbag system will not be triggered in the event of

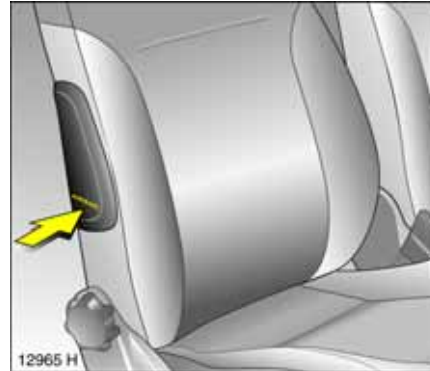
- z the ignition being switched off,
- z minor frontal collisions,
- z accidents in which the vehicle overturns,
- z collisions involving a side or rear impact that is to say, if it would not be of benefit to the occupants.



9 Warning

Seat belts must therefore always be worn. The front airbag system serves to supplement the three-point seat belts. If you do not wear your seat belt you risk being seriously injured, or even thrown from the vehicle, in the event of an accident.

In the event of an accident the belt helps to keep you in the correct seating position, so that the front airbag system can provide you with effective protection.

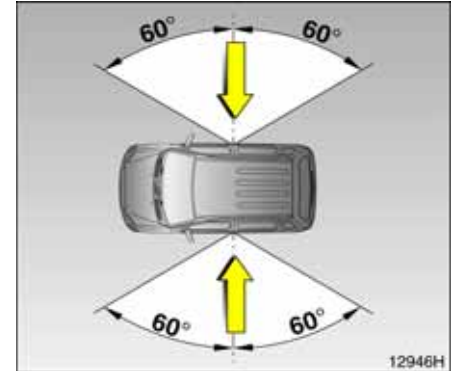


Side airbag 3

The side airbag system is identified by the word **AIRBAG** on the outward sides of the front seat backrests.

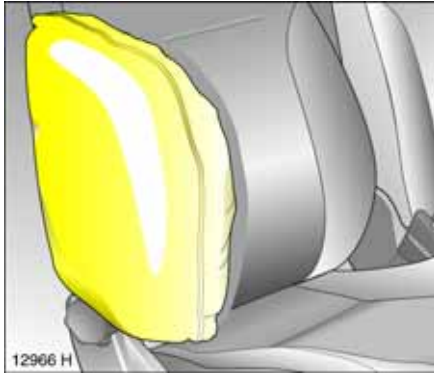
The side airbag system comprises:

- z an airbag with inflator in the back of the driver's and front passenger's seat respectively,
- z the control electronics,
- z the side impact sensors,
- z the airbag systems control indicator \vee in the instrument panel,



The side airbag system will be triggered:

- z depending on the severity of the accident,
- z depending on the type of impact,
- z within the range shown in the illustration on the centre door pillar of the driver's or front passenger's side,
- z independently of the front airbag system.



When triggered, the side airbag inflates in milliseconds to form a safety cushion for the driver or front passenger in the respective door area. This substantially reduces the risk of injury to the upper body in the event of a side-on collision.

⚠ Warning

There must be no objects in the area in which the airbag inflates or in the area between the seat backs and the vehicle body. Do not place the hands or arms on the covers of the airbag systems.

Important information – see page 61.

The three-point seat belt must always be correctly fitted – see page 54.

The side airbags will not be triggered in the event of

- z the ignition being switched off,
- z frontal collisions,
- z accidents in which the vehicle overturns,
- z collisions involving a rear impact,
- z collisions involving a side impact outside the passenger cell.

Control indicator √ for airbag systems

The airbag systems are monitored electronically together with the belt tensioners and their operational status is indicated by control indicator √ in the instrument panel. When the ignition is switched on, the control indicator flashes for a approx. 4 seconds.



If it does not flash, does not go out after 4 seconds or illuminates while driving, there is a fault in the airbag systems or the belt tensioner system see page 51. There is a possibility that the systems will not be triggered in the event of an accident.

Deployed airbag systems are indicated through constant illumination of √,

⚠ Warning

Have the cause of the fault remedied. We recommend that you consult your Vauxhall Authorised Repairer.

The system's integrated self-diagnostics allows faults to be quickly remedied. Have your Car Pass on hand when consulting a Vauxhall Authorised Repairer.

Important

- z Accessories and other objects must not be affixed or placed in the area in which the airbags inflate as they could cause injury if the airbags are deployed.
- z Do not place any objects between the airbag systems and the vehicle occupants; danger of injury.

⚠ Warning
As with any other object, child restraint systems must not be carried on a passenger's lap. Danger to life.

- z The electronics controlling the airbag systems and belt tensioners are located in the centre console. To prevent malfunction, do not place any magnetic objects in the vicinity of this console.
- z Use the hooks 3 in the roof frame only to hang up light articles of clothing or coat hangers. Do not place any objects in the pockets of the hanging items – risk of injury.

- z Do not stick anything on the steering wheel, instrument panel or front seat backrests in the vicinity of the airbags or cover them with other materials.
- z Use only a dry cloth or interior cleaner to clean the steering wheel, instrument panel and front seat backrests. Do not use abrasive cleaning agents.
- z Only protective covers which are approved for your Agila with side airbags 3 may be fitted on the front seats. When fitting the protective covers, make sure that the airbag units on the outboard sides of the front seat backrests are not covered.
- z The airbag systems are triggered independently of each other based on the severity of the accident and the type of impact.
- z Each airbag can be triggered only once. Once triggered, an airbag must be replaced without delay. We recommend that you consult your Vauxhall Authorised Repairer.
- z The speeds, directions of movement and deformation properties of the vehicles, and the properties of the obstacle concerned, determine the severity of the accident and triggering of the airbags. The degree of damage to your vehicle and the resulting repair costs alone are not indicative that the criteria for triggering of the airbags were met.

- z Do not perform any alterations on the components of the airbag system, as this would render the vehicle unroadworthy.

⚠ Warning
The systems can be triggered abruptly and cause injury if they are handled improperly.

- z We recommend entrusting removal of the steering wheel, the instrument panel, the front seats and the seat belts to your Vauxhall Authorised Repairer.
- z Applicable safety directives must always be observed when disposing of the vehicle. For this reason, disposal should be performed by an authorised recycling company. We recommend that you consult your Vauxhall Authorised Repairer.
- z Anyone weighing less than 35 kg should sit in the rear seats.

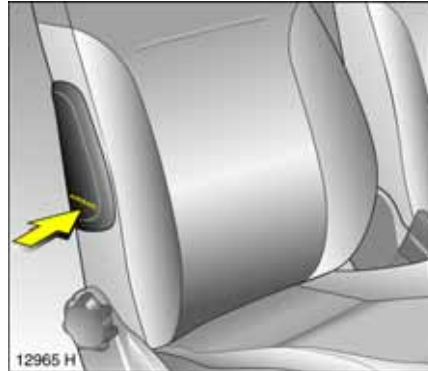


Use of child restraint systems 3

9 Warning

Child restraint systems must not be installed on the front passenger seat of any vehicle with airbag systems 3 - risk to life. If the vehicle is equipped with airbag systems, child restraint systems must be mounted on the outboard seats in the rear seat row 3.

Child restraint systems may only be installed on the front passenger seat if the vehicle is not equipped with airbag systems.



Vehicles with a front passenger airbag 3 can be identified by the word **AIRBAG** above the glove compartment and – with the passenger door open – the warning sticker on the side of the dashboard. See Fig. 11704 A.

Vehicles with side airbags 3 can be identified by the word **AIRBAG** on the outboard side of the front seat backrest. See Fig. 12965 H.

Mounting brackets 3 for ISOFIX child restraint systems

Mountings 3 for the attachment of ISOFIX child restraint systems are located between the backrest and seat cushions of the outboard rear seats.

The instructions accompanying the ISOFIX child restraint system are to be expressly followed.

Only ISOFIX child restraint systems approved for the vehicle may be used. We recommend that you consult your Vauxhall Authorised Repairer.

Child restraint system 3

The Vauxhall child restraint system is designed specifically for your Vauxhall and thus provides optimum safety for your child in the event of impact. If a different child safety seat is used, follow the manufacturers' instructions for fitting and use.

The country in which you are driving could require the use of child restraint systems and specific seats. Follow all local and national regulations.

Selecting the right system

Your child should be transported facing rearward in the car as long as possible. Change the system when the height of the child is such that the head extends over the top of the system and is no longer supported at eye level. The child's cervical vertebrae are still very weak. In the event of an accident, they are subjected to less stress in the semi-prone rearward position than when upright.

⚠ Warning

Child restraint systems must not be carried on a passenger's lap. Danger to life.

Note

- z Children under 12 years or under 150 cm tall should only travel in an appropriate child safety seat.
- z When transporting children, use the child restraint systems suitable for the child's weight.
- z Ensure correct installation of child restraint system, see the instructions enclosed with the system.
- z The covers of the Vauxhall child restraint system can be wiped clean.
- z Do not stick anything on the child restraint systems and do not cover them with any other materials.
- z Only allow children to enter and exit at the side facing away from the traffic.
- z A child restraint system which has been subjected to stress in an accident must be replaced.

Permissible options for fitting a child safety seat

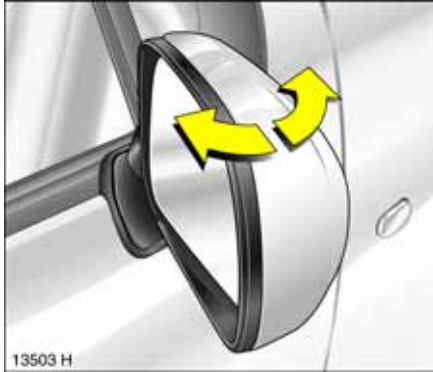
Weight and age class ¹⁾	On front passenger seat of vehicle with airbag systems	On front passenger seat of vehicle without airbag systems	On outer seats in rear row	On centre seat in rear row
0: up to 10 kg or approx. 10 months	X	U	U+	X
0+: up to 13 kg or approx. 2 years				
I: 9 to 18 kg or approx. 8 months to 4 years	X	U	U+	X
II: 15 to 25 kg or approx. 3 to 7 years	X	U	U	X
III: 22 to 36 kg or approx. 6 to 12 years				

X = No child restraint system permitted.

U = Universal suitability in conjunction with three-point seat belt.

+ = Seat with ISOFIX mounting available. When mounting with ISOFIX, only ISOFIX child restraint systems that have been approved for the vehicle may be used. We recommend your Vauxhall Authorised Repairer.

¹⁾ We recommend the use of each system until the child reaches the upper weight limit.



Exterior mirrors

For the safety of pedestrians, the exterior mirrors will swing out of their normal mounting position if they are bumped with sufficient force. Reposition the mirror by applying slight pressure to the mirror housing.

Head restraints

Adjust the head restraints to suit body size 3. See page 39.

Do not mount any objects or components not specifically released for your Agila on the head restraint. They would hinder the protective function of the head restraint and could be thrown uncontrollably through the vehicle in the event of heavy braking or an accident.

Sun visors, glove compartment

The mirror cover in the sun visor and the glove compartment should be closed whilst driving.

Safety accessories 3

The wide range of Vauxhall accessories allows you to equip your Agila in accordance with your own wishes. In addition to safety accessories, items for improving comfort and a complete range of vehicle care products you will find many articles which will be of great value to you when needed.

"Genuine Vauxhall Parts and Accessories" guarantee high quality and accurate fit.

Your Vauxhall Authorised Repairer will be happy to advise you, for example with regard to:

- z Vauxhall child restraint systems,
- z Tow ropes,
- z Tow rods,
- z Jump leads,
- z Spare bulb kit,
- z Spare fuse kit,
- z Halogen fog lights,
- z Mud flaps,
- z Magnetic light,
- z Warning triangle,
- z First-aid kit,
- z First-aid kit (cushion).

Lighting

Headlight range adjustment ?	67
Fog lights > 3	67
Fog tail light	67
Turn signals, hazard warning lights...	67
Reversing lights.....	67
Courtesy light O.....	68
Instrument illumination	68
Information display illumination 3.....	68
Ashtray illumination 3	68
Headlights when driving abroad	68



Exterior lights

Turn light switch:

- 7 = Off
- 8 = Parking lights
- 9 = Dipped beam, main beam

Dipped beam, main beam and headlight flash – see page 10.

In positions 8 and 9, the tail lights and number plate light are also illuminated.

If the ignition is switched off while dipped beam or main beam is on, the parking lights come on 3.

Vehicles with daytime running lights 3:
With the ignition on and the light switch on 7, dipped beam without instrument illumination is on.

The daytime running lights switch off when the ignition is switched off.

Follow the regulations of the country in which you are driving when using daytime running lights and fog lights 3.

Driving abroad – see page 68.



Headlight range adjustment ?

Adjust headlight range to four stages of vehicle loading with dipped beam switched on: turn knurled wheel to desired position.

Correct adjustment of the headlight range reduces dazzle for other road users.

- z Front seats occupied = 0
- z All seats occupied = 1
- z All seats occupied and luggage compartment load = 2
- z Driver's seat occupied and luggage compartment load = 3



Fog lights > 3

On = Press >, > illuminates in instrument panel

Off = Press > again or switch ignition or light off

The fog lights can only be switched on when both the ignition and lights are on.

Fog tail light

On = Press r, r illuminates in instrument panel

Off = Press r again or switch ignition or light off

The fog tail light can only be switched on, when the ignition and dipped beam/parking lights are on.

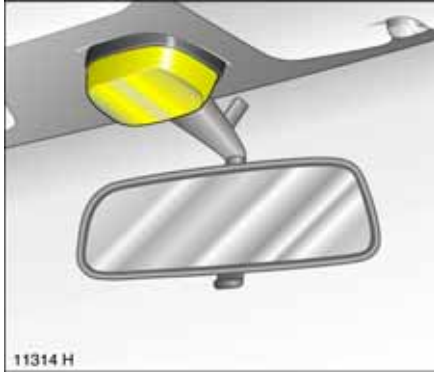
The fog tail lights on the vehicle are deactivated when towing a caravan/trailer.

Turn signals, hazard warning lights

see page 11.

Reversing lights

Come on when reverse gear is engaged and ignition is switched on.



Courtesy light ○

Comes on when a door is opened.



To keep the courtesy light on, pull the light switch.

Instrument illumination

Comes on together with exterior lighting (not when daytime running lights are on 3).

Information display illumination 3

Comes on when the ignition or infotainment system is on.

Ashtray illumination 3

Comes on together with exterior lighting.

Headlights when driving abroad

The asymmetrical dipped beam increases the field of vision on the passenger side of the lane.

This causes glare for oncoming traffic if the vehicle is driven in countries where traffic drives on the opposite side of the road.

To avoid glare, place masking strips on both headlights. We recommend that you consult your Vauxhall Authorised Repairer.

Windows, Sun roof

Electric windows in front doors 3	70
Sun roof 3	71

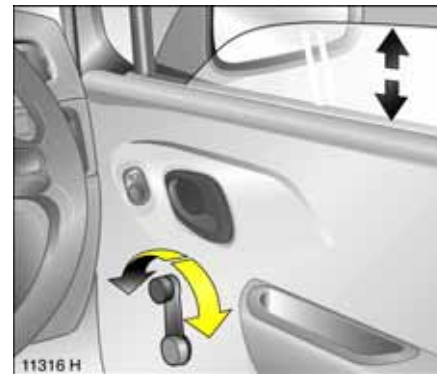
9 Warning

Take care when operating the electric windows 3. Risk of injury, particularly to children.

Vehicle passengers should be informed accordingly.

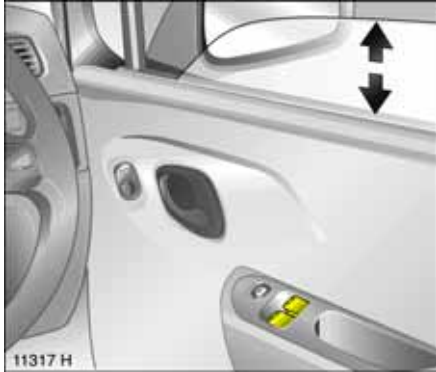
Keep a close watch on the windows when closing them. Ensure that nothing becomes trapped in them as they move.

Before leaving the vehicle, remove the ignition key in order to prevent unauthorized operation of the windows and sun roof.



Door windows

Turn the hand crank clockwise or anticlockwise



Electric windows in front doors 3

Operated via two rocker switches in the driver's door handle - one for the driver's door window and one for the passenger door window. Additional rocker switch in the passenger door handle.

To open:

To open completely, hold the button depressed until the window fully reaches its end position.

To open in stages, press the button briefly.

To close:

To close completely, hold the button depressed until the window is completely closed.

To close in stages, press the button briefly.



Sun roof 3

Tilt crank out of recess.

To open:

Press unlocking button. Turn crank to left.

When the crank will not turn any further the sun roof has reached the comfort position, and air noise will be reduced.

To open beyond the comfort position: press unlocking button again. Continue to turn crank to the left.

To close:

Turn crank to right.

When the crank will not turn any further the sun roof has reached the comfort position. Press unlocking button again and continue to turn crank to right until sun roof is closed.

The unlocking button is automatically released when the sun roof reaches the closed position.

To raise:

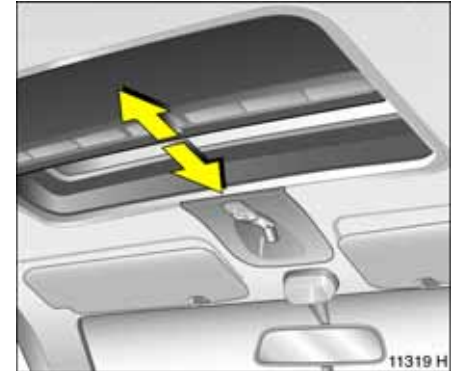
Close sun roof and press unlocking button. Turn crank to right.

To lower:

Turn crank to left.

The unlocking button is automatically released when the sun roof reaches the closed position.

After operating the sun roof, always return the crank to the recess.



Sun shade

The sun shade can be opened and closed with the sun roof either closed or raised.

When the sun roof is opened, the sun shade is also opened.

Climate control

Air vents	73
Air recirculation system	74
Heated rear window Ü	74
Heating and ventilation system	75
Air conditioning system 3	78
Air intake	80
Air outlet.....	80
Pollen filter 3	80
Note	80
Maintenance	81



Heating and ventilation system, air conditioning system 3

Ventilation, heating and cooling 3 are combined into one unit that is designed to provide comfort regardless of the season, weather or outside temperature.

When cooling 3 is activated, the air is cooled and dried.

The heating unit heats the air as required in all operating modes depending on the position of the temperature switch. The air supply can be adjusted to suit requirements by means of the fan.

The slider for the air recirculation system can be used to block the air supply from outside.



Button n for cooling (in temperature rotary switch) is only found on vehicles equipped with the optional air conditioning system 3. See page 78.



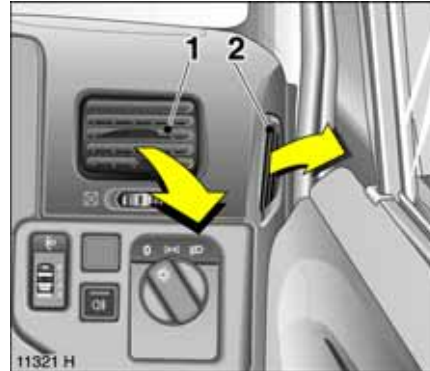
Air vents

Pleasant ventilation of the head area is achieved, depending on the position of the temperature switch and the air distribution switch (L or M).

To increase the air supply, set the fan to a higher speed and set the air distribution switch to M.

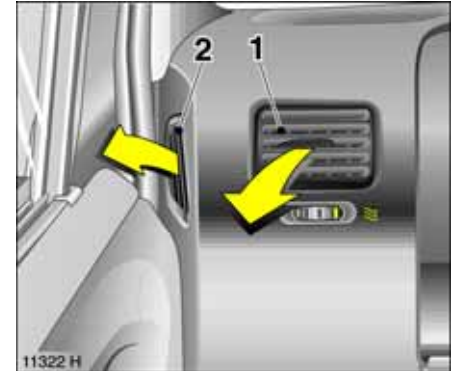
Centre and side air vents (1)

The air flow can be directed as desired by tilting and swivelling the slats.



Open side vents: Turn knurled wheel clockwise.

To close the side vents, turn knurled wheel anticlockwise.



Windscreen defroster nozzles (2)

Air distribution switch set to V or J : Air is directed onto the windscreen and the door windows.

Additional vents

Located in front of the windscreen, in front of the door windows and in the front footwell.



Air recirculation system

To activate:

Push slider to left 4, air supply from the outside is blocked.

If fumes or unpleasant odours penetrate from outside: temporarily switch on the air recirculation system. To circulate the passenger compartment air, switch on the fan too.

The air recirculation system minimises the entry of outside air. The humidity increases, and the windows can mist up. The quality of the passenger compartment air deteriorates which may cause the vehicle occupants to feel drowsy.


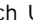
To deactivate:

Push slider to right 5, air is fed in from the outside again.



Heated rear window

Operating using the fan switch:

On = Pull fan switch 
 Off = Press fan switch 

Symbol illuminates when heated rear window is switched on.

Heating operational only with engine running.

Switch off as soon as rear vision is clear.

General information, as well as information on air intake, air outlet, pollen filter and maintenance, see pages 80, 81.



Heating and ventilation system

Left-hand rotary switch: Temperature
 red zone = warm
 blue zone = cold



Centre rotary switch: Quantity of air
 Four fan speeds:
 x Off
 4 Maximum air flow

The rate of air flow is determined by the fan. The fan should therefore also be switched on during a journey.



Right-hand rotary switch: Air distribution

- K to foot well
- J to windscreen, front door windows and to foot well
- V to windscreen and front door windows
- M to head area
- L to head area and footwell,

Open the air vents when the switch is set to L or M.



Ventilation

- z Set temperature switch to desired setting.
- z Switch fan on at desired setting.
- z For maximum ventilation in head area:
Set air distribution switch to M and open all vents.
- z For ventilation to foot well: Set air distribution switch to K .
- z For simultaneous ventilation to the head area and the foot well: Set air distribution switch to L .

Heating

The amount of heat is dependent on the engine temperature and is thus not fully attained until the engine is warm.

For rapid warming of the passenger compartment:

- z Set the temperature switch in the red zone.
- z Set the fan to speed 3.
- z Set the air distribution switch to the desired position – see page 75.

The comfort and general well-being of the vehicle occupants are to a large extent dependent on a suitable ventilation and heating setting.



Heating the foot well

- z Set the temperature switch in the red zone.
- z Switch on fan.
- z Set air distribution switch to K.
- z Keep side air vents closed during the warming-up phase.



Demisting and defrosting the windows

⚠ Warning

Failure to follow the instructions could lead to misted or icy windows and accidents stemming from impaired visibility.

- z Turn the temperature switch as far into the red zone as possible,
- z Set fan to 3 or 4,
- z Set air distribution switch to V ,
- z Open side air vents as required and direct them towards door windows,
- z Switch on heated rear window Ü ,
- z For simultaneous warming of the foot well, set air distribution switch to J .

Air conditioning system 3

As a supplement to the heating and ventilation system, the air conditioning system cools and dehumidifies (dries) inflowing air.

If cooling or dehumidification is not desired, switch off cooling in order to save fuel.

At low outside temperatures the cooling unit (air conditioning compressor) switches off automatically.



Cooling n

Operational only when engine is running.

On = Pull temperature switch n

Off = Press temperature switch n

Control indicator in pushbutton.

Set the fan to the desired setting.



Comfort setting

z Move air recirculation slider to right 5 .

z Activate cooling n as desired.

z Set temperature switch to desired setting.

z Set fan to desired speed.

z Set air distribution switch to M or L .

z Open side air vents as required.



Maximum cooling

Open windows and sun roof 3 briefly so that warm air can escape rapidly.

- z Move air recirculation slider to left 4 .
- z Cooling on: pull n .
- z Turn the temperature switch as far into the blue zone (cold) as possible.
- z Set fan to 4.
- z Set air distribution switch to M.
- z Open all vents.



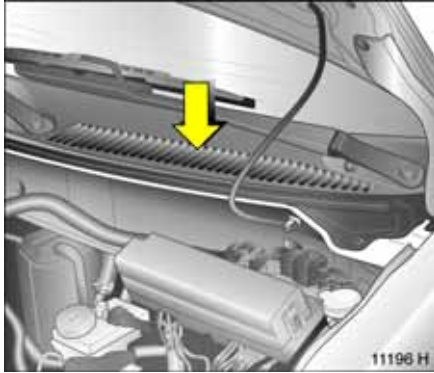
Demisting and defrosting windows

⚠ Warning

Failure to follow the instructions could lead to misted or icy windows and accidents stemming from impaired visibility.

Misted or icy windows, e. g. due to damp weather, damp clothing or low outside temperatures:

- z Move air recirculation slider to right 5 .
 - z Cooling on: pull n ,
 - z Set temperature switch to desired setting,
 - z Set fan to desired speed ,
 - z Set air distribution switch to V
 - or –
 - if there is still moisture in the system after previous air conditioning operation, the windows may mist up. To prevent this, set air distribution to K before starting engine and set to V approx. 5 seconds after starting.
 - z Switch on heated rear window Ü .
- Operation with cooling (air conditioning compressor) is not possible when outside temperatures are low.



Air intake

The air intakes in front of the wind screen on the far left and right-hand sides of the engine compartment must be kept free of leaves, dirt and snow.

Air outlet

When transporting objects in the luggage compartment, make sure the air outlets are not covered.

Pollen filter 3

The pollen filter cleans the air entering from outside, or if the air circulation system 3 is switched on, filtering dust, soot, pollen and spores out of the interior air.

The pollen filter must be replaced at the intervals specified in the Service Booklet.

Note

If the windscreen mists up during damp weather conditions, set the system as described under "Window demisting". See pages 77, 79.

The cooling system (air conditioning compressor) only operates when the engine is running.

Cooling 3 functions most efficiently when the windows and sun roof 3 are closed. If the passenger compartment has heated up considerably after a long period in direct sunlight, briefly open the windows and sun roof 3 so that the hot air can escape quickly.

When cooling 3 (air conditioning compressor) is switched on condensation forms, which is expelled from the underside of the vehicle.

At least one air vent must be open while cooling 3 (air conditioning compressor) is on in order to prevent the evaporator from icing up due to lack of air movement.

Maintenance

In order to ensure consistently good operation, the air conditioning compressor 3 must be switched on for several minutes once per month irrespective of the weather or time of year. Operation with cooling (air conditioning compressor) 3 is not possible when outside temperatures are low.

In the event of a fault, consult a workshop. We recommend your Vauxhall Authorised Repairer.

Driving Hints

The first 600 miles

Drive your vehicle at various speeds. Do not use full throttle. Never allow the engine to labour at low revs.

Make good use of all gears. In all gears depress the accelerator pedal a maximum of around three quarters of the available pedal travel.

Do not drive faster than three quarters of maximum speed.

Do not brake unnecessarily hard for the first 125 miles.

Never coast with engine not running

Many units will not function in this situation (e.g. brake servo unit, power steering 3). Driving in this manner is a danger to yourself and others.

Brake servo unit

When the engine is not running, the brake servo unit is no longer effective once the brake pedal has been depressed once or twice. Braking effect is not reduced, but significantly greater force is required for braking.

Electric power steering 3

If the power-assisted steering fails when being towed with the engine switched off, the vehicle can still be steered, but considerably more force is required.

Driving in mountainous terrain or with a trailer/caravan

The cooling fan is electrically operated. Its cooling power is therefore independent of the engine speed.

Since a considerable amount of heat is generated at high engine speeds and less at slower speeds, do not shift down when climbing hills whilst the vehicle is still coping with the gradient in the higher gear.

Driving with a roof load

Do not exceed the permissible roof load and maximum loading height, see pages 102, 150. For reasons of safety, distribute the load evenly and secure it properly with retaining straps so that it cannot slip. Adjust the tyre pressure to suit the load. Do not drive faster than 75 mph. Check and retighten the straps frequently.

Switching off the engine

When you switch off, fans in the engine compartment may continue running for a time to cool the engine.

If the engine temperature is very high, e.g. after driving in mountainous terrain: allow the engine to idle for approximately two minutes in order to prevent heat accumulation.

Vehicles with turbocharged engine

After running at high engine speeds or high engine loads, operate the engine briefly at a low load or run in neutral for approx. 30 seconds before switching off in order to protect the turbocharger.

Save energy – more miles

Please observe the running-in hints on the previous page and the tips for energy saving on the following pages.

Good, technically correct and economical driving ensures maximum durability and performance for your vehicle.

Overrun

The fuel supply is automatically shut off during overrun, e.g. when the vehicle is being driven down long gradients or when braking. To enable the overrun cut-off to take effect, do not accelerate during overrun and do not de-clutch. To prevent damage to the catalytic converter, overrun cut-off is temporarily deactivated when the catalytic converter temperature is high.

Vehicles with turbocharged engine

Flow-generated noises may be audible if the accelerator is released quickly due to air flow in the turbocharger.

Engine speed

Drive in a low engine speed range for each gear as much as possible.

Warming up

Allow the engine to warm up while driving. Do not warm it up by letting it run at idling speed. Do not apply full throttle until the engine has reached operating temperature.

Correct gear selection

Do not race your engine whilst in neutral or with a low gear selected. Driving too fast in individual gears as well as stop-and-go traffic increase engine wear and fuel consumption.

Change down

When decreasing speed, shift down into the next lowest gear. Do not slip the clutch with a high-revving engine. This is especially important when hill climbing.

Clutch operation

Always depress the clutch pedal hard to the floor to prevent shifting difficulties and transmission damage.

When driving do not use the pedal as a foot rest; this will cause substantial clutch wear.

Pedals

Do not place any objects in the foot well which could slip under the pedals and inhibit the pedal travel.

To ensure the pedal travel is uninhibited, there must be no mats in the area of the pedals.

Battery care

When driving slowly or when the vehicle is stationary, e.g. in slow urban traffic, stop-and-go traffic or traffic jams, turn off all unnecessary electrical loads where possible (e.g. heated rear window, auxiliary headlights, etc.).

Declutch when starting in order to relieve the strain on the starter and the battery.

Saving fuel, Protecting the environment

Trend-setting technology

When developing and manufacturing your vehicle, Vauxhall used environment-friendly and predominantly recyclable materials. The production methods used to make your vehicle are likewise environmentally-compatible.

Recycling of production wastes keeps the circulation of material closed. Reduction of energy and water requirements also helps to conserve natural resources.

A highly advanced design means that your vehicle can be easily disassembled at the end of its service life, and the individual materials separated for subsequent re-use.

Materials such as asbestos and cadmium are not used. The refrigerant in the air conditioning system is CFC-free.

New painting techniques employ water as a solvent.

End-of-life vehicle recovery

For detailed information on Vauxhall's on-going commitment to achieving an environmentally sustainable future, including design for recycling, take back of End-of-Life Vehicle (ELVs) and the recycling of ELVs, view www.vauxhall.co.uk/recycling for details.

Energy and environment-conscious driving

- z High noise levels and exhaust emissions are often a result of driving without due attention to saving energy and protecting the environment.
- z You should therefore drive with energy in mind – "more miles with less fuel".

Reduce the noise level and exhaust emissions by adopting an environment-conscious driving style. This is extremely worthwhile and improves the quality of life.

Fuel consumption depends to a great extent on your own personal driving style. The following hints will help you to achieve fuel consumption as close as possible to the specified levels – see pages 148 to 149.

Check your vehicle's fuel consumption every time you refuel. This facilitates early detection of any irregularities causing increased fuel consumption.

Warming up

- z Full throttle and warming up at idle speed increase wear, fuel consumption, exhaust emission, the amount of pollutant in the exhaust and the amount of noise.
- z Drive off immediately after starting. Warm up the engine by running it at moderate engine speeds.

Uniform speed

- z Hectic driving significantly increases fuel consumption, the exhaust emissions, the proportion of pollutant in the exhaust gas and the noise level.
- z Do not accelerate and brake unnecessarily. Drive at uniform speed, watching the road.

Avoid frequent starting off and stopping e.g. at traffic lights, in short distance traffic and in queues of traffic by means of clever planning. Select roads with good traffic flow.

Idling

- z The engine also consumes fuel when idling.
- z If you have to wait for more than one minute, it is worthwhile switching off the engine. Five minutes of idling corresponds to approximately one 0.6 miles of driving.

Overrun

- z The fuel supply is automatically shut off during overrun, e.g. when the vehicle is being driven down long gradients or when braking – see page 83.
- z To enable the overrun cut-off to come into action and save fuel, do not accelerate or declutch during overrun.

Correct gear selection

- z High revs increase engine wear and fuel consumption.
- z Do not race your engine. Avoid driving at high engine speeds.

Making use of the tachometer 3 helps to save fuel. Drive in a low engine speed range for each gear as much as possible with uniform engine speeds. Drive as often as possible in top gear, select the next higher gear as soon as possible, and only change down when the engine is no longer running perfectly smoothly.

High speed

- z The higher the speed, the higher the consumption and the noise level. At top speed, you consume a great deal of fuel and produce excessive noise and exhaust emissions.

- z Slightly releasing the accelerator pedal results in distinct fuel savings with no major loss of speed.

Drive at no more than around three quarters of maximum speed and you will use up to 50 % less fuel, without losing a great deal of time.

Tyre pressure

- z Inadequate tyre pressure, leading to higher road resistance, costs money in two ways: for more fuel and increased tyre wear.
- z Regular checks (every 14 days) pay off.

Electrical loads

- z The power consumption of electrical equipment increases fuel consumption.
- z Switch off all auxiliary electrical loads (e.g. air conditioning 3, heated rear window) when not needed.

Roof racks

- z Due to air resistance, a roof load can increase fuel consumption by approx. 3.5 gals/h.
- z Remove them if they are not being used.

Repair and maintenance

- z Improper repairs or adjustment and maintenance work can increase fuel consumption. Do not carry out work on the engine yourself.

You may out of ignorance infringe environmental laws by not disposing of materials properly.

Appropriate parts might not be recycled.

Contact with some of the materials involved may pose a health hazard.

- z We recommend that repair and maintenance be entrusted to your Vauxhall Authorised Repairer.

Extreme driving conditions

- z Going up steep slopes, cornering, driving on poor roads and winter driving all increase fuel consumption.
- z Fuel consumption increases dramatically in urban traffic and at winter temperatures, especially on short trips when the engine operating temperature is not reached.
- z Follow the hints given above to keep consumption to a minimum under such conditions.

Fuel consumption, fuel, refuelling

Fuel consumption	86
Fuel for petrol engines	86
Fuel filler cap.....	87
Refuelling	87

Fuel consumption

Fuel consumption is determined under specific driving conditions – see page 148.

Fitting special equipment will increase the weight of the vehicle. This in turn increases fuel consumption and reduces the specified maximum speed of the vehicle.

For the first few thousand miles, friction between the engine and transmission components is higher. This increases fuel consumption.

Fuel for petrol engines

Commercially available high-quality fuel with a maximum ethanol content of 5% as per DIN EN 228 (catalytic converter - see page 88, octane numbers - see page 146).

Fuel quality has a decisive influence on power output, running behaviour and service life of the engine. The additives contained in the fuel play an important role in this regard. You should therefore only use high-quality fuels containing additives.

Fuels with ethanol content greater than 5% do not comply with DIN EN 228 and must not be used unless the vehicle has been specifically developed and approved for use of such.

Fuel with too low an octane number can cause pinging. Vauxhall cannot be held liable for resulting damage.

Petrol with a higher octane number can always be used.

Pump nozzles for leaded fuel cannot be inserted into the filler neck of vehicles that operate on unleaded fuel.

The ignition timing is automatically adjusted according to the grade of fuel used (octane number) – see page 146.

Use of petrol with an octane rating of 95 will ensure economical driving.

Fuel filler cap

If the fuel filler cap must be replaced, use only the Genuine Vauxhall fuel filler cap designed for your model to ensure that full functionality is retained. Vehicles with diesel engine have a special fuel filler cap.

Refuelling

9 Warning

Care must be taken when handling fuel.

Before refuelling, switch off engine and any external heaters with combustion chambers before refuelling. Switch mobile phones off.

Fuel is flammable and explosive. Avoid naked flames or sparks when handling fuel or just in its vicinity. Do not smoke. This also applies where fuel is perceptible only from its characteristic odour. If fuel odours occur in the vehicle itself, eliminate the cause immediately. We recommend your Vauxhall Authorised Repairer.

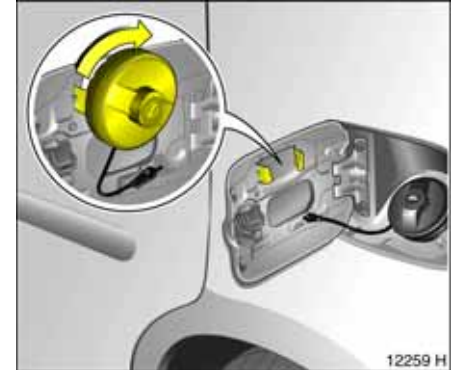
The fuel tank filler neck with screw cap is located on the left-hand side of the vehicle in the rear quarter panel.

Open the tank flap.

To open, unlock the fuel filler cap with the ignition key 3 and carefully unscrew so that the excess pressure can slowly dissipate.

Attach filler cap to bracket on flap and turn to secure.

The fuel tank has a limiting system which prevents overfilling of the tank.



Correct filling depends to a large extent on proper operation of the fuel dispensing pump:

1. Fully insert the pump nozzle and switch it on.
2. After the automatic cut-off, another two litres (max.) can be topped up in stages.

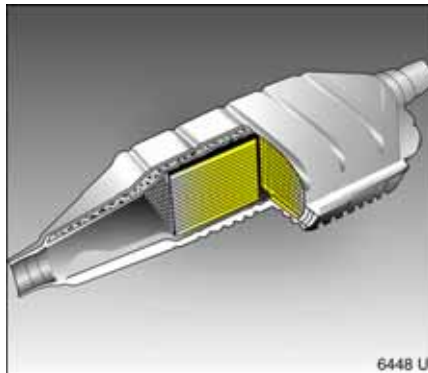
To close, replace filler cap and turn, overcoming the resistance, until the lock on the cap engages audibly. Lock filler cap with ignition key 3.

Close fuel tank cover.

Wipe off any overflowing fuel immediately.

Catalytic converter, exhaust gases

Catalytic converter for petrol engines	88
Controlling exhaust emission.....	89
Exhaust gases.....	90
Maintenance	91



Catalytic converter for petrol engines

Leaded fuel will damage the catalytic converter and parts of the electronic system, rendering them inoperative.

Use of high-quality fuels other than those specified on page 86 (e.g. LRP¹⁾) could damage the catalytic converter.

On vehicles with a catalytic converter, the fuel tank filler neck is of a narrow design so that a dispensing pump for leaded fuel cannot be inserted.

Damage to the catalytic converter or the vehicle may result if the following points are not observed:

- z Consult a workshop, such as your Vauxhall Authorised Repairer, as quickly as possible in the event of misfiring, irregular engine running following a cold start, a significant loss of engine power or other unusual malfunctions which may indicate a fault in the ignition system. If necessary, driving may be continued for a short time at a low speed and with a low engine speed.
- z If unburnt fuel enters the catalytic converter, this may result in overheating and irreparable damage to the catalytic converter.

You should therefore avoid unnecessarily long use of the starter when starting off, running the tank dry (an irregular fuel supply will lead to overheating) and starting the engine by pushing or towing.

¹⁾ LRP = Lead Replacement Petrol.

z If emission control indicator Z flashes, slow down until the flashing stops and the control indicator shines with a steady glow. Contact a workshop immediately. We recommend your Vauxhall Authorised Repairer – see Emission control indicator Z .



Controlling exhaust emission

Through design-related measures – mainly in the area of the fuel-injection and ignition systems – the proportion of noxious materials in the exhaust, such as carbon monoxide (CO), hydrocarbons (HC) and nitrogen oxides (NO_x), is reduced to a minimum.

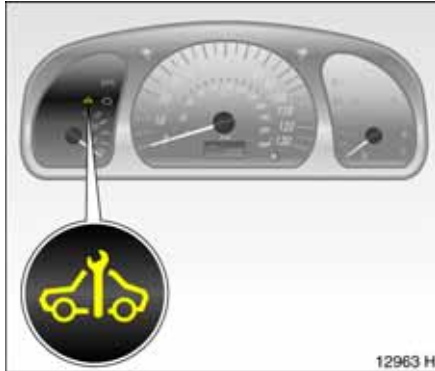


Control indicator Z for exhaust gases

Illuminates when ignition is switched on and during start attempt. Goes out shortly after engine starts.

If it illuminates while the engine running there is a fault in the emission control system. The permitted emission values may be exceeded. Consult a workshop immediately. We recommend your Vauxhall Authorised Repairer.

Flashing with the engine running indicates a fault that may damage the catalytic converter. You can continue to drive without causing damage by slowing down until the flashing stops and the control indicator is steady. Consult a workshop immediately. We recommend that you consult a Vauxhall Authorised Repairer.



Control indicator A for engine electronics

Illuminates for a few seconds when the ignition is switched on.

If it illuminates when the engine is running, there is a fault in the engine electronics system. The electronics switch to limp-home mode, fuel consumption may increase and the driveability of the vehicle may be impaired.

In some cases, the fault can be remedied by switching the engine off and on again. If the control indicator illuminates again when the engine is running, consult a workshop to have the cause of the fault remedied. We recommend your Vauxhall Authorised Repairer.

If it illuminates briefly, but does not recur, it is of no significance.

If it flashes after the ignition is switched on, there is a fault in the immobiliser system.

The engine cannot be started – see page 29.

Exhaust gases

9 Warning

Engine exhaust gases contain poisonous carbon monoxide, which is colourless and odourless and could be fatal if inhaled.

If exhaust fumes penetrate the vehicle interior, open the windows and consult a workshop immediately. We recommend your Vauxhall Authorised Repairer.

When the vehicle is driven for the first time, wax and oil on the exhaust system may evaporate, producing smoke. After driving the vehicle for the first time, allow it to stand in open air to allow the fumes to evaporate and do not inhale.

Maintenance

Have all maintenance work carried out at the intervals specified by Vauxhall. We recommend that you entrust this work to your Vauxhall Authorised Repairer, who has proper equipment and trained personnel available. Electronic testing systems permit rapid diagnosis and remedy of faults. This way you can be certain that all components of the vehicle's electrical, injection and ignition systems operate correctly, that your vehicle has a low level of pollutant emission and that the catalytic converter system will have a long service life.

You are thereby making an important contribution towards keeping the air clean and compliance with emissions legislation.

Checking and adjustment of the fuel-injection and ignition systems is part of the scope of inspection. For this reason you should have all maintenance work carried out at the intervals specified in your Service Booklet.

Brakes

Brake system..... 92
 Anti-lock brake system (ABS u) 3.... 94

Brake system

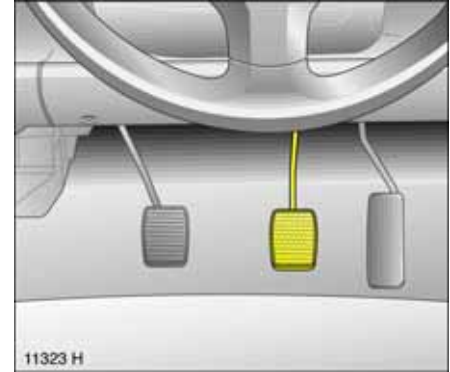
The brakes are an important factor for traffic safety.

To improve effectiveness, do not brake unnecessarily hard for the first 120 miles (200 km) after new brake pads have been fitted.

Brake pad wear must not exceed a specified limit. Regular maintenance as detailed in the Service Booklet is therefore of the utmost importance for traffic safety.

Have worn brake pads replaced. We recommend that you consult your Vauxhall Authorised Repairer, who will fit pads that have been tested and approved by Vauxhall and guarantee optimum braking power.

Brake pads that have worn down to the minimum thickness will squeal. Driving may be continued. Have the brake pads replaced as soon as possible. Consult a workshop for brake pad replacement. We recommend your Vauxhall Authorised Repairer.



Foot brake

The foot brake comprises two independent brake circuits.

If a brake circuit fails, the vehicle can still be braked using the other brake circuit. If this occurs, however, the brake pedal must be depressed quite far using considerable force before braking effect occurs. The distance required for braking will be greater. Consult a workshop before continuing your journey. We recommend your Vauxhall Authorised Repairer.

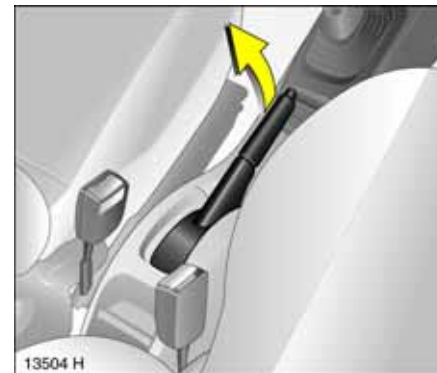
To ensure the full pedal travel can be utilized, especially in case of a fault in one of the brake circuits, there must be no mats in the vicinity of the pedals – see page 83.

When the engine is not running, the support of the brake servo unit disappears once the brake pedal has been depressed once or twice. Braking effect is not reduced, but braking requires significantly greater force. This is especially important to bear in mind when towing.

Check the brake lights before starting out on a journey.

Shortly after starting each journey the effectiveness of the brake system should be tested at low speed and without inconveniencing other traffic, especially if the brakes are wet, e.g. after the vehicle has been washed.

The brake fluid level should be checked regularly. If the brake fluid level is too low and the hand brake is not applied, control indicator R on the instrument panel illuminates – see page 20.



Hand brake

Always apply hand brake firmly. On slopes apply the hand brake as firmly as possible.

The mechanical hand brake acts on the brakes on the rear wheels. It engages automatically when applied.

To release the hand brake pull the lever up slightly, press the ratchet knob, and fully lower the lever.



Brake system control indicator

The control indicator illuminates when the ignition is switched on if the hand brake is applied or if the brake fluid level is too low. Brake fluid level - see page 136.

Warning

If the control indicator illuminates when the hand brake is not applied: Stop. Interrupt your journey immediately. Consult a workshop. We recommend your Vauxhall Authorised Repairer.

Illuminated together with the control indicator for the Anti-lock Brake System \cup : the braking force on the rear wheels is not being regulated. The vehicle may swerve during braking. Have the cause of the fault remedied. We recommend that you consult your Vauxhall Authorised Repairer.

Anti-lock brake system (ABS \cup)

ABS continually monitors the brake system and prevents the wheels from locking regardless of the type of road surface or tyre grip.

It starts to regulate the braking pressure as soon as a wheel shows a tendency to lock. The vehicle remains steerable, even in the event of very heavy braking, for instance on bends or when swerving to avoid an obstacle. Even in the case of full-on braking, the ABS makes it possible to drive round an obstacle without releasing the brakes.

ABS control is made apparent though a pulse in the brake pedal and the noise of the regulation process.

⚠ Warning

For optimum braking, keep the brake pedal fully depressed throughout the braking process, despite the fact that the pedal is pulsating. Do not reduce the pressure on the pedal.

Do not let this special safety feature tempt you into taking risks when driving.

Traffic safety can only be achieved by adopting a responsible driving style.



Control indicator \cup for ABS

When the ignition is switched on, the control indicator illuminates for a few seconds while the system performs a self-check, which may be audible. The system is ready for operation when the control indicator goes out.

If the control indicator does not go out after a few seconds, or if it illuminates while driving, there is a fault in the ABS. The brake system remains operational without ABS regulation.

⚠ Warning

If there is a fault in ABS, the wheels may be subject to locking due to braking that is heavier than normal. The advantages of ABS are no longer operational. The vehicle can no longer be steered and may swerve.

You can continue driving, provided you drive with care and anticipation.

Have the cause of the fault remedied. We recommend that you consult your Vauxhall Authorised Repairer. The system's integrated self-diagnostics allows faults to be quickly remedied.

⚠ Warning

If the ABS control indicator illuminates together with the control indicator for the brake system R, the braking force on the rear wheels is not being regulated. The vehicle may swerve during braking. Have the cause of the fault remedied. We recommend that you consult your Vauxhall Authorised Repairer.

Wheels, Tyres

Tyre pressure.....	97
Tyre condition, wheel condition	98
Winter tyres 3	100
Wheel covers 3	100
Tyre chains 3	100

Tyres

See page 152 for suitable tyres and restrictions.

Tyres fitted in the factory are adapted to the chassis and provide optimum driving comfort and safety.

Changing tyre/wheel type

Before switching to different tyres or wheels, seek advice on the technical possibilities. We recommend that you consult your Vauxhall Authorised Repairer, who will be able to advise you of any necessary modifications.

⚠ Warning

Use of unsuitable tyres or wheels may lead to accidents and render the vehicle unroadworthy.

Fitting new tyres

Fit tyres in pairs or in sets, which is even better. Ensure that tyres on one axle are

- z the same size
- z the same design
- z the same make
- z and have the same tread pattern.

Fit directional tyres such that they roll in the direction of travel. The rolling direction is indicated by a symbol (e.g. an arrow) on the sidewall.

Tyres fitted opposing the rolling direction (e.g. when a wheel is changed) should be refitted as soon as possible. This is the only way to benefit fully from the design properties of the tyres.

⚠ Warning

We recommend that you have your tyres changed by your Vauxhall Authorised Repairer, who will be familiar with the requirements of the law as regards disposal of tyres and can thus help to protect the environment and your health.

Some brands of tyres have a beaded edge for alloy wheels to protect against damage. If wheel covers are used on steel wheels with beaded-edge tyres, the following requirements must be fulfilled:

- z Use of wheel trims and tyres that approved by Vauxhall for the vehicle in question and thereby fulfil all requirements for the wheel and tyre combination.
- z If the wheel covers and tyres used are not Vauxhall-approved, the tyres must not have a beaded edge.

9 Warning

Use of unsuitable tyres or wheel covers could lead to sudden pressure loss and thereby accidents.



Tyre pressure

Check tyre pressures, including the spare wheel, at least every 14 days and prior to any long journey; the tyres should be checked when cold. Don't forget to check the spare.

For tyre pressures refer to page 152 and the adhesive label on the left-side front door frame. After changing tyre sizes, have the label replaced.

Do not reduce tyre pressure when the tyres are warm. Otherwise the pressure may drop below the permissible minimum when the tyres cool down.

Securely retighten valve caps after checking the tyre pressures.



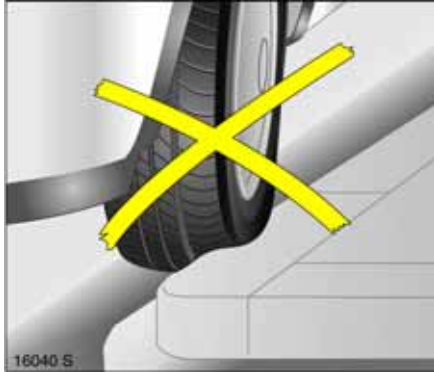
Incorrect inflation pressures will impair safety, vehicle handling, comfort and fuel economy and will increase tyre wear.

If the pressure is too low, this can result in considerable tyre warm-up and internal damage, leading to tread separation and even to tyre blow-out at high speeds.

Hidden tyre damage is not eliminated by adjusting inflation pressure.

9 Warning

Incorrect tyre pressure could lead to a flat tyre.



Tyre condition, wheel condition

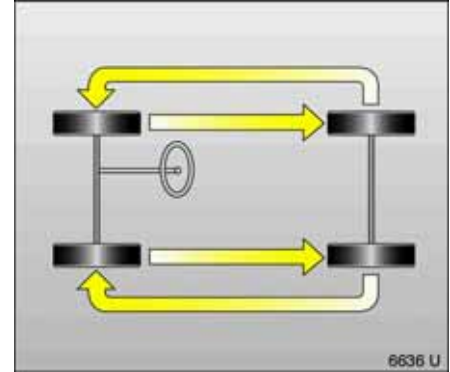
Drive over edges slowly and at a right angle if possible. Driving over sharp edges can lead to hidden tyre damage and wheel damage which is only noticed later on.

When parking, ensure that the tyres are not pressed against the edge of the kerb.

Check tyres regularly for damage (foreign bodies, punctures, cuts, cracks, bulges in sidewalls). Check wheels for damage. In the event of damage or abnormal wear, consult a workshop. We recommend your Vauxhall Authorised Repairer.

⚠ Warning

Damage may lead to tyre blow-out.



Tread depth

Check tread depth regularly.

If wear in the front is greater than that in the rear, move the rear wheels to the front axle and vice versa.

Correct tyre pressure.

For reasons of safety, tyres should be replaced when their tread depth has worn down to 2 to 3 mm (winter tyres: 4 mm).



The legally permissible minimum tread depth (1.6 mm) has been reached when the tread has worn down as far as one of the wear indicators (TWI¹). A number of wear indicators are spaced at equal intervals around the tyre within the tread. Their position is indicated by markings on the tyre sidewall.

General information

- z The danger of aquaplaning is greater if the tyres are worn.
- z Tyres age, even if they are used only very little or not at all. A spare wheel which has not been used for six years should be used only in emergencies; drive slowly when using such tyres.
- z Never fit used tyres the previous history and use of which you do not know.
- z So as not to impair brake cooling, use only wheel trims approved for use on your vehicle.

Tyre designations

Meaning:

e.g. 155/65 R 14 75 S

155 = Tyre width in mm

65 = Aspect ratio

(tyre height to tyre width in %)

R = Belt type: Radial

14 = Wheel diameter in inches

75 = Load index

Ex. 75 = 390 kg

S = Speed code

Speed code letters:

Q Up to 100 mph

S Up to 112 mph

T Up to 118 mph

H Up to 130 mph

V Up to 150 mph

W Up to 168 mph

¹⁾ TWI = Tread Wear Indicator.

Winter tyres 3

Information on fitting new tyres – see page 96.

See page 152 for restrictions.

Winter tyres improve safety at temperatures below 7 °C and should therefore be fitted on all the wheels.

The design of summer tyres means they have limited qualities for winter driving.

If the maximum permissible speed for the winter tyres is less than that of the vehicle, a notice indicating the maximum permissible speed for the tyres must be affixed within the driver's field of vision¹⁾.

If you use the spare wheel when it is fitted with a summer tyre, the vehicle's driveability may be affected, especially on slippery road surfaces. Obtain a replacement for the faulty tyre as soon as possible, and have the wheel balanced and fitted to the vehicle.

Wheel covers 3

If the wheel trims and tyres used are not Vauxhall-approved, make sure that the tyres do not have a beaded edge – see page 96.



Tyre chains 3

See page 152 for restrictions.

Tyre chains are permitted on the front wheels. They must be fitted to the tyres symmetrically in order to achieve a concentric fit.

Use fine mesh chains. See page 152.

We recommend that you consult your Vauxhall Authorised Repairer.

¹⁾ Varies from country to country on account of national regulations.

Wheel trim on steel wheels could come into contact with parts of the chain and be damaged. Remove the wheel trim – see page 114.

Tyre chains may only be used at speeds up to 30 mph and, when travelling on roads that are free of snow, they may be used for brief periods only since they are subject to rapid wear on a hard road and may snap.

Temporary spare wheel 3

Tyre chains must not be used on the temporary spare wheel. If you need to use tyre chains after suffering a flat front tyre, fit the temporary spare on the rear axle and transfer one of the rear wheels to the front axle.

For notes on the temporary spare wheel – see page 111.

Wheel changing – see page 114.

Correcting tyre pressure – see pages 97, 152.

Roof racks, caravan and trailer towing

Towing equipment 3	103
Caravan/trailer loads	103
Coupling socket load.....	104
Rear axle load during towing.....	104
Tyre pressure.....	104
Driving characteristics, towing tips	104
Starting on inclines	105

9 Warning
Disregard of these notes can lead to injuries which may be fatal. Vehicle passengers should be informed accordingly.

Roof racks 3

For reasons of safety and to avoid damaging the roof, we recommend that you use the Vauxhall roof rack system approved for your vehicle. Consult your Vauxhall Authorised Repairer.

Fasten the roof rack following the instructions that accompany the system.

Driving hints – see page 82.

Towing equipment 3

Use only towing equipment that has been approved for your vehicle. We recommend entrusting the retrofitting of towing equipment to your Vauxhall Authorised Repairer, who will advise you on any possible towed load increases. Your Vauxhall Authorised Repairer has instructions on how to install the towing equipment and make any necessary changes to the vehicle that affect the cooling system, heat shields or other equipment.

Mounting dimensions of towing equipment – see page 157.

Caravan/trailer loads¹⁾

The permissible caravan/trailer loads are vehicle-dependent and engine-dependent maximum values which must not be exceeded. The actual caravan/trailer load is the difference between the actual gross weight of the caravan/trailer and the actual coupling socket load with the caravan/trailer coupled. When the caravan/trailer load is being checked, therefore, only the caravan/trailer wheels – and not the jockey wheel – must be standing on the weighing apparatus.

The permissible caravan/trailer loads for your vehicle are given in the vehicle documents. Unless otherwise stated, they are valid for gradients up to max. 12 %.

The permissible caravan/trailer load should be fully utilised only by drivers who are adequately experienced in towing large or heavy caravans/trailers.

The permitted caravan and trailer load applies up to the specified incline and up to an altitude of 1000 metres above sea level. Since engine power decreases as altitude increases because of the air becoming thinner, therefore reducing climbing ability, the permitted towing weight also decreases by 10 % for every 1000 metres of additional altitude commenced. The towing weight does not have to be reduced when driving on roads with slight inclines (less than 8%, e.g. motorways).

The actual caravan/trailer load plus the actual gross weight of the towing vehicle must not exceed the maximum permitted towing weight. For example, if the permitted gross vehicle weight is utilised, the trailer/caravan load must only be used until the maximum permitted towing weight is reached. The maximum permitted towing weight is shown on the identification plate, see page 144.

¹⁾ Observe national regulations.

Coupling socket load

The coupling socket load is the load exerted by the trailer/caravan on the coupling ball. It can be varied by changing the weight distribution when loading the trailer/caravan.

The maximum permissible coupling socket load (35 kg) for the towing vehicle is stated on the type plate of the towing equipment and in the vehicle documents. Always aim for this. The coupling load should never be less than 25 kg.

When measuring the coupling socket load, make sure that the drawbar of the loaded trailer/caravan is at the same height as it will be when the trailer/caravan is coupled with the towing vehicle loaded. Particularly important for trailers/caravans with tandem axle.

Rear axle load during towing

When the caravan/trailer is coupled and the towing vehicle fully loaded (including all occupants), the permissible rear axle load (see identification plate, page 144, or vehicle documents) may be exceeded by 15 kg and the permissible gross vehicle weight by 27 kg. If the permissible rear axle load is exceeded, a maximum speed of 50 mph (80 km/h) applies. If national regulations specify a lower maximum speed for vehicles towing a caravan/trailer, this must be observed.



Tyre pressure

Increase the tyre pressure on the towing vehicle to the value specified for a full load – see page 152. Also check the pressure of the spare wheel and caravan/trailer wheels.

Driving characteristics, towing tips

In the case of trailers/caravans with brake, attach break away stopping cable to eye at the side on the coupling ball bar.

Before attaching the trailer/caravan, lubricate the ball of the trailer/caravan towing device. However, do not lubricate the ball if a stabiliser, which acts on the coupling ball, is being used to damp snaking.

Check caravan/trailer lighting before starting to drive. The fog tail lights on the vehicle are deactivated when towing a caravan or trailer.

Trailers with LED turn signals must have a provision enables light monitoring for commercial bulbs.

Turn signal control indicator – see page 19.

Handling is greatly influenced by the loading of the trailer/caravan. Loads should therefore be secured so that they cannot slip and be placed in the centre of the trailer/caravan if possible, i.e. above the axle.

In the case of trailers/caravans with low directional stability, a speed of 50 mph (80 km/h) should not be exceeded; the use of a stabilizer which functions according to the friction principle is strongly recommended.

Do not drive faster than 50 mph (80 km/h) if possible, even in countries where higher speeds are permitted.

Make sure that you have enough room when cornering and avoid sudden manoeuvres.

If the trailer/caravan starts to sway, drive more slowly, do not attempt to correct the steering and brake sharply if necessary.

If it is necessary to apply the brakes fully, depress the brake pedal as hard as possible.

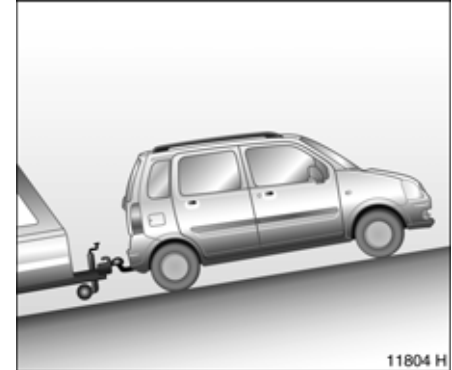
Remember that the braking distance for vehicles towing caravans/trailers with and without brake is always greater than that for vehicles not towing a caravan/trailer.

When driving downhill, towing a caravan/trailer subjects the brakes to a heavier load than normal. For this reason, select the same gear as when driving uphill and drive at a similar speed.

The cooling fan is electrically operated. Its cooling power is therefore independent of the engine speed.

Since a considerable amount of heat is generated at high engine speeds and less at slower speeds, do not shift down when climbing hills whilst the vehicle is still coping with the gradient in the higher gear.

Diesel engine: On gradients of 10 % or more, do not drive faster than 20 mph (30 km/h) in 1st gear or 30 mph (50 km/h) in 2nd gear.



Starting on inclines

The most favourable engine speed when starting off on an incline is between 2500 and 3000 rpm for petrol engines and between 2000 and 2500 rpm for diesel engines. Hold engine rpm constant, ease the clutch out gradually, release brake – and open throttle. If possible, the engine speed should not drop during this procedure.

Before starting off under extreme conditions (high combination weight, mountainous terrain with steep inclines), switch off all unnecessary electrical loads (e.g. heated rear window, air conditioning system 3).

Self-help

Starting the engine with jump leads 3	107
Towing the vehicle.....	108
Towing service	109
Towing another vehicle.....	109
First-aid kit (cushion) + 3 and warning triangle " 3	110
Vehicle tools	111
Spare wheel	111
Jack	113
Changing wheels	114
Electrical system	118
Fuses	118
Bulb replacement	122
Halogen headlight system	122
Tail lights	124
Additional brake light 3	125
Number plate light	126
Courtesy light	126

9 Warning

Disregard of these notes can lead to injuries which may be fatal. Vehicle passengers should be informed accordingly.

Starting

Do not start with quick charger

This prevents damage to electronic components.

Do not start by pushing or towing

Because your vehicle is fitted with a catalytic converter, it must not be started by pushing or towing – see page 88.

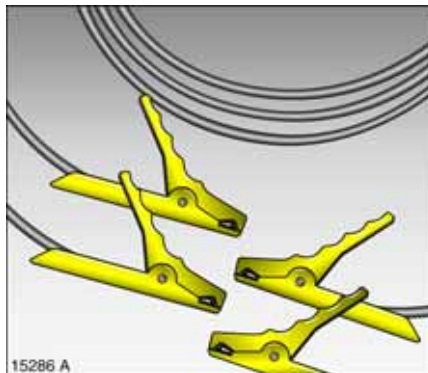
The vehicle can only be started using jump leads – see following page.

Starting the engine with jump leads 3

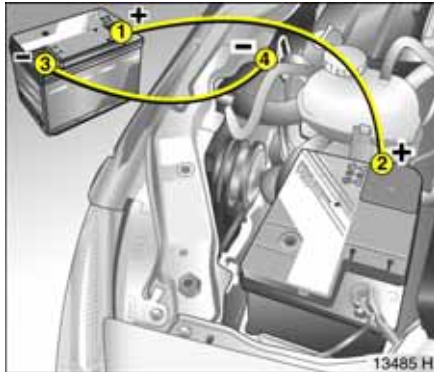
A vehicle with a discharged battery can be started using jump leads and the battery of another vehicle.

9 Warning

This must be done with extreme care. Any deviation from the following instructions could lead to personal injury or damage resulting from battery explosion, as well as to damage to the electrical systems in both vehicles.



- z Never expose the battery to naked flames or sparks.
- z A discharged battery can freeze at temperatures below 0° C or as high as 0° C. Defrost the battery before connecting jump leads.
- z Do not allow battery fluid to come into contact with eyes, skin, fabrics or painted surfaces. The fluid contains sulphuric acid which can cause injuries and damage in the event of direct contact.
- z Wear eye protection and protective clothing when handling a battery.
- z Use auxiliary battery with same voltage (12 volts). Its capacity (Ah) must not be considerably less than that of the discharged battery. Voltage and capacity information can be found on the batteries.
- z Use jump leads with insulated terminals and a cross section of at least 16 mm².
- z Do not disconnect the discharged battery from the vehicle.
- z Switch off all unnecessary electrical consumers.
- z Do not lean over the battery during jump starting.
- z Do not allow the terminals of one lead to touch those of the other lead.
- z Do not touch the vehicles while jump starting.
- z Apply hand brake. Transmission in neutral.



Connect the leads in the order shown in the illustration:

1. Connect one end of the first jump lead to the positive terminal 1 of the battery providing the jump start (identified by "+" sign on battery case or terminal).
2. Connect the other end of this lead to the positive terminal 2 of the discharged battery ("+" sign).
3. Connect the first end of the other jump lead to the negative terminal 3 of the battery providing the start ("- sign).
4. Connect the other end of the second jump lead 4 to ground on the other vehicle, e.g. engine block or screw connection in the engine suspension.

- z Do not connect leads to negative terminal of discharged battery!
- z The connection point should be as far away from the discharged battery as possible.
- z Route the leads so that they cannot catch on rotating parts in the engine compartment.
- z Start the engine of the vehicle providing the jump start.
- z After 5 minutes, start the other engine. Start attempts should be made at intervals of 1 minute and should not last longer than 15 seconds.
- z After starting, allow both engines to idle for approx. 3 minutes with the leads connected.
- z In order to avoid excess voltage in the electrical system, before removing a lead, switch on an electrical consumer (e.g. light, heated rear window) in the vehicle receiving the jump start.
- z Reverse above sequence exactly when removing leads.



Towing the vehicle

The towing eye is located behind a flap. To open, release the flap at the bottom and pull downward. To close, position the flap at the top and engage at the bottom.

Attach a tow rope 3 – or better still a tow rod 3 – to the towing eye.

The towing eye is only to be used for towing, not for recovery.

Switch on ignition to release steering column lock and to permit operation of brake lights, horn and windscreen wipers.

Manual transmission in neutral.

Drive slowly. Do not drive jerkily. Excessive tractive force can damage the vehicle.

9 Warning

Significantly greater force is required for braking: the brake servo unit is only operational when the engine is running.

Considerably greater steering force is necessary since this unit is operative only when the engine is running.

To prevent the entry of exhaust fumes from the towing vehicle, switch on the air recirculation system and close the windows.

Consult a workshop. We recommend your Vauxhall Authorised Repairer, who will serve you best to get your vehicle back on the road.

Towing service

Entrust your vehicle only to the towing service of your choice and obtain an estimate of towing costs before employing any towing service. In this way you avoid unnecessary costs and possible insurance problems during claim processing.



Towing another vehicle

Towing eye at rear in centre, below the bumper.

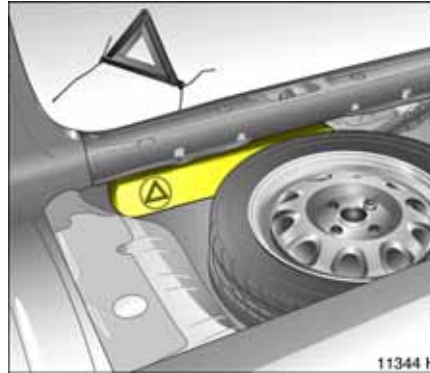
Attach tow rope 3 – or, better still, tow rod 3 – to the towing eye, never to the rear axle.

Drive off slowly and avoid jerky movements. Impermissible tractive forces could damage the vehicles.



**First-aid kit (cushion) + 3
and warning triangle 3**

Stow the first-aid kit (cushion) in the storage net 3 on the right side panel of the luggage compartment.



The warning triangle is stowed in a recess on the rear panel under the luggage compartment floor covering.

To raise the floor covering, first remove the storage box 3 – see page 45. Unclip the floor covering and fold it forwards – see next page.

To close the compartment fold down the floor covering, insert it in the recesses at the rear and clip it into place – see next page. Refit storage box 3.

When loading the vehicle, always make sure the first-aid kit is accessible.

Notes on loading
see page 48.



Vehicle tools

The vehicle tools have been specially developed for your vehicle and should only be used for such.

The vehicle tools are stowed in the luggage compartment under a floor cover. To raise the floor cover, first remove the storage box 3, see page 45. Raise the floor cover.



The vehicle tools are stowed between the jack and the rear panel of the luggage compartment.

To close the compartment fold down the floor covering, insert it in the recesses at the rear and clip it into place. Refit storage box 3.



Spare wheel

The spare wheel is stowed in the luggage compartment under a floor cover and is secured by a wing nut. To open the floor cover, first remove the storage box 3 (see page 45). Raise the floor cover.

Release wing nut and remove.

Change the wheel. Stow the replaced wheel in the vehicle and secure it in place. Fold down the floor cover and insert it in the recesses at the rear. Refit the storage box 3.

General information

On vehicles with alloy wheels the spare wheel may have a steel rim.

If you use winter tyres, the spare wheel may still be fitted with a summer tyre. If you use the spare wheel the vehicle's handling may be altered. Obtain a replacement for the faulty tyre as soon as possible, and have the wheel balanced and fitted to the vehicle.

The spare wheel may have a smaller tyre and a smaller rim than the wheels mounted on the vehicle ¹⁾: Using the spare wheel may alter vehicle handling. Have the defective tyre replaced as soon as possible, balance the wheel and have it mounted on the vehicle.

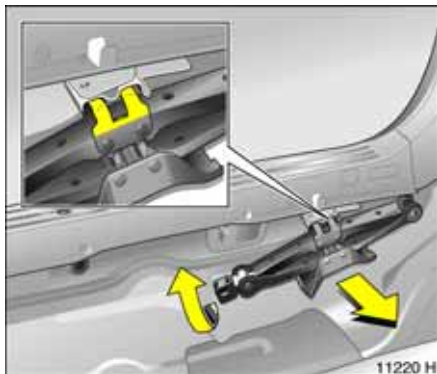
Notes on directional tyres

Directional tyres only provide maximum performance when they are mounted in the correct direction of rotation. If the tyres or spare wheel must be mounted opposing the specified direction of rotation (e.g. after changing a flat tyre), observe the following:

- z Vehicle handling may change. Have the defective tyre replaced as soon as possible, and have the wheel balanced and mounted on the vehicle.
- z Do not drive faster than 50 mph (80 km/h).
- z Be especially careful when driving in rain and snow.

Further information on directional tyres - see page 96.

¹⁾ Country-specific version: The spare wheel is only to be used as a temporary spare wheel.



Jack

The jack has been specially developed for your vehicle and should only be used for such. The jack is only suitable for use when changing wheels.

The jack is stowed in the luggage compartment under a floor cover. To open the floor cover, first remove the storage box 3 (see page 45). Raise the floor cover.

Taking out the spare wheel – see page 111.

The jack is secured by a bracket in front of the rear panel of the luggage compartment. Turn the threaded rod to release the jack and then remove it.

To refit the jack, position it underneath the bracket and secure it by turning the threaded rod.

Replace the spare wheel, fold down the floor cover, insert it in the recesses at the rear, see previous page. Refit storage box 3.

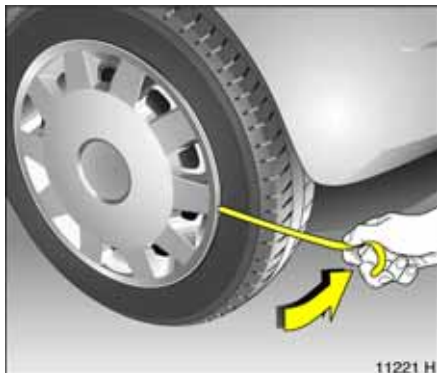
Changing wheels

To ensure your safety, make the following preparations and observe the following information when changing wheels:

- z Park the vehicle on a level, firm and non-skid surface.
- z Switch on the hazard warning lights, apply the hand brake, engage 1st gear or reverse.
- z Correctly set up the warning triangle. Warning triangle – see page 110.
- z Take the spare wheel from the luggage compartment.
- z Before raising the vehicle, set the front wheels to the straight-ahead position.
- z Slacken the wheel bolts one half turn before raising the vehicle, but do not totally unscrew the bolts.
- z Never change more than one wheel at once.

- z Block the wheel diagonally opposite the wheel to be changed by placing wedge blocks or equivalent in front and behind the wheel.
- z Use the jack only to change wheels.
- z If the ground on which the vehicle is standing is soft, a solid board (max. 1 cm thick) should be placed under the jack. Using a thicker board could damage the jack and the vehicle.

- z No people or animals may be in the vehicle when it is jacked up.
- z Never crawl under a jacked-up vehicle.
- z Do not start or run the engine while the vehicle is on the jack.
- z Fully tighten the wheel bolts after lowering the vehicle.



1. Prise off the wheel cover 3 with the flat end of the crank from the vehicle tools.
Vehicle tools – see page 111.



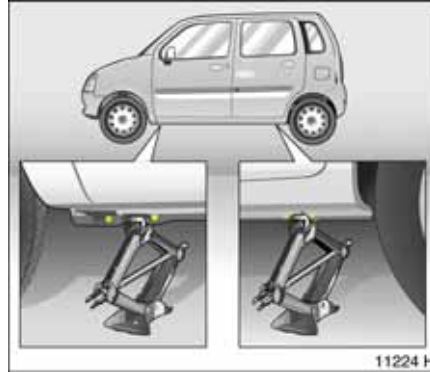
Alloy wheels 3: Disengage the wheel bolt caps with a screw driver and remove from the wheel bolts. Protect the wheel by inserting a soft cloth between the screwdriver and alloy wheel.



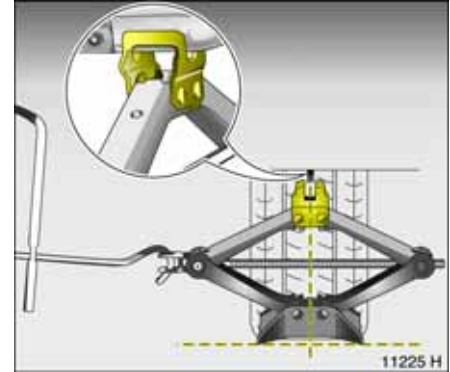
Alloy wheels with anti-theft lock 3: Release the hub cap using the key found in the vehicle tools or in the glove compartment and remove it.



2. Slacken wheel bolts using a wheel bolt socket wrench, putting socket wrench on as far as it will go.

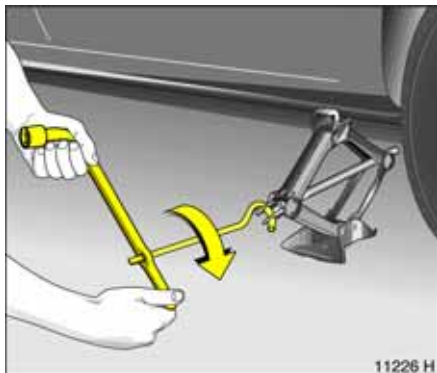


3. Locators at the front and rear on the vehicle underbody – each between two markings – indicate the points where the jack is to be attached.



4. Before positioning the jack, set it to the necessary height by rotating the eye by hand. Position the jack at the front or rear so that the jack claw spans the vertical base between the markings and grips in the recess in the vertical base. Make sure it is properly positioned.

The jack base must be on the ground directly below the jacking point in a manner that prevents it from slipping.



Attach the crank in the hole in the threaded rod and fit the eye of the wheel bolt wrench on the crank.

Raise vehicle by turning crank.

If this is not the case, carefully lower the vehicle immediately and reposition the jack.



5. Unscrew wheel bolts and put somewhere where the threads will not be soiled.

6. Change the wheel. For further information – see pages 96, 111, 114.

7. Screw in wheel bolts and tighten slightly, inserting the wheel bolt wrench as far as the stop.

8. Lower vehicle.

9. Tighten wheel bolts crosswise, putting on wheel bolt wrench as far as possible.

10. Align and refit wheel cover 3.

Before refitting the wheel cover clean the wheel around the retaining clips. Valve symbol 3 on back of wheel cover must point towards valve on wheel.

Alloy wheels 3: Fit the wheel bolt caps 3 onto the wheel bolts.

Alloy wheels with anti-theft lock 3

Insert pin on back of hub cap into corresponding hole in wheel. Insert and tighten anti-theft lock 3.

11. Stow away replaced wheel, tools and warning triangle in the luggage compartment.

12. Check the pressure of the newly mounted tyre. Correct if necessary.

13. Have the tightening torque of the wheel bolts on the new wheel checked on the vehicle using a torque wrench as soon as possible and, if necessary, corrected. Tightening torque – see page 152.

14. Replace the faulty tyre on the wheel that was removed.

Electrical system

9 Warning

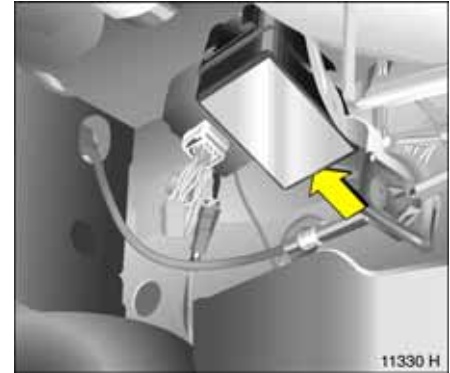
Electronic ignition systems generate very high voltages. Do not touch the ignition system; high voltage can be fatal.



Fuses

Fuse box

Depending on engine variant, the vehicle has three fuse boxes: one in the passenger compartment below the dashboard on the driver's side and two on the left side of the engine compartment.



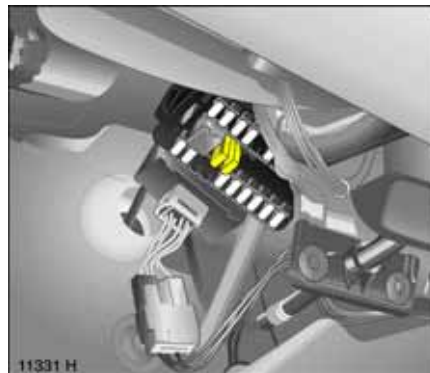
To open the fuse box in the passenger compartment, press the tab on the cover and remove the cover. The assignment numbers of the fuses are shown on the inside of the cover.

Before replacing a fuse, turn off the respective switch and the ignition.

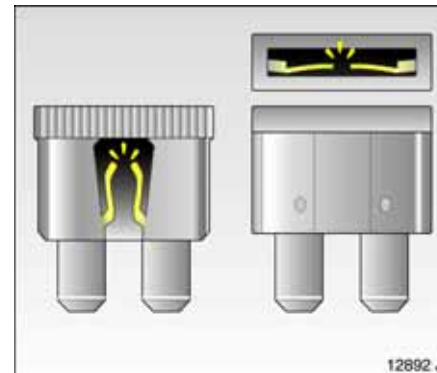
It is a good idea to carry a complete set of fuses, available from any Vauxhall Authorised Repairer.



Store spare fuses 3 in the place provided on the inside of the cover.



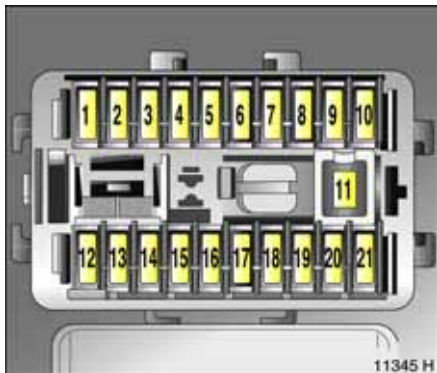
To help in replacing fuses, there is a special fuse-gripping tool in the fuse box (shown in yellow in illustration).



A defective fuse can be recognized by its melted wire. A new fuse should only be installed after the cause of the trouble has been rectified.

Only fuses of the specified rating should be installed. The rating is given on each fuse and can also be identified by the fuse colour.

Fuses colour	Fuses rating
Red	10 A
Blue	15 A
Yellow	20 A
White	25 A
Pink (Maxi-Fuse)	30 A
Yellow (Maxi-Fuse)	60 A
Black (Maxi-Fuse)	80 A

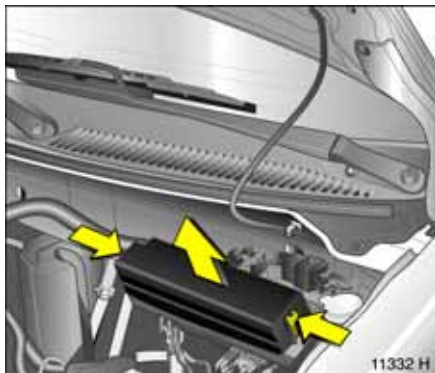


Fuses and the most important circuits they protect

Fuse box in passenger compartment

No.	Circuit	Rating
1	Fog tail lights	10 A
2	Brake light	15 A
3	Electronic immobiliser, infotainment system, courtesy light	15 A

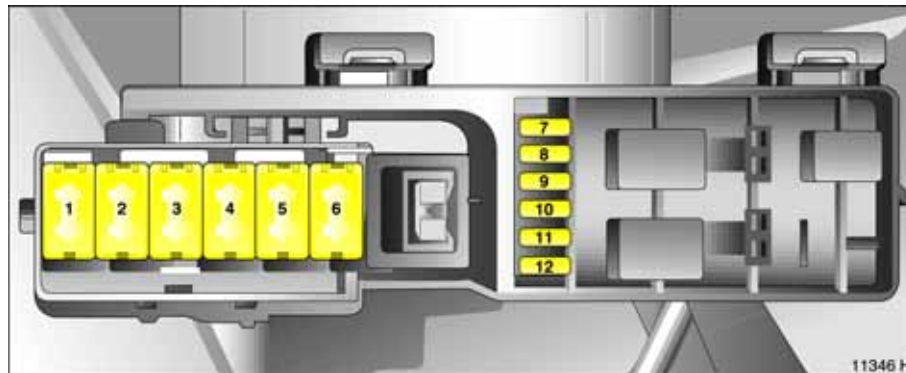
No.	Circuit	Rating	No.	Circuit	Rating
4	Heated rear window	15 A	14	Central locking system, turn signal lights, reverse lights, headlight range adjustment	10 A
5	Central locking system	20 A	15	Instruments	10 A
6	Hazard warning lights	10 A	16	Windscreen wipers, windscreen washer system	15 A
7	Air conditioning system	10 A	17	ABS	10 A
8	Tail light	10 A	18	Engine electronics	15 A
9	Courtesy light,	15 A	19	Cigarette lighter, accessory socket	15 A
10	Central locking system, instruments, exterior mirrors	15 A	20	Central locking system, exterior mirrors, infotainment system, instruments, control indicators, cigarette lighter, accessory socket.	15 A
11	Electric windows	30 A	21	Heater fan, heated rear window, air conditioning system	25 A
12	Airbag system	15 A			
13	Immobilizer, power steering (EPS), instruments, air conditioning system	15 A			



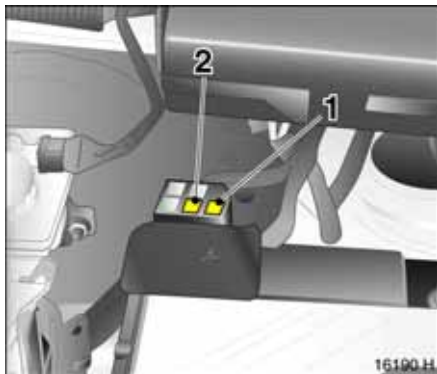
Engine compartment fuse box below windscreen

To open, press lugs at sides and lift cover.

No.	Circuit	Rating
1	ABS	60 A
2	Cooling fan	30 A
3	Power steering (EPS)	30 A
4	Starter	60 A
5	Lighting, engine, infotainment system	60 A



No.	Circuit	Rating	No.	Circuit	Rating
6	Alternator: petrol engine	80 A	9	Radiator fan, fuel injection system: petrol engine	20 A 30 A
7	Dipped beam (right), main beam (right)	15 A	10	Fog lights	15 A
8	Instruments, control indicators, dipped beam (left), main beam (left)	15 A	11	Horn	15 A
			12	-	-



Engine compartment fuse box above battery

To open, pull off the cover upwards.

No.	Circuit	Rating
1	-	-
2	-	-
3	Preheating system (1)	80 A
4	-	-
5	-	-

Bulb replacement

Before replacing a bulb, switch ignition off and switch relevant switch off.

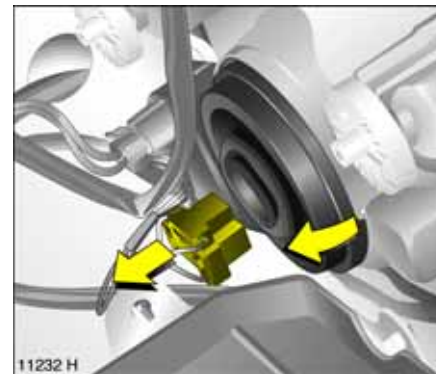
Only hold new bulb at base! Do not touch the bulb glass with bare hands, otherwise fingerprints on the glass evaporate. Residue builds up on the reflector eventually resulting in a dull reflector. Inadvertently stained bulbs may be cleaned with a clean non-fluffy cloth, using alcohol or white spirits.

The replacement bulb must be in accordance with the data on the base of the defective bulb. Do not exceed wattage given on bulb base.

Headlight aiming

We recommend that headlight aiming be carried out by your Vauxhall Authorised Repairer, who will have special equipment.

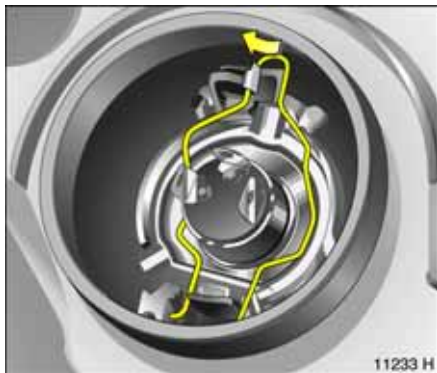
When adjusting headlights, headlight range adjustment must be set to 0.



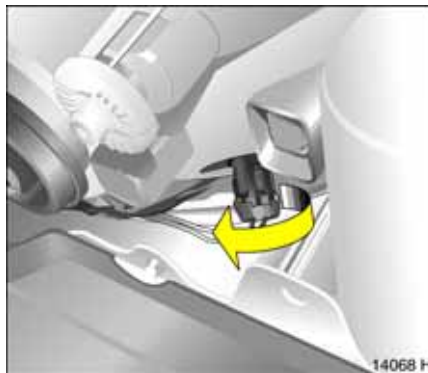
Halogen headlight system

Dipped and main beam

1. Open bonnet and engage support.
2. Detach plug connector from bulb base.
3. Remove headlight protective cover.

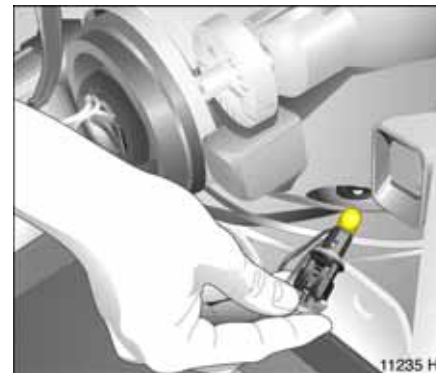


4. Disengage spring wire clip from retaining lugs by moving it sideways and swivel it downwards.
5. Remove bulb from reflector housing.
6. When fitting a new bulb, engage the lugs in the recesses on the reflector without touching the glass.
7. Engage spring wire clip. Place headlight protective cover in position and close cover. Plug connector onto bulb base.

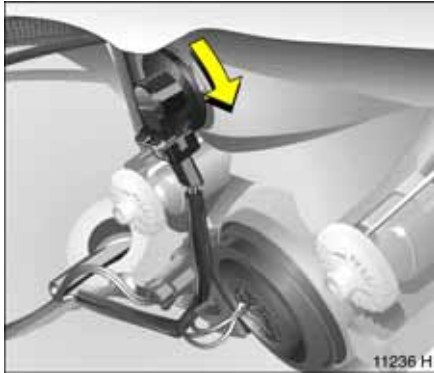


Parking lights

1. Open bonnet and engage support.
2. Rotate bulb holder to left and disengage.

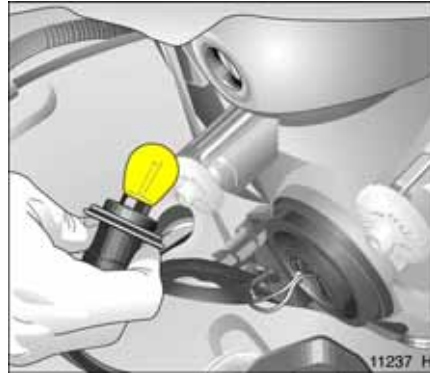


3. Disengage bulb holder from reflector housing.
4. Remove bulb from holder.
5. Insert new bulb, without touching the glass.
6. Insert bulb holder in reflector housing and engage by turning clockwise.

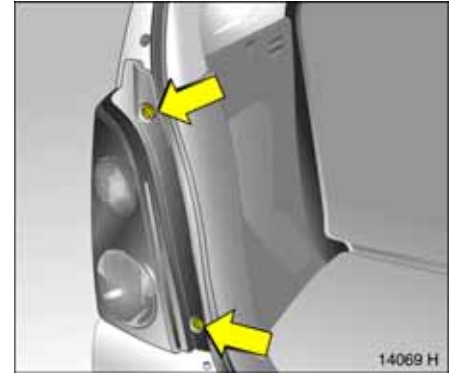


Front indicator lights

1. Open bonnet and engage support.
2. Rotate bulb holder to right and disengage.

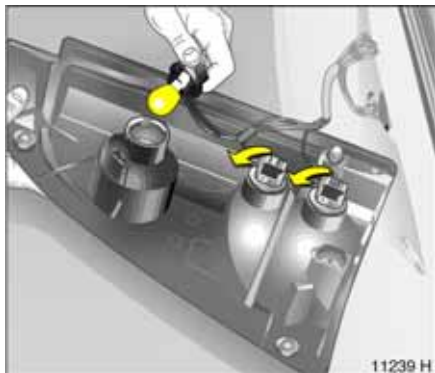


3. Disengage bulb holder from reflector housing.
4. Push bulb into holder a little, rotate left and remove.
5. Insert new bulb, without touching the glass.
6. Insert bulb holder in reflector housing and engage by turning anti-clockwise.



Tail lights

1. Remove both screws between bulb housing and tailgate seal using screwdriver from vehicle tool kit.
2. Pull bulb housing to rear so that it disengages from the locking elements.



3. Rotate the bulb holder anti-clockwise and pull out of the bulb housing.

Bulb sequence from top to bottom:

Tail light/brake light

Turn signal light

Fog tail light (right-hand side)

Reverse light (left-hand side).

4. Push bulb into bulb holder a little, rotate left and remove.
5. Push new bulb into bulb holder a little, rotate right and engage. Do not touch the bulb glass.
6. Insert bulb holder in reflector housing and engage by turning clockwise.



7. Insert bulb housing into mount with fixing pin and secure with screws.

Additional brake light 3

We recommend that you have bulbs changed by a Vauxhall Authorised Repairer.

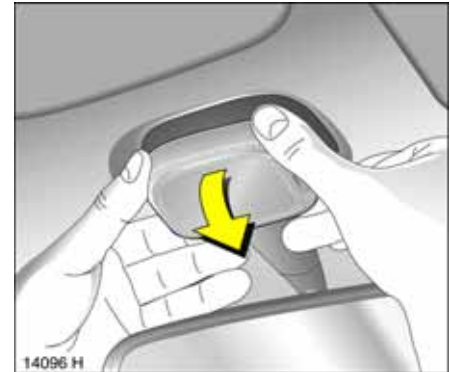


Number plate light

1. Insert screwdriver vertically into number plate light at right, rotate clockwise and remove spring. Raise light insert on right and lift out.



2. Depress protruding tongue and open light housing.
3. Push bulb into bulb housing a little, rotate left and remove.
4. Push new bulb into bulb housing a little, rotate right and engage. Do not touch the bulb glass.
5. Close number plate light, insert and engage in position.



Courtesy light

Close doors or hold down contact switch before removing lights so that they are not live.

1. Push lens to rear and pull down to remove, as shown in the illustration.



2. Press bulb slightly towards spring clip and remove.
3. Insert new bulb, without touching the glass.
4. Mount lens and engage in position.

**Instrument illumination,
Information display illumination 3**
We recommend that you have bulbs
changed by a Vauxhall Authorised
Repairer.

If you have a problem

In our experience the most common cause of all complaints is the result of misunderstanding or lack of communication between the customer and the Vauxhall Authorised Repairer.

We sincerely hope you will never have cause to complain about your vehicle. However, if things do go wrong, the best course of action for you to take is to contact your Vauxhall Authorised Repairer's Service Reception Staff and explain the difficulty you are having. We are confident they will do their utmost to resolve the problem to your complete satisfaction.

Sometimes, however, despite the best of intentions of all concerned, misunderstandings can occur. If your problem has not been resolved to your satisfaction, please make an appointment to discuss the matter with the Manager of the department concerned.

The majority of areas of concern can be quickly resolved in this way.

Should you wish to pursue the matter further, the Principal of the Vauxhall Authorised Repairer should be made aware of your concern. It is advisable in cases such as this to write to him to confirm your problem and the solutions that have been offered.

You can be assured the Authorised Repairer's Principal will only be too anxious to fully investigate your problems and correct any errors made. After all, they have a large investment in their business and are proud of their reputation and professionalism and fully realises that satisfied customers are their key to success.

In the unlikely event that you are still not happy with the answer your Vauxhall Authorised Repairer has given, or the action proposed to correct the problem, you may contact the Customer Care Department¹⁾ where a team of Customer Care Consultants will spare no effort to ensure your complete satisfaction.

Vauxhall Motors Ltd.

Customer Care,
Griffin House,
Osborne Road,
LUTON,
Beds., LU1 3YT
Telephone: 01582 427200

They will review all the facts involved. Then if it is felt some further action can be taken,

¹⁾ Calls may be monitored and recorded for training purposes.

the Vauxhall Authorised Repairer will be advised accordingly. In any case, your contact will be acknowledged confirming Vauxhall Motors' position in the matter.

If you are not satisfied with the outcome, you can if you wish, seek advice from an independent third party such as:

Automobile Association (A.A.)

Fanum House,
BASINGSTOKE,
Hants., RG21 2EA

Royal Automobile Club (R.A.C.),

R.A.C. Motoring Services Ltd.,
89-91 Pall Mall,
LONDON, SW1Y 5AS

The Customer Relations Department,
Society of Motor Manufacturers and Traders Ltd. (S.M.M.T.),
Forbes House, Halkin Street,
LONDON, SW1X 7DS

Customer Complaints Service,
Scottish Motor Trade Association,
(S.M.T.A.),
3 Palmerston Place,
EDINBURGH, EH12 5AQ

The National Conciliation Service,
Retail Motor Industry Federation,
9 North Street,
RUGBY, CV21 2AB

If you have a problem whilst abroad: The Service Departments of Adam Opel AG and General Motors branches everywhere will provide information and assistance:

Opel Austria Vertriebs GmbH
Groß-Enzersdorfer Str. 59
1220 Vienna – Austria
Tel. 00 43 1-288 77 444 or
00 43-1-2 88 770

Opel Belgium N.V.
Prins Boudewijnlaan 30
2550 Kontich – Belgium
Tel. 00 32-34 50 63 11

Opel C & S spol. s.r.o.
Na Pankráci 26
140 00 Prague 4 – Czech Republic
Tel. 00 420-2-61 21-88 21

General Motors Denmark
Jaegersborg Alle 4
2920 Charlottelund – Denmark
Tel. 00 45-39 97 85 00

Vauxhall Motors Ltd.
Customer Care
Griffin House, Osborne Road
Luton, Bedfordshire, LU1 3YT – England
Tel. 00 44-15 82-42 72 00

General Motors Finland Oy
Pajuniityntie 5
00320 Helsinki – Finland
Tel. Helsinki 00 358-61 58 81

General Motors France
1 – 9, avenue du Marais
Angle Quai de Bezons
95101 Argenteuil Cedex – France
Tel. 00 33-1-34 26 30 00

ADAM OPEL AG
Bahnhofplatz 1
65423 Rüsselsheim – Germany
Tel. 00 49-61 42-77 50 00 or
00 49-61 42-7 70

General Motors Hellas S.A.
56 Kifisias Avenue & Delfon str.
Amarousion
151 25 Athens – Greece
Tel. 00 30-1-6 80 65 01

Opel Southeast Europe Ltd.
Szabadsag utca 117
2040 Budaörs – Hungary
Tel. 00 36-23 446 100

General Motors India
Sixth Floor, Tower A
Global Business Park
Mehrauli – Gurgaon Road
Gurgaon 122 022, Haryana – India
Tel. 00 91-124 280 3333

Opel Ireland Ltd.
Opel House, Unit 60, Heather Road
Sandyford, Dublin 18 – Ireland
Tel. 00 353-1-216 10 00

General Motors Italia Srl
Piazzale dell'Industria 40
00144 Rome – Italy
Tel. 00 39-6-5 46 51

Opel Nederland B.V.
Lage Mosten 49 – 63
4822 NK Breda – Netherlands
Tel. 00 31-76-5 44 88 00

General Motors Norge AS
Kjeller-Vest 6
2027 Kjeller – Norway
Tel. 00 47-23 50 01 04

General Motors Poland Sp. z o.o.
Domaniewska 41
06-672 Warsaw – Poland
Tel. 00 48-22-606 17 00

General Motors Portugal
Quinta da Fonte
Edificio Fernão Magalhães, Piso 2
2780-190 Paço d'Arcos – Portugal
Tel. 00 351-21 440 75 00

General Motors España S.L.
Paseo de la Castellana, 91
28046 Madrid – Spain
Tel. 00 34-902 25 00 25

Saab Opel Sverige AB
Esbogatan 8
164 74 Kista – Sweden
Tel. 00 46-8-632 85 00

General Motors Suisse S.A.
Stelzenstraße 4
8152 Glattbrugg – Switzerland
Tel. 00 41-44 828 28 80

Opel Türkiye Ltd. Sti.
Kemalpaşa yolu üzeri
35861 Torbalı/Izmir – Turkey
Tel. 00 90-2 32-8 53-14 53

In **Albania, Bosnia-Herzegovina, Bulgaria, Croatia, Macedonia, Romania, Slovenia and Yugoslavia** please contact the Opel Service Department in Budaörs – Hungary
Tel. 00 36-23 446 100

Maintenance, Inspection System

A note on safety	131
Checking and topping up engine oil ..	131
Engine oil	132
Coolant	134
Coolant	134
Brake fluid	136
Windscreen wiper	137
Windscreen wash system	137
Battery	138
Protecting electronic components	139
Vehicle decommissioning	139
Vehicle recommissioning	139

In order to guarantee economical and safe vehicle operation and to maintain the value of your vehicle, it is of vital importance that all maintenance work is carried out at the proper intervals as specified by Vauxhall.

The date for the next service is determined by time or kilometre/mileage intervals – whichever is reached first.

InSP appears in the trip odometer display after the ignition is switched on when it is time for servicing: Have service work carried out within one week or 300 miles (500 km). We recommend that you consult your Vauxhall Authorised Repairer.

The service interval display takes account of off-the-road periods during which the battery is disconnected.

Further information on maintenance and the inspection system can be found in the service booklet, which is in the glove compartment.



Have maintenance work – as well as repairs to the bodywork and power units – carried out by a professional. We recommend your Vauxhall Authorised Repairer, who is well acquainted with Vauxhall vehicles and in possession of the special tools required and the respective latest service instructions from Vauxhall. In order to avoid invalidation of any warranty claim, it is especially important to entrust work to a Vauxhall Authorised Repairer during the warranty period. For further information, see the Service Booklet.

Separate anti-corrosion service

Follow the intervals specified in the Service Booklet. We recommend that you entrust this work to your Vauxhall Authorised Repairer.

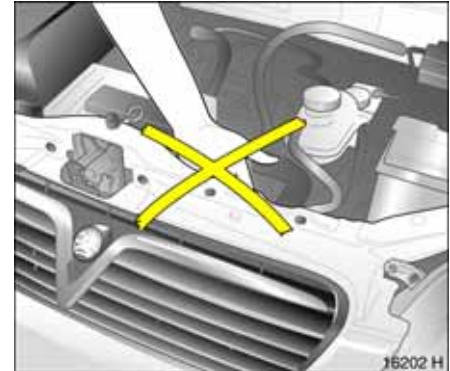
**A note on safety**

Always switch ignition off when performing checks in the engine compartment (e.g. checking the brake fluid level or the engine oil level) due to risk of injury from live cables and rotating parts.

⚠ Warning

The cooling fan is controlled by a thermostich and can therefore start unexpectedly even if the ignition is switched off. Risk of injury.

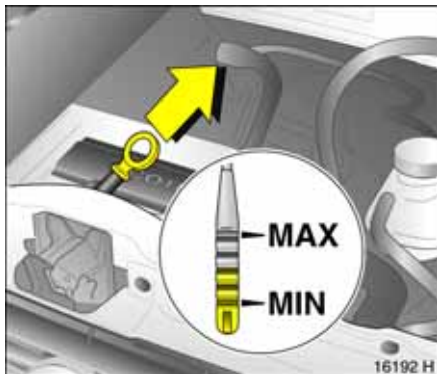
Electronic ignition systems generate very high voltages. Do not touch the ignition system; high voltage can be fatal.



Never carry out any repairs or adjustment and maintenance work on the vehicle yourself. This especially applies to the engine, chassis and safety parts. You may unwittingly infringe the provisions of the law and, by not performing the work properly, endanger yourself and other road users.

Checking and topping up engine oil

To aid identification, the engine oil filler cap and the handle of the oil dipstick are coloured yellow.



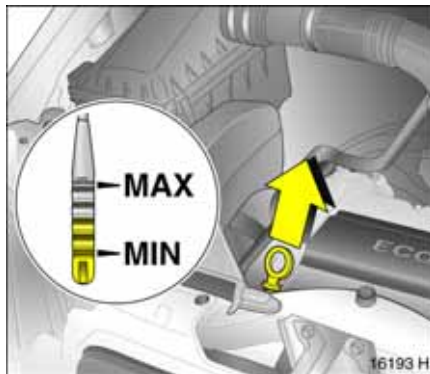
Engine oil

Information on engine oils is available in the Service Booklet.

Engine oil level, engine oil consumption

Every engine consumes engine oil for technical reasons. The engine oil consumption cannot be assessed until a fairly long distance has been driven, and may be above the specified value when the vehicle is first being driven (run-in period). Frequent driving at high revs increases engine oil consumption.

In vehicles with engine oil level check 3, the engine oil level is checked automatically. It is particularly advisable to check the engine oil level before embarking on a long journey.



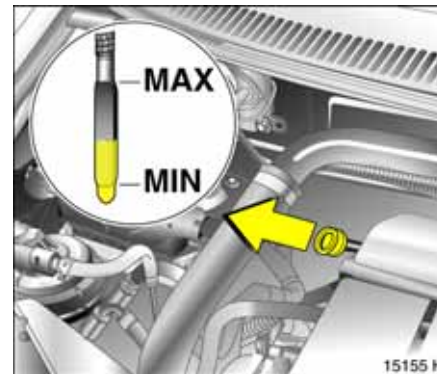
Engine oil level check, topping up engine oil

The illustrations show checking and topping up of various petrol and diesel engines.

The oil level must be checked with the vehicle on a level surface and with the engine (which must be at operating temperature) switched off. Wait at least 5 minutes before checking the level to allow the normal engine oil accumulation in the engine to drain into the oil pan.

9 Warning

Do not allow the engine oil level to drop below the minimum level!



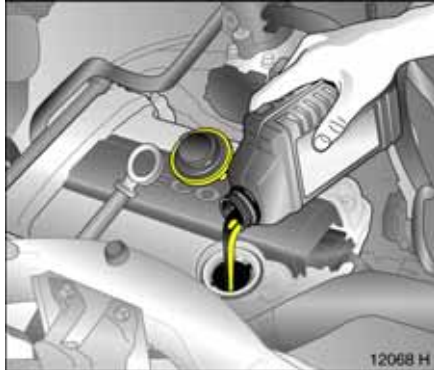
To check the engine oil level, insert wiped oil dipstick into handle as far as it will go. Top engine oil up if the level has dropped into the range of the top-up mark **MIN**.

The engine oil level must not exceed the upper mark **MAX** on the dipstick. Excess engine oil must be drained off or extracted. If the engine oil level is above the **MAX** mark there is a risk of damage to the engine or the catalytic converter.

The amount filled must be between the **MIN** and **MAX** marks – see page 155.

9 Warning

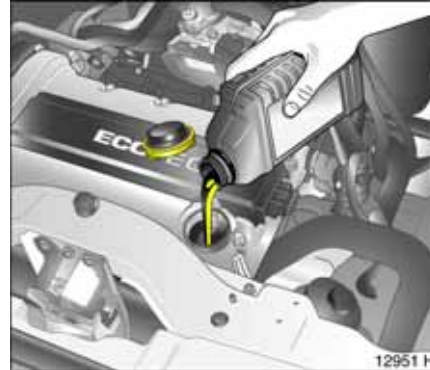
It is the owner's responsibility to maintain the correct level of an appropriate quality oil in the engine.



Top up with the same brand of engine oil that was used during the previous oil change, following the instructions in the Service Booklet.

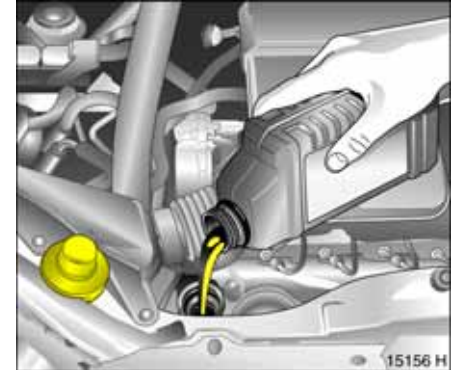
To close, position the cap and screw it into place.

Capacities – see page 155.



Engine oil change, engine oil filter change
Change the oil at the displayed service intervals.

We recommend that you use genuine Vauxhall engine oil filters.



9 Warning

We recommend that you entrust engine oil and filter changes to a Vauxhall Authorised Repairer, who will be familiar with the requirements of the law as regards disposal of used oil and can thus help to protect the environment and your health.

Coolant

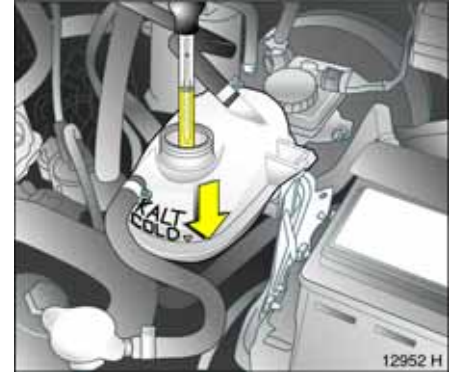
During operation the system is pressurized. The temperature may therefore rise briefly to over 100 °C.

The glycol-based coolant provides excellent corrosion protection for the heating and cooling systems as well as anti-freeze protection down to -28 °C. It remains in the cooling system throughout the year and need not be changed.

Certain anti-freezes can lead to engine damage. We therefore recommend the use of anti-freezes that have been approved by Vauxhall.

9 Warning

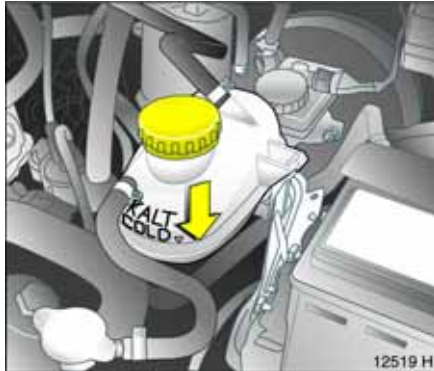
Antifreeze is a danger to health; it must therefore be kept in the original container and out of the reach of children.



Frost and corrosion protection

Before the start of the cold weather season, have the coolant checked for correct concentration using a calibrated hydrometer. We recommend that you consult your Vauxhall Authorised Repairer. The anti-freeze content must guarantee frost protection down to approx. -28 °C. An insufficient concentration will reduce frost and corrosion protection. Add anti-freeze if necessary.

If coolant loss is topped up with water, have anti-freeze concentration checked and add anti-freeze if necessary.



Coolant level

Hardly any losses occur since the cooling system is sealed and it is thus rarely necessary to top up the coolant.

The coolant in the expansion tank should be just above the marking **KALT/COLD** or between **LOW** and **FULL** in diesel engines with the cooling system cold. It rises when the engine has warmed up and drops again as the engine cools. If it falls below the marking **KALT/COLD** or below **LOW** during this, top up to just above the marking **KALT/COLD** or between **LOW** and **FULL**.



9 Warning

Allow engine to cool down before removing coolant filler cap. Remove filler cap carefully so that pressure can escape slowly, otherwise there is a risk of scalding.

Top up anti-freeze. If no anti-freeze is available, top up with clean tap water. If tap water is unavailable, distilled water can be used.

After topping up with tap or distilled water, have the anti-freeze concentration checked, and anti-freeze added if necessary. Have the cause of the coolant loss remedied. We recommend that you consult your Vauxhall Authorised Repairer.

To close, position the cap and screw it into place.

Coolant temperature

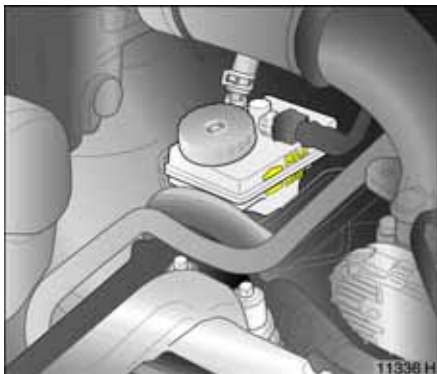
If the temperature gauge is in the upper warning zone, coolant temperature is too high. Check the coolant level immediately.

z Coolant level too low:

Top up coolant. Pay attention to the instructions given under "Anti-freeze and corrosion protection" and "Coolant level". Have the cause of coolant loss remedied. We recommend that you consult your Vauxhall Authorised Repairer.

z Coolant level OK:

Have the cause of increased coolant temperature remedied. Contact a workshop. We recommend that you consult your Vauxhall Authorised Repairer.



Brake fluid

Brake fluid level

⚠ Warning

Brake fluid is poisonous and corrosive. Do not allow it to contact eyes, skin, fabrics or painted surfaces. Direct contact may cause injuries and damage.

The fluid level in the reservoir must be neither higher than the **MAX** mark nor lower than the **MIN** mark.

Use of certain brake fluids could lead to damage or reduced braking effect. Stay well informed! We recommend the use of Vauxhall-approved high performance brake fluid when necessary.

Extreme cleanliness is important as brake fluid contamination could cause brake system malfunction.

After correcting the brake fluid level, have the cause of brake fluid loss remedied. We recommend that you consult your Vauxhall Authorised Repairer.

Brake fluid change

Brake fluid is hygroscopic, i. e. it absorbs water. If the brakes become hot, such as when driving on long downhill stretches, vapour bubbles can form in the water, which can have an adverse effect on braking power (depending on the proportion of water).

The fluid change intervals specified in the Service Booklet must therefore be observed.

⚠ Warning

We recommend that you have brake fluid changed by a Vauxhall Authorised Repairer, who will be familiar with the requirements of the law as regards disposal of brake fluid and can thus help to protect the environment and your health.

Windscreen wiper

Clear vision is essential for safe driving.

The cleaning effect of the windscreen wiper should therefore be checked at regular intervals. We recommend replacing the wiper blades at least once a year.

If the windows are dirty, operate the windscreen wash before switching the wiper on in order to prevent wiper blade wear.

Do not switch windscreen wiper on if windows are icy, since this may damage the wiper edges or the wiper system.

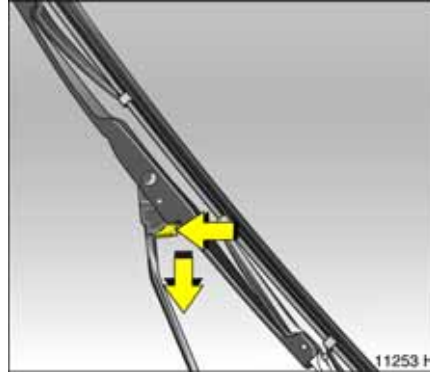
If the wiper becomes frozen onto the glass, we recommend that it be released with the aid of Vauxhall De-icer Spray.

Smearing wiper blades can be cleaned with a soft cloth and Vauxhall Windscreen Wash Solvent.

Wiper blades whose lips have become hardened, cracked or covered with silicone must be replaced. This may be necessary as a result of the effects of ice, thawing salt or heat, or the incorrect use of cleaning agents.

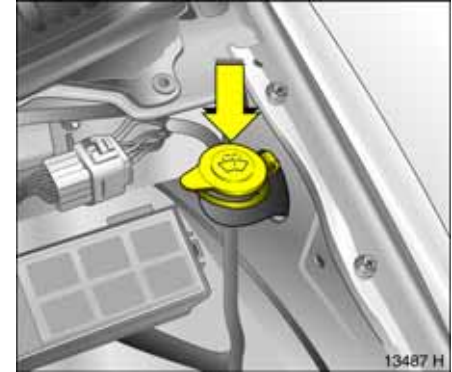
Switch off windscreen wiper in the car wash, see pages 9, 141.

Windscreen wiper blade maintenance - see page 142.



Wiper blade replacement

Lift wiper arm. Move release lever and detach wiper blade.



Windscreen wash system

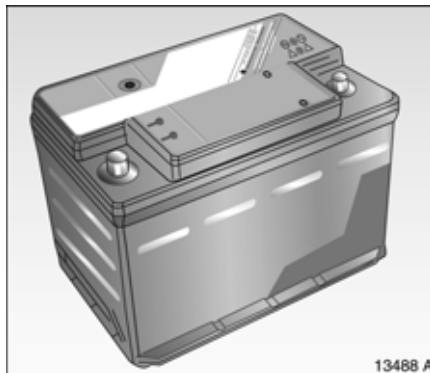
The fluid container for the windscreen washer system and the rear window washer system is located on the right-hand side of the engine compartment (viewed from the front of the vehicle).

Fill only with clean water to prevent the nozzles from clogging. To improve cleaning efficiency, we recommend that you add a little Vauxhall Windscreen Wash Solvent.

The windscreen washer system will not freeze in winter:

Freeze protection down to	Mixture strength – Vauxhall Windscreen Wash Solvent: Water
– 5 °C	1 : 3
– 10 °C	1 : 2
– 20 °C	1 : 1
– 30 °C	2 : 1

When closing the container, press the lid firmly over the beaded edge all the way round.



Battery

The battery is maintenance-free.

9 Warning

We recommend that you have battery changes carried out by a Vauxhall Authorised Repairer. The Vauxhall Authorised Repairer knows the laws concerning the disposal of used batteries and therefore protects the environment and your health.

Retrofitted electrical or electronic accessories can place an additional load on the battery or even discharge the battery. We recommend that you consult a Vauxhall Authorised Repairer regarding technical possibilities, such as fitting a more powerful battery.

Parking the vehicle for more than 4 weeks can discharge the battery. This can shorten the life of the battery. Therefore disconnect the battery by disconnecting the negative terminal from the on-board power supply.

Ensure that ignition is switched off before connecting battery. Failure to do so could result in the engine not being able to start or engine operating problems. Time and date must be set in the information display after the battery is reconnected.

Protecting electronic components

In order to prevent faults in electronic components in the electrical system, never connect or disconnect battery with engine running or ignition switched on. Never start engine with battery disconnected, e.g. when starting using jump leads.

To avoid damaging the vehicle, do not make any modifications to the electrical system, e. g. connecting additional consumers or tampering with electronic control units (chip tuning).

⚠ Warning

Electronic ignition systems generate very high voltages. Do not touch the ignition system; high voltage can be fatal.

Disconnect/connect vehicle battery from/ to electrical system.

Disconnect the battery from the vehicle electrical system before charging: First detach the negative and then the positive lead. Do not reverse the polarity of the battery, i.e. do not confuse the terminals for the positive and negative leads. When connecting, start with the positive lead and then connect the negative lead.

Vehicle decommissioning

Observe national regulations.

If the vehicle is decommissioned for several months, the following work must be carried out in order to prevent damage. We recommend that you consult your Vauxhall Authorised Repairer.

- z Wash and preserve the vehicle – see page 141.
- z Check protective coating in engine compartment and on underbody and rectify where necessary.
- z Clean and preserve rubber seals on bonnet and doors.
- z Change engine oil – see page 133.
- z Check anti-freeze and corrosion protection – see page 134.
- z Check the coolant level, top up with anti-freeze if necessary – see page 135.
- z Drain the windscreen washer system.
- z Increase tyre pressure to value specified for full load – see page 152.

Vehicle storage

- z Park vehicle in dry and well-ventilated premises. Engage first gear or reverse. Place wheel chocks or suchlike under wheels to prevent vehicle from rolling away.
- z Do not apply hand brake.
- z Disconnect battery by disengaging negative terminal from vehicle electrical system – see page 138.

Vehicle recommissioning

Observe national regulations.

Carry out the following work before putting a vehicle back on the road.

- z Connect battery – see page 138.
- z Check tyre pressure and correct if necessary – see page 152.
- z Fill up windscreen washer system – see page 137.
- z Check engine oil level – see page 132.
- z Check the coolant level; top up with anti-freeze if necessary, see page 135.
- z Fit the number plate if necessary.

Vehicle care

Washing	141
Waxing	141
Polishing	141
Wheels	141
Paintwork damage.....	141
Exterior lights	142
Plastic and rubber parts	142
Wheels and tyres	142
Interior and upholstery	142
Seat belts.....	142
Windows.....	142
Windscreen wiper blades.....	142
Locks.....	143
Engine compartment.....	143
Underbody.....	143

Obtain advice from a Vauxhall Authorised Repairer regarding cleaning materials that have been tested and recommended by Vauxhall.

When caring for your vehicle, observe all national environmental regulations, particularly when washing it.

Regular, thorough care helps to improve the appearance of your vehicle and maintain its value over the years. It is also a prerequisite for warranty claims for any paint or corrosion damage. The following pages contain tips for vehicle care which, if used properly, will help combat the unavoidable damaging effects of the environment.

Vehicle care aids 3

Vehicle wash:

- z Wash brush,
- z Shampoo,
- z Sponge,
- z Insect Removal Sponge,
- z Chamois.

Vehicle care:

- z Paintwork Cleaner,
- z Paintwork Polish,
- z Metallic Paintwork Wax,
- z Hard wax,
- z Vauxhall Touch-Up Paint,
- z Vauxhall Touch-Up/Aerosol Paint,
- z Wheel Preserver,
- z Insect Remover,
- z Window Cleaner,
- z Vauxhall Cleaning Solvent and Anti-Freeze,
- z Silicone Oil for Rubber Seals,
- z Cleaner.

Washing

The paintwork of your vehicle is exposed to environmental influences, e.g. continuous changes in weather conditions, industrial waste gases and dust or thawing salts, so wash and wax your vehicle regularly. When using automatic car washes, select a programme which includes waxing.

Bird droppings, dead insects, resin, pollen and the like should be cleaned off immediately, as they contain aggressive constituents which can cause paint damage.

If using a car wash, comply with the pertinent instructions of the car wash manufacturer. The windscreen wipers and rear window wiper must be in their park position – see page 12. Remove antenna 3 and roof rack 3. Stand on the door sill to reach them more easily.

If you wash your vehicle by hand, make sure that the insides of the wings are also thoroughly rinsed out.

Clean edges and folds on opened doors and flaps as well as the areas they cover.

Thoroughly rinse off and leather-off the vehicle. Rinse leather frequently. Use separate leathers for paint and window surfaces: remnants of wax on the windows will impair vision.

Observe national regulations.

Waxing

Wax your vehicle regularly, in particular after it has been washed using shampoo and at the latest when water no longer forms beads on the paintwork, otherwise the paintwork will dry out.

Also wax edges and folds on opened doors and flaps as well as the areas they cover.

Polishing

Polishing is necessary only if the paint has become dull or if solid deposits have become attached to it.

Paintwork polish with silicone forms a protective film, making waxing unnecessary.

Plastic body parts should not be treated with wax and polish.

Use Metallic Paintwork Wax on vehicles with a metallic-effect paint finish.

Wheels

Use a pH-neutral wheel cleaning agent to clean the wheels.

Wheels are painted and can be treated with the same agents as the body. For alloy wheels we recommend use of Alloy Wheel Preserver.

Paintwork damage

Repair small areas of paint damage such as stone impacts, scratches etc. immediately using an Vauxhall touch-up applicator or Vauxhall spray and touch-up paint before rust can form. If rust has already formed, have the cause remedied. We recommend that you consult your Vauxhall Authorised Repairer. Please also pay attention to surfaces and edges beneath the vehicle where which rust may have formed unnoticed for some time.

Exterior lights

Headlight and other protective light bezels are made of plastic. If they require additional cleaning after the vehicle has been washed, clean them with Car Shampoo. Do not use any abrasive or caustic agents, do not use an ice scraper, and do not clean them dry.

Plastic and rubber parts

For additional cleaning of plastic and rubber parts use Interior Cleaner. Do not use any other agent, and in particular do not use solvents or petrol.

Do not use high-pressure jet cleaners.

Wheels and tyres

Do not use high-pressure jet cleaners.

Interior and upholstery

Clean the vehicle interior, including the instrument panel fascia, using interior cleaner.

The instrument panel should only be cleaned using a soft damp cloth.

Clean fabric upholstery with a vacuum cleaner and brush. To remove stains, use cleaner that is suitable for both fabrics and vinyl.

Do not use cleaners such as acetone, carbon tetrachloride, paint thinner, paint remover, nail varnish remover, washing powder or bleach. Petrol is also unsuitable. Open velcro fastenings in your clothing could damage the seat cushions. Close velcro fastenings.

Seat belts

Always keep seat belts clean and dry.

Clean only with lukewarm water or Cleaner.

Windows

When cleaning the heated rear window, make sure that the heating element on the inside of the window is not damaged.

Use a soft lint-free cloth or chamois leather in conjunction with Window Cleaner and Insect Remover.

Vauxhall Cleaning Solvent and Antifreeze is suitable for de-icing windows.

For mechanical removal of ice, use a commercially available sharp-edged ice scraper. Press the scraper firmly against the glass so that no dirt can get under it and scratch the glass.

Windscreen wiper blades

Wax such as the wax used in car washes can cause smearing on the windscreen when the windscreen wipers are switched on.

Smearing wiper blades can be cleaned with a soft cloth and Vauxhall Cleaning Solvent and Antifreeze. Replace them if necessary – see page 137.

Locks

The locks are lubricated with a high-grade lock cylinder grease at the factory.

Vauxhall lock cylinder grease prevents the locks from freezing up. Only use de-icing agent in emergencies, as they have a degreasing effect and will impair the function of the locks. After using a de-icing agent, have the locks re-greased. We recommend that you entrust this to your Vauxhall Authorised Repairer.

Engine compartment

Areas of the engine compartment that are painted in the same colour as the vehicle must be looked after like any other painted surface.

It is advisable to wash the engine compartment before and after winter and preserve it with wax. Cover alternator and brake fluid reservoir with plastic sheets before washing the engine.

When washing the engine with a steam-jet cleaner, do not direct the steam jet at components of the Anti-lock Brake System 3, the automatic air conditioning system 3 or the belt drive and its components.

Protective wax that has been applied is also removed during the engine wash. For this reason, have the engine, brake system components in the engine compartment, axle components with steering, body parts and cavities thoroughly preserved with protective wax after the wash. We recommend that you consult your Vauxhall Authorised Repairer.

An engine wash can be performed in the spring in order to remove dirt that has adhered to the engine compartment, which may also have a high salt content. Check protective wax layer and make good if necessary.

Do not use high-pressure jet cleaners.

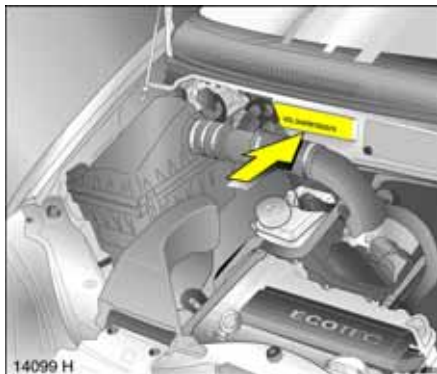
Underbody

Your vehicle has a factory-applied PVC undercoating in the wheel arches (including the longitudinal members) which provides permanent protection and needs no special maintenance. The surfaces of the vehicle underbody not covered by PVC are provided with a durable protective wax coating in critical areas.

On vehicles which are washed frequently in automatic car washes with underbody washing facility, the protective wax coating may be impaired by dirt-dissolving additives, so check the underbody after washing and have it waxed if necessary. Before the start of the cold weather season, check the PVC coating and protective wax coating and, if necessary, have them restored to perfect condition.

Caution - commercially available bitumen/rubber materials can damage the PVC coating. We recommend that you have underbody work carried out by an Vauxhall Authorised Repairer, who knows the prescribed materials and has experience in the use thereof.

The underbody should be washed following the end of the cold weather season to remove any dirt adhering to the underbody since this may also contain salt. Check protective wax coating and, if necessary, have it restored to perfect condition.



Vehicle identification data

The vehicle identification number is stamped on the identification plate and in the engine compartment.

In other design variants, the identification plate may also be affixed to the dashboard.

Engine code and engine number: stamped on left-hand side of engine on crankcase.

Coolant, brake fluid, oils

When topping up

- coolant,
- brake fluid,
- transmission fluid

we recommend that you consult your Vauxhall Authorised Repairer, who can advise you on the correct products to use.

Caution: Use of unsuitable fluids can cause serious damage to the vehicle.

Engine oils

Information on engine oils is available in the Service Booklet.

Engine data

Sales designation Engine code	1.0 TWINPORT Z 10 XEP	1.2 TWINPORT Z 12 XEP
Number of cylinders	3	4
Piston displacement (cm ³)	998	1229
Max. engine output (kW) at rpm	44 5600	59 5600
Torque (Nm) at rpm	88 3800	110 4000
Fuel type	Petrol	Petrol
Octane requirement (RON) ¹⁾ unleaded or unleaded or unleaded	95 (S)²⁾ 98 (SP) ²⁾ 91 (N) ²⁾³⁾ –	95 (S)²⁾ 98 (SP) ²⁾ 91 (N) ²⁾³⁾ –
Max. permissible engine speed, continuous (rpm) approx.	6250	6200
Oil consumption (l/1000 km)	0.6	0.6

¹⁾ Standard high-quality fuels, e.g. unleaded DIN EN 228, Diesel DIN EN 590; N = Normal (Regular), S = Super (Premium), SP = Super Plus (Premium Plus), value printed in bold: recommended fuel.

²⁾ Knock control system automatically adjusts ignition timing according to type of fuel used (octane number).

³⁾ Slight reduction in engine power and torque if 91 RON is used.

Performance

(approx. km/h)

Engine ¹⁾	Z 10 XEP	Z 12 XEP
Maximum speed (mph) ²⁾	90	100

¹⁾ Sales designation – see page 146.

²⁾ The maximum speed is achievable with a maximum of half payload. Optional equipment may reduce the specified maximum speed of the vehicle.

**Fuel consumption,
CO₂ emission**

Directive 80/1268/EEC (last changed by 1999/100/EC) has applied for the measurement of fuel consumption since 1996.

The directive is oriented to actual driving practices: urban driving is rated at approx. $\frac{1}{3}$ and off-road driving with approx. $\frac{2}{3}$ (urban and extra-urban consumption). Cold starts and acceleration phases are also taken into consideration.

The specification of CO₂ emission is also a constituent of the directive.

The figures given must not be taken as a guarantee for the actual fuel consumption of a particular vehicle.

All values are based on the EU base model with standard equipment.

The calculation of fuel consumption as specified by directive 1999/100/EC takes account of the vehicle's kerb weight, ascertained in accordance with the said regulation. Optional extras may result in slightly higher fuel consumption and CO₂ emission levels than those quoted.

Saving fuel, protecting the environment - see page 84.

Fuel consumption (l/100 km approx.), **CO₂ emission** (g/km approx.)

Engine¹⁾	Z 10 XEP	Z 12 XEP
Urban	7,0	7,6
Extra-urban	5,1	5,1
Combined	5,8	6,0
CO ₂	139	144

¹⁾ Sales designation – see page 146.

Weights, payload and roof load

Payload is the difference between the permissible gross vehicle weight (see identification plate) and the EC kerb weight.

To calculate the kerb weight, enter the data for your vehicle below:

- z Kerb weight from Table 1, page 151 + kg
- z Weight of heavy accessories from Table 2, page 151 + kg
- The total = kg

is the EC kerb weight.

Optional equipment and accessories increase the kerb weight, which means that the payload will also change slightly.

Note the weights given in the vehicle documents and the identification plate.

The combined total of front and rear axle loads must not exceed the permissible gross vehicle weight. For example, if the front axle is bearing its maximum permissible load, the rear axle can only bear a load that is equal to the gross vehicle weight minus the front axle load.

When a trailer/caravan has been coupled and the towing vehicle is fully laden (including occupants), the permissible rear axle load (see identification plate for specification) may be exceeded by 15 kg and the permissible gross vehicle weight may be exceeded by 27 kg. If the permissible rear axle load is exceeded, a maximum speed of 50 mph applies. If national regulations specify a lower maximum speed when towing, this must be observed.

See the identification plate or vehicle documents for permissible axle loads.

Roof load

The permissible roof load is 35 kg. The roof load consists of the weight of the roof rack plus the load carried.

The height of the load – measured from the roof rail – must not exceed 50 cm.

Driving hints – see page 82.

**Weights (kg): Table 1,
Kerb weight ¹⁾**

Model	Engine ²⁾	
Agila Expression	Z 10 XEP	1040
	Z 12 XEP	1055
Agila with air con.	Z 10 XEP	1052
	Z 12 XEP	1067
Agila Design	Z 10 XEP	1105
	Z 12 XEP	1120
Agila Design with air con.	Z 10 XEP	1117
	Z 12 XEP	1132

**Weights (kg): Table 2,
Heavy accessories**

Agila	
Sun roof	15
Roof rail	12
Electronic power steering (EPS)	5

¹⁾ According to EC Directive 70/156/EC, including assumed weights for driver (68 kg), luggage (7 kg) and all fluids (tank 90% full).
²⁾ Sales designation – see page 146.

Tyres

Restrictions

Not all tyres available on the market currently meet the structural requirements. We recommend that you consult a Vauxhall Authorised Repairer concerning suitable tyre makes.

These tyres have undergone special tests to establish their reliability, safety and specific suitability for Vauxhall vehicles. Despite continuous market monitoring, we are unable to assess these attributes for other tyres, even if they have been granted approval by the relevant authorities or in some other form.

Further information – see page 96.

Winter tyres 3

If you use winter tyres, the spare wheel may still be fitted with a summer tyre. If you use the spare wheel the vehicle's handling may be altered. Obtain a replacement for the faulty tyre as soon as possible, and have the wheel balanced and fitted to the vehicle.

Further information – see page 100.

Tyre chains 3

Tyre chains may be used on the front wheels only.

Only Vauxhall tyre chains, catalogue no. 47 05 448, may be used. They should be fitted to the front wheels only.

Further information – see page 100.

Wheels

Wheel bolt tightening torque: 110 Nm.

On vehicles with alloy wheels 3 the spare wheel may have a steel rim.

The spare wheel may have a smaller tyre and a smaller rim¹⁾: using the spare wheel may cause different driving behaviour. Replace defective tyre as soon as possible, balance wheel and have it fitted to the vehicle.

¹⁾ Country-specific version: The spare wheel is only to be used as a temporary spare wheel.

Tyre pressure in bar/psi²⁾

The specified tyre pressures are valid for cold tyres. Increased tyre pressure resulting from extensive driving must not be reduced. The specified pressures apply to both summer and winter tyres.

Always inflate the spare wheel to the tyre pressure for full load - see table on following page.

Further information – see pages 96 to 100.

²⁾ 1 bar corresponds to 100 kPa/14.5 psi.

(ctd.)
 Tyre pressure in bar/psi¹⁾

Engine ²⁾	Tyres	Tyre pressure for load of up to 3 persons		Tyre pressure for full load	
		Front	Rear	Front	Rear
Z 10 XEP,	155/65 R 14,	2.3/33	2.3/33	2.4/35	3.0/44
Z 12 XEP	165/60 R 14				

¹⁾ 1 bar corresponds to 100 kPa/14.5 psi.

²⁾ Sales designation – see page 146.

Electrical system

Battery	Voltage	12 Volt
	Amp hours	36 Ah, 44 Ah, 55 Ah 3, 60 Ah 3
<hr/>		
Battery for radio remote control of central locking system		CR 16 16
<hr/>		

Capacities

(approx. litre)

Engine ¹⁾	Z 10 XEP	Z 12 XEP
Fuel tank (nominal content)	41	41
Engine oil with filter change between MIN and MAX on dipstick	3.0	3.5
	1.0	1.0
Windscreen washer reservoir	2.2	2.2

¹⁾ Sales designation – see page 146.

Dimensions

(mm)

	Agila
Overall length	3540
Overall width	1625
Width with two exterior mirrors	1940
Overall height	1660
Height with roof rail	1695
Luggage compartment length at floor	580 ¹⁾ /1065 ²⁾
Luggage compartment width maximum	1364
between wheel housing	1115
Height of luggage compartment opening	935
Wheelbase	2360
Turning circle diameter, wall to wall ³⁾	10.60

1) To rear seat backrest.

2) With folded rear seat backrest.

3) In metres.

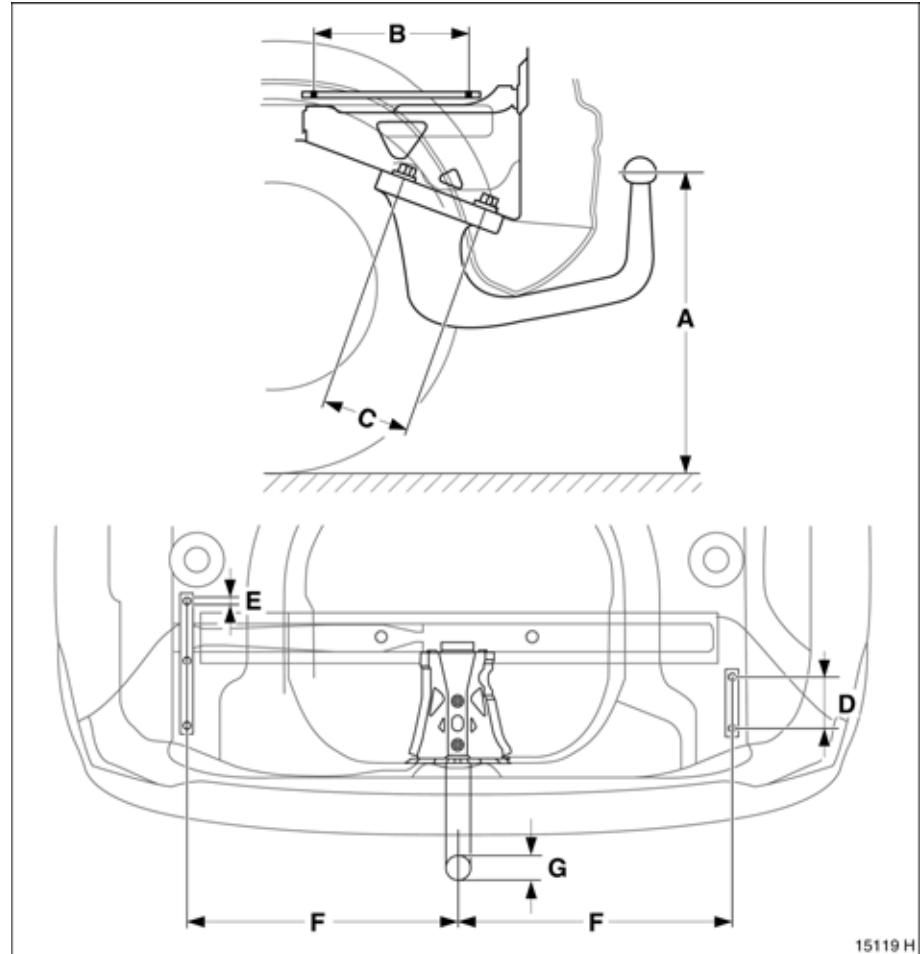
Mounting dimensions of caravan/trailer towing equipment

All dimensions relate to trailer towing equipment approved by Vauxhall.

Dimension	mm
A	380
B	245
C	100
D	100
E	10
F	538
G	50

⚠ Warning

Only use towing equipment approved for your vehicle. We recommend entrusting retrofitting of towing equipment to your Vauxhall Authorised Repairer.



Index

A

ABS (Anti-lock Brake System)	94
Accessories	62, 65, 110
Accessory socket	49
Air conditioning system	78
Air intake	80
Air outlet	80
Air recirculation system	74
Air vents	73
Airbags	57
Alternator	20
Antenna	26
Anti-corrosion service	131
Anti-freeze	134, 138
Anti-freeze protection	134, 138
Anti-knock quality of fuel	86
Anti-theft locking system	33
Anti-theft protection	16
Aquaplaning	99
Ashtray	49

B

Battery	83, 138, 154
Before starting off	14
Belt tensioners	51
Bonnet	37
Boot, see Luggage compartment	41
Brake light	124
Brake system	92

Brakes	92
ABS	94
Brake fluid	136
Brake lights	125
Brake servo unit	82
Foot brake	92
Hand brake	93
Bulb replacement	122
Bulbs,	65, 122

C

Capacities	155
Car Pass	2
Care	140
Catalytic converter	88, 91, 106
Central locking system	31, 33
Changing the remote control battery	32, 154
Changing tyre/wheel type	96
Changing wheels	114
Chassis number, see vehicle identification number	145
Child restraint systems	62
Child safety locks	37
Child safety seats	62
Cigarette lighter	49
Climate control	72
Clock	24
Clutch operation	83
CO ₂ emissions	148
Code numbers	2
Coding, octane numbers	146
Cold start	84

Control indicator

ABS (Anti-lock Brake System)	95
Airbag	60
Engine electronics	90
Exhaust	89
Immobiliser	29
Control indicators	8, 18
Belt tensioners	52
EPS (Electric Power Steering)	18

Coolant	134, 135
Coolant level	135
Coolant temperature display	23
Coolant thermometer	23
Cooling	78
Correcting time	24
Coupling socket load	104
Courtesy light	68
Courtesy lights Bulb replacement	126

D

Dashboard, see Instrument panel	6
Data	28, 31, 144
Date display	24
Daytime running lights	66
Decommissioning	139
Demisting and Defrosting With the air conditioning system	79
Demisting and defrosting Windows	77
Dimensions	156
Dipped beam	66
Bulb replacement	122
Display	24

Door locks 2, 33, 37, 143
 Driving abroad 68, 86, 128, 129
 Driving hints 82

E

Economical driving 83, 84
 Electric power steering 18, 82
 Electrical system 118, 139, 154
 Electronic components 139
 Electronic immobiliser 29
 Engine code 146
 Engine control indicator 90
 Engine oil 132
 Engine oil change 133
 Engine oil consumption 132, 146
 Engine oil filter 133
 Engine oil level 18, 132
 Engine oil pressure 21
 Engine speed 82, 83
 Engine wash 143
 Environmental protection 133, 140
 EPS 18
 Exhaust control indicator 89
 Exhaust gases 90
 Exhaust system 90
 Exterior mirrors 5, 65

F

Fan 72, 131, 132
 Filling station
 Bulb replacement 122
 Capacities 155
 Engine oil level 132
 Fuel 86, 146
 Ignition key 2
 Opening the bonnet 37
 Tyre pressure 152
 Vehicle data 144
 Windscreen wash system (filling) 137
 First-aid kit (cushion) 65, 110
 Flat tyre 114
 Fluid container
 Windscreen wash system 137
 Fog lights 67
 Fog tail light
 Bulb replacement 124
 Fog tail lights 67
 Foot brake 92
 Front passenger airbag 57
 Fuel 86, 146
 Fuel consumption 83, 84, 86, 148
 Fuel filter 134
 Fuel level 23
 Fuses 118, 120, 121, 122

G

Gears 14
 Generator, see Alternator 20
 Genuine Vauxhall
 Parts and Accessories 17, 65
 Glove compartment 47
 Gross vehicle weight 150

H

Halogen headlight system 122
 Hand brake 15, 16, 93
 Hazard warning lights 11
 Head restraints 39
 Headlight flash 10
 Headlight range adjustment 66, 67
 Headlight switch 10, 66
 Headlights 10
 Daytime running lights 66
 Driving abroad 68
 Fog lights 67
 Reversing lights 67
 Warning device 15
 Headlights
 Changing bulbs 122
 Heated rear window 13, 74
 Heating 72, 76, 77
 with the air conditioning system 79
 Heating the foot well 77
 Height adjustment
 Seat belts 54
 High-pressure cleaners 143
 Horn 11

I

Identification plate	144
Ignition system	131, 138, 139
Immobiliser	29
Information display	24
Infotainment system	24
Inspection system	130
Instrument illumination	
Bulb replacement	127
Instrument panel	6
Instruments	18
Interior mirror	4, 65
ISOFIX	62

J

Jack	113, 114, 116
Jump leads	106

K

Key	
Ignition lock	5, 29
Locking doors	28, 29, 31, 33
Remove	16
Starting the engine	5, 15
Key numbers	2
Keys	2

L

Lashing eyes	42
Leather trim	142
Light switch	10, 66
Lighting	10, 66, 122
Driving abroad	68
Loading	85, 103, 150
Loading the vehicle	150
Locking doors	28, 30, 31
Locking from the inside	30
Locks	143
Luggage compartment	
Cover	43
Extension	41
Lashing eyes	42
Loading	103
Locking	30, 36
Luggage compartment cover	43

M

Main beam	10, 66
Bulb replacement	122
Control indicator	18
Maintenance	130
Air conditioning system	81
Anti-freeze protection	134, 138
Brake fluid	136
Brakes	92
Catalytic converter	91
Engine oil	132
Fuel consumption	85
Tyre pressure	97
Tyres	98
Windscreen wipers	137
Manual transmission	14
Mirrors	4, 65
Misted windows	77
Mobile telephone	26

N

Number plate light	31, 37
Number plate lights	
Bulb replacement	126
Number plate lighting	31, 37, 126

O

Octane numbers	86, 146
Odometer	22
Oil change	133
Oil consumption	132, 146
Oil filter change	133
Oil level	132
Oil pressure	21
Oils	145
Operating temperature	83
Outside temperature gauge	25
Overrun	83, 85

P

Paintwork damage	141
Parking	16
Parking lights	10, 66
Bulb replacement	123
Parking the vehicle	16
Parts	17
Pedals	83
Performance	147
Petrol	86, 146
Pinking	86
Pollen filter	80
Power assisted steering, see Electric power steering	18, 82
Protection against unauthorized use	2, 5, 29, 37
Pushing, towing	106

R

Radio	26
Radio equipment (CB)	26
Radio remote control	31
Rear light cluster	10, 66
Bulb replacement	124
Rear window wash system	12, 137
Rear window wiper	12
Refuelling	87
Fuel filler cap	87
Replacement keys	28
Reversing lights	67
Bulb replacement	124
Roof load	82, 85, 150
Roof rack	102
Roof racks	82, 85, 102
Rucksack	46
Running-in	82
Brakes	92

S

Safety	50
Safety accessories	62, 65, 110
Safety net	43
Saving energy	83, 84
Seat belts	5, 51
Seat height adjustment	4
Seats	5, 39
Self-diagnostics	60, 95
Self-help	106
Radio remote control	32
Service interval display	130
Service work	16

Side airbags	59
Signal system	10, 11
Silencer, see Exhaust system	90
Spare keys	28
Spare wheel	111
Speed	84, 85
Fuel consumption	84, 85
Speedometer	22
Starter switch	5
Starting the engine	5, 15, 29, 106
Self-help	106
Steam-jet cleaners	143
Steering column lock	5, 16
Storage box	45
Sun roof	71
Sun shade	71
Sun visors	48

T

Tachometer	22
Tail lights	66
Bulb replacement	124
Tailgate	30, 35
Tank	
Fuel gauge	23
Technical data	144
Telephone, see Mobile telephone	26
Temporary spare wheel	101
The first 600 miles / 1000 km	82
Tightening torque	117
Tools	111
Towing	108, 109
Towing equipment	103
Towing eye	108, 109

Trailer/caravan towing	102
Transmission	14
Tray	45, 46, 47
Tread depth	98
Trip odometer	22
Triple information display	24
Turn signal lights	11
Turn signals	
Bulb replacement	124
Tyre chains	100, 152
Tyre condition	98
Tyre pressure	82, 97, 152
U	
Underbody wash	143
Unleaded fuel	86, 146
Used oil	133
V	
Vauxhall Service	16, 128
Vehicle care	140
Vehicle decommissioning	139
Vehicle identification number	144
Vehicle keys, see Keys	28
Vehicle recommissioning	139
Vehicle tools	111
Ventilation	72, 76

W

Warning buzzers	15
Warning triangle,	65
Weights	150
Wheels	96, 98
Wheels, tyres	96
Windows	69, 70
Demisting and defrosting	77, 79
Windscreen wash system	12
Anti-freeze protection	138
Capacities	155
wash bottle	137
Windscreen wipers	12, 137
Winter operation	
Battery	83
Coolant, anti-freeze	134
Fuel consumption	85
Heating	72
Locks	143
Tyre chains	100, 152
Window demisting and defrosting	77
Windscreen wash system, antifreeze protection	138
Winter tyres	100, 152



©Copyright by Vauxhall Motors Ltd., England.

Reproduction or translation, in whole or in parts, is not permitted without prior written consent from Vauxhall Motors Ltd.

All rights as understood under the copyright laws are explicitly reserved by Vauxhall Motors Ltd.

All information, illustrations and specifications contained in this manual are based on the latest production information available at the time of publication.

The right is reserved to make changes at any time without notice.

Edition: July 2006.

TS 1525-A-07



VAUXHALL