

ABB Model266GST pressure transmitters datasheet

<http://www.manuallib.com/abb/model266gst-pressure-transmitters-datasheet.html>

Enables quick and easy local configuration without the need to open the cover - even in environments with explosion protection

ManualLib.com collects and classifies the global product instruction manuals to help users access anytime and anywhere, helping users make better use of products.

<http://www.manuallib.com>

Model 266GST Gauge Model 266AST Absolute

2600T series pressure transmitters

Engineered solutions for all applications

Measurement made easy



Base accuracy

- 0.04 % of calibrated span (optional 0.025 %)

Proven sensor technology together with state-of-the-art digital technology

- Large turn down ratio of up to 100:1

Comprehensive selection of sensors

- Optimized performance and stability

10-year stability

- 0.15 % of URL

Flexible configuration options

- Local configuration via keys on LCD indicator

New TTG (through-the-glass) key technology

- Enables quick and easy local configuration without the need to open the cover - even in environments with explosion protection

IEC 61508 certification

- For SIL2 (1oo1) and SIL3 (1oo2) applications

Full compliance with Pressure Equipment Directive (PED) category III

Model 266GST Gauge

Model 266AST Absolute

Functional specification

Measuring range limits and span limits

Sensor code	Upper range limit (URL)	Lower range limit (LRL) 266GST (Δ)	Minimum measuring span	
			266GST	266AST
C	6 kPa 60 mbar 24 inH ₂ O	-6 kPa -60 mbar -24 inH ₂ O	0.2 kPa 2 mbar 0.8 inH ₂ O	0.3 kPa 3 mbar 2.25 mmHg
F	40 kPa 400 mbar 160 inH ₂ O	-40 kPa -400 mbar -160 inH ₂ O	0.4 kPa 4 mbar 1.6 inH ₂ O	2 kPa 20 mbar 15 mmHg
L	250 kPa 2,500 mbar 1,000 inH ₂ O	0 abs	2.5 kPa 25 mbar 10 inH ₂ O	12.5 kPa 125 mbar 93.8 mmHg
D	1,000 kPa 10 bar 145 psi	0 abs	10 kPa 100 mbar 1.45 psi	50 kPa 500 mbar 7.25 psi
U	3,000 kPa 30 bar 435 psi	0 abs	30 kPa 0.3 bar 4.35 psi	150 kPa 1.5 bar 21.7 psi
R	10,000 kPa 100 bar 1,450 psi	0 abs	100 kPa 1 bar 14.5 psi	500 kPa 5 bar 72.6 psi
V	60,000 kPa 600 bar 8,700 psi	0 abs	600 kPa 6 bar 87 psi	-

(Δ) Measuring range lower limit (LRL) for 266AST is 0 abs for all measuring ranges

Span limits

Maximum span = URL

For optimum measuring accuracy, it is recommended that you select the sensor code which will provide the lowest TD value.

Zero position suppression and elevation

The zero position and span can be set to any value within the measuring range limits listed in the table if:

- Set span ≥ minimum span

Damping

Configurable time constant between 0 and 60 s.

This is in addition to the sensor response time.

Warm-up time

Ready for operation as per specifications in less than 10 s with minimum damping.

Insulation resistance

>100 MΩ at 500 V DC (between terminals and ground).

Operating limits

Pressure limits

Overpressure limits

Without damage to the transmitter

Sensors	Overpressure limits
Sensor C, F	0 absolute and 1 MPa, 10 bar, 145 psi
Sensor L	0 absolute and 3 MPa, 30 bar, 435 psi
Sensor D	0 absolute and 6 MPa, 60 bar, 870 psi
Sensor U	0 absolute and 6 MPa, 60 bar, 870 psi
Sensor R	0 absolute and 30 MPa, 300 bar, 4350 psi
Sensor V	0 absolute and 90 MPa, 900 bar, 13,050 psi

Test pressure

The transmitter can be subjected to a line pressure up to the following values without leakage:

Sensors	Overpressure limits
Sensor C, F	0 absolute and 1 MPa, 10 bar, 145 psi
Sensor L	0 absolute and 3 MPa, 30 bar, 435 psi
Sensor D	0 absolute and 6 MPa, 60 bar, 870 psi
Sensor U	0 absolute and 6 MPa, 60 bar, 870 psi
Sensor R	0 absolute and 30 MPa, 300 bar, 4350 psi
Sensor V	0 absolute and 90 MPa, 900 bar, 13,050 psi

Meets hydrostatic test requirements of ANSI/ISA-S 82.03.

Model 266GST Gauge

Model 266AST Absolute

Temperature limits °C (°F)

Environment

This is the operating temperature

Models 266GST, 266AST	Ambient temperature limits
Silicone oil	-40 ... 85 °C (-40 ... 185 °F)
Fluorocarbon (Galden)	-40 ... 85 °C (-40 ... 185 °F)
White oil	-6 ... 85 °C (21 ... 185 °F)
Integral LCD display	-40 ... 85 °C (-40 ... 185 °F)

Below -20 °C (-4 °F) and above 70 °C (158 °F), it may no longer be possible to read the LCD display clearly.

Important

For applications in explosive environments, the temperature range specified on the certificate / approval applies dependent upon the degree of protection sought.

Process

Models 266GST, 266AST	Process temperature limits
Silicone oil	-50 ... 121 °C (-58 ... 250 °F)
Fluorocarbon (Galden)	-40 ... 121 °C ¹ (-40 ... 250 °F)
White oil	-6 ... 121 °C (21 ... 250 °F)

¹ ≤ 85 °C (185 °F) for operating pressures below the atmospheric pressure

Storage

Models 266GST, 266AST	Storage temperature range
Storage temperature	-50 ... 85 °C (-58 ... 185 °F)
Integral LCD display	-40 ... 85 °C (-40 ... 185 °F)
White oil	-6 ... 85 °C (21 ... 185 °F)

Limits for environmental effects

Electromagnetic compatibility (EMC)

Meets requirements of EN 61326 and Namur NE-21

Overvoltage strength (with surge protection): 4 kV (in acc. with IEC 1000-4-5 EN 61000-4-5)

Pressure Equipment Directive (PED)

Meets requirements of Directive 97/23/EC Category III, module H.

Humidity

Relative humidity: Up to 100 %.

Condensation, icing: Permissible.

Vibration resistance

Acceleration up to 2 g at frequencies of up to 1,000 Hz (according to IEC 60068-2-6).

Shock resistance

Acceleration: 50 g

Duration: 11 ms

(according to IEC 60068-2-27).

Humid and dusty atmospheres (degree of protection)

The transmitter is dust and sand-proof and protected against immersion effects as defined by EN 60529 (1989) to IP 67

(IP 68 on request), by NEMA to 4X, or by JIS C0920.

IP 65 with Harting Han plug connector.

Hazardous atmospheres

With or without integral LCD display

"Intrinsic Safety" type of protection:

Approval acc. to ATEX Europa (code E1) and IEC Ex (code E8)

II 1 G Ex ia IIC T6/T5/T4 and

II 1/2 G Ex ia IIC T6/T5/T4; IP67.

II 1 D Ex iaD 20 T85 °C and

II 1/2 D Ex iaD 21 T85 °C; IP67.

NEPSI China (Code EY)

Ex ia IIC T4~T6, DIP A20T_A, T4~T6.

"Flameproof Enclosure" type of protection:

Approval acc. to ATEX Europa (code E2) and IEC Ex (code E9)

II 1/2 G Ex d IIC T6 and

II 1/2 D Ex tD A21 T85 °C (-50 °C ≤ Ta ≤ +75 °C); IP67.

NEPSI China (Code EZ)

Ex d IIC T6, DIP A21T_A, T6.

"nL" type of protection:

ATEX Europa (code E3) and IEC Ex (code ER)

Declaration of conformity

II 3 G Ex nL IIC T6/T5/T4 and

II 3 D Ex tD A22 T85 °C; IP67.

NEPSI China (code EY) declaration of conformity

Ex nL IIC T4~T6, DIP A22T_A, T6.

FM approvals for USA (code E6) and

FM approvals for Canada (code E4):

- Explosionproof (US): Class I, Div. 1, Groups A, B, C, D
 - Explosionproof (Canada): Class I, Div. 1, Groups B, C, D
 - Dust ignitionproof : Class II, Div. 1, Groups E, F, G
 - Suitable for: Class II, Div. 2, Groups F, G; Class III, Div.1, 2
 - Nonincendive: Class I, Div. 2, Groups A, B, C, D
 - Intrinsically safe: Class I, II, III, Div. 1, Groups A, B, C, D, E, F, G
Class I, Zone 0 AEx ia IIC T6/T4, Zone 0 (FM US)
Class I, Zone 0 Ex ia IIC T6/T4, Zone 0 (FM Canada)
-

ATEX combined (code EW = E1 + E2 + E3), (code E7 = E1 + E2)

ATEX combined and FM approvals (code EN = EW + E4 + E6)

Combined FM approvals for USA and Canada

- Intrinsic safety (code EA)
 - Flameproof enclosure (code EB)
 - Non-incendive (code EC)
-

IEC combined (code EH = E8 + E9), (code EI = E8 + E9 + ER)

NEPSI combined (code EP = EY + EZ), (code EQ = EY + EZ + ES)

- GOST (Russia), GOST (Kazakhstan), based on ATEX
-

The permissible ambient temperature ranges (within the limits of -50 and 85 °C) are specified in the type examination certificates dependent upon the temperature class.

Model 266GST Gauge

Model 266AST Absolute

Electrical data and options

HART digital communication and 4 ... 20 mA output

Power supply

The transmitter operates from 10.5 ... 42 V DC with no load and is protected against reversed polarity (additional loads enable operation above 42 V DC).

During use in Ex ia zones and in other intrinsically safe applications, the power supply must not exceed 30 V DC. Minimum operating voltage with "surge protection" option: 12.3 V DC

Ripple

Max. 20 mV over a 250 Ω load as per HART specifications.

Load limitations

Total loop resistance at 4 ... 20 mA and HART:

$$R \text{ (k}\Omega\text{)} = \frac{\text{Voltage supply} - \text{Minimum operating voltage (V DC)}}{22 \text{ mA}}$$

A minimum resistance of 250 Ω is required for HART communication.

Displays (optional)

Integrated LCD display (code L1)

Widescreen LCD display, 128 x 64 pixels, 52.5 x 27.2 mm (2.06 x 1.07 in.) dot matrix. Multilanguage. Four keys for device configuration and management. Easy setup for quick commissioning. Customized visualizations which the user can select. Totalized and actual value flow indication. The display can also be used to show static pressure, sensor temperature, and diagnostics messages, as well as make configuration settings.

Integrated LCD display with TTG operation (code L5)

As with the integrated LCD display above, but featuring an innovative TTG (through-the-glass) keypad which can be used to activate the device's configuration and management menus without having to remove the transmitter housing cover. The TTG keys are protected against accidental activation.

Surge protection (optional)

Up to 4 kV

- Voltage: 1.2 μs rise time / 50 μs delay time at half value
- Current: 8 μs rise time / 20 μs delay time at half value

Output signal

Two-wire output 4 ... 20 mA, can be selected by user: linear or linearization table with 22 points (e.g., for level measurements in horizontal, cylindrical containers or spherical vessels).

HART communication provides digital process variables superimposed on the 4 ... 20 mA signal (protocol according to Bell 202 FSK standard).

Output current limits (according to NAMUR standard)

Overload condition

- Lower limit: 3.8 mA (configurable from 3.8 ... 4 mA)
- Upper limit: 20.5 mA (configurable from 20 ... 21 mA)

Alarm current

- Minimum alarm current: 3.6 mA (configurable from 3.6 ... 4 mA)
- Maximum alarm current: 21 mA (configurable from 20 ... 22 mA)

Default setting: High Alarm Current

FOUNDATION fieldbus output

Model

LINK MASTER

Link Active Scheduler (LAS) capability implemented.

Manufacturer code: 000320 (hex)

Device type code: 0007 (hex)

Power supply

The transmitter operates from 9 ... 32 V DC, regardless of polarity, with or without surge protection.

During use in EEx ia zones, the power supply must not exceed 24 V DC (entity certification) or 17.5 V DC (FISCO certification) according to FF-816.

Current consumption

Operating (quiescent): 15 mA

Fault current limit value: 20 mA max.

Output signal

Physical layer in accordance with IEC 11582 / EN 611582; transmission using Manchester II modulation at 31.25 kbit/s.

Function blocks / cycle time

- 3 enhanced analog input blocks / 25 ms max. (each)
- 1 extended PID block / 40 ms max.
- 1 standard arithmetic block / 25 ms
- 1 standard input selector block / 25 ms
- 1 standard control selector block / 25 ms
- 1 standard signal characterization block / 25 ms
- 1 standard integrator / totalizer block / 25 ms

Additional blocks

- 1 enhanced resource block
- 1 manufacturer-specific pressure with calibration transducer block
- 1 manufacturer-specific advanced diagnostics transducer block
- 1 manufacturer-specific local display transducer block

Number of link objects

35

Number of VCRs

35

Output interface

FOUNDATION fieldbus digital communication protocol in accordance with standard H1; complies with specification V. 1.7.

FF registration in progress.

Integrated LCD display

Widescreen LCD display, 128 x 64 pixels, 52.5 x 27.2 mm (2.06 x 1.07 in.) dot matrix. Multilanguage.

Four keys for device configuration and management.

Easy setup for quick commissioning.

Customized visualizations which the user can select.

The display can also be used to show sensor temperature and diagnostics messages, as well as make configuration settings.

Transmitter interference mode

The output signal is "frozen" at the last valid value in the event of significant transmitter interference, once this interference is detected by the self-diagnostics function (which also displays error states).

In the event of electronics failures or short circuits, the transmitter consumption is electronically limited to a defined value (approx. 20 mA) in order to ensure network safety.

Model 266GST Gauge

Model 266AST Absolute

PROFIBUS PA output

Model

Pressure transmitter, compliant with Profile 3.0.1
ID number: 3450 (hex)

Power supply

The transmitter operates from 9 ... 32 V DC, regardless of polarity, with or without surge protection.
The power supply must not exceed 17.5 V DC when used in EEx ia zones.
Intrinsically safe installation in accordance with FISCO model.

Current consumption

Operating (quiescent): 15 mA
Fault current limit value: 20 mA max.

Output signal

Physical layer in accordance with IEC 1158 2 / EN 61158-2;
transmission using Manchester II modulation at 31.25 kbit/s.

Output interface

PROFIBUS PA communication according to
PROFIBUS DP 50170 Part 2 / DIN 19245 Part 1-3.

Output cycle time

25 ms

Data blocks

1 "physical block"
3 "analog input" blocks
1 "pressure transducer block" with calibration
1 "transducer block" for local display

Integrated LCD display

Widescreen LCD display, 128 x 64 pixels,
52.5 x 27.2 mm (2.06 x 1.07 in.) dot matrix. Multilanguage.
Four keys for device configuration and management.
Easy setup for quick commissioning.
Customized visualizations which the user can select.
The display can also be used to show sensor temperature and diagnostics messages, as well as make configuration settings.

Transmitter interference mode

In the event of significant transmitter interference that is detected by the self-diagnostics function, the output signal can be put into defined states that the user is able to select: safe value, last valid value, or calculated value.
In the event of electronics failures or short circuits, the transmitter consumption is electronically limited to a defined value (approx. 20 mA) in order to ensure network safety.

Measuring accuracy

Reference conditions according to IEC 60770.

Ambient temperature 20 °C (68 °F), rel. humidity 65 %, atmospheric pressure 1013 hPa (1013 mbar), measuring span based on zero, separating diaphragms made from ceramic, stainless steel AISI 316 L, or Hastelloy, silicone oil filling fluid, HART digital trim values equal to 4 and 20 mA span end points, linear characteristic.

Unless otherwise stated, errors are specified as a % of the span value.

Some measuring accuracy levels relating to the upper measuring range limit (URL) are affected by the current turn down (TD); i.e., the ratio of the upper measuring range limit to the set span.

FOR OPTIMUM MEASURING ACCURACY, IT IS RECOMMENDED THAT YOU SELECT THE SENSOR CODE WHICH WILL PROVIDE THE LOWEST TD VALUE.

Dynamic performance (according to IEC 61298-1)

Sensors	Time constant (63.2 % of total step response)
Sensor C to V (all)	150 ms
Reaction time for all sensors	40 ms

Response time (total) = reaction time + time constant

Measuring error

% of calibrated span, consisting of terminal-based non-linearity, hysteresis, and non repeatability.

In the case of fieldbus devices, SPAN refers to the analog input function block output scaling.

Model	Sensor	For TD range	
266GST	C to V	From 1:1 to 10:1	±0.04 %
	C	From 10:1 to 30:1	±(0.04 + 0.005 x TD - 0.05) %
	F to V	From 10:1 to 100:1	±(0.04 + 0.005 x TD - 0.05) %
	L to R	From 1:1 to 10:1	±0.025 % (optional)
266AST	C to R	From 1:1 to 10:1	±0,04 %
	C to R	From 10:1 to 20:1	±(0.04 + 0.005 x TD - 0.05) %

Ambient temperature

Per 20 K change within the limits of -40 to 85 °C (per 36 °F change within the limits of -40 to 185 °F):

Model	Sensor	For TD range	
266GST	C and F	10:1	±(0.06 % URL + 0.09 % span)
266GST	L to V	10:1	±(0.03 % URL + 0.045 % span)
266AST	C and F	10:1	±(0.06 % URL + 0.09 % span)
266AST	L to R	10:1	±(0.03 % URL + 0.045 % span)

In the case of an ambient temperature change between -10 and 60 °C (14 and 140 °F):

Model	Sensor	For TD range	
266GST	C and F	10:1	±(0.08 % URL + 0.08 % span)
266GST	L to V	10:1	±(0.06 % URL + 0.06 % span)
266AST	C and F	10:1	±(0.2 % URL + 0.1 % span)
266AST	L to R	10:1	±(0.06 % URL + 0.06 % span)

Per 10 K change within the limits of -40 to -10 °C or 60 to 85 °C (per 18 °F change within the limits of -40 to 14 °F or 140 to 185 °F):

Model	Sensor	For TD range	
266GST	C and F	10:1	±(0.04 % URL + 0.05 % span)
266GST	L to V	10:1	±(0.03 % URL + 0.045 % span)
266AST	C and F	10:1	±(0.1 % URL + 0.05 % span)
266AST	L to R	10:1	±(0.03 % URL + 0.045 % span)

Model 266GST Gauge

Model 266AST Absolute

Power supply

Within the limit values for the voltage / load, the total influence is less than 0.005 % of the upper measuring range limit per volt.

Load

Within the load / voltage limits, the total influence is negligible.

Electromagnetic field

Meets all requirements of EN 61326 and NAMUR NE-21.

Common-mode interference

No influence from 100 V rms @ 50 Hz, or 50 V DC

Mounting position

The recommended mounting position is vertical, with the process connection pointing downward.

Any deviations from this position will lead to a zero error, which can be corrected by setting the zero point. With measuring range codes C and F, a deviation of 90° has an additional effect on the ambient temperature of up to 0.02 mbar/10K.

Long-term stability

± 0.15 % of URL over a period of 10 years
(± 0.05 % URL/year)

Total performance

Temperature change of 28 °C (50 °F),
only 266GST: with base accuracy option D1 (0.025 %)

Model	Sensor	For TD	Total performance
266GST	L to R	1:1	± 0.108 % of calibrated span
266AST	C to R	1:1	± 0.112 % of calibrated span

Within a temperature change range of -10 to 60 °C (14 to 140 °F) (DIN 16086),

only 266GST: with base accuracy option D1 (0.025 %)

Model	Sensor	For TD	Total performance
266GST	L to R	1:1	± 0.123 % of calibrated span
266AST	C to R	1:1	± 0.126 % of calibrated span

The total performance accuracy includes the measuring error (non-linearity including hysteresis and non repeatability), as well as the thermal change in the ambient temperature as regards the zero signal and span.

$$E_{\text{perf}} = \sqrt{(E_{\Delta TZ} + E_{\Delta TS})^2 + E_{\text{lin}}^2}$$

E_{perf} = Total performance

$E_{\Delta TZ}$ = Effect of the ambient temperature on the zero signal

$E_{\Delta TS}$ = Effect of the ambient temperature on the measuring span

E_{lin} = Measuring error

Technical specification

(Please refer to the order information to check the availability of different versions of the relevant model)

Materials

Process isolating diaphragms¹

Hastelloy C276; Hastelloy C276, gold plated; stainless steel AISI 316L (1.4435)

Process connection¹

Stainless steel AISI 316L (1.4404), Hastelloy C276

Sensor filling fluid

Silicone oil; fluorocarbon (Galden); white oil (FDA)

Mounting bracket²

Barrel version:

Galvanized C steel with chromium passivation;
Stainless steel AISI 316L (1.4404)

DIN version:

AISI 304 (1.4301)

Pressure sensor housing

Stainless steel AISI 316L (1.4404)

Electronics housing and cover

Aluminum alloy (copper content ≤ 0.3 %) with baked epoxy finish (color RAL9002); stainless steel AISI 316L.

O-ring cover

Buna N

Local zero point, measuring span, and write protection settings

Fiber glass-reinforced polyphenylene oxide (removable)

Plates

Stainless steel (AISI 316) for transmitter name plate, certification plate, optional measuring point tag plate / settings plate attached to electronics housing, and optional tag plate with customer data. All plates laser-labeled.

Calibration

Standard:

- 0 to measuring range upper limit, for ambient temperature and atmospheric pressure

Optional:

- To specified measuring span

¹ Transmitter parts that come into contact with fluid

² U-bolt material: stainless steel AISI 400;

screw material: high-strength alloy steel or stainless steel AISI 316

Optional extras

Mounting bracket

For 60 mm (2 in.) pipes or wall mounting

LCD display

Can be rotated in 90° increments into 4 positions

Additional tag plates

Code I2: For measuring point tag (up to 30 characters) and calibration specifications (up to 30 characters: lower and upper value plus unit), attached to transmitter housing.

Code I1: For customer data (4 lines with 30 characters each), wired to transmitter housing

Surge protector

Cleaning stage for oxygen applications (O2)

Test certificates (test, design, characteristics, material traceability)

Name plate and operating instruction language

Communication plug connectors

Model 266GST Gauge

Model 266AST Absolute

Process connections

1/2 – 14 NPT internal or external thread;
DIN EN 837-1 G 1/2 B or G 1/2 B (HP) for convex seals; flush diaphragm; for ball valve

Electrical connections

Two 1/2-14 NPT or M20 x 1.5 threaded bores for cable glands, directly on housing.
Special communication connector (on request)

- HART: Straight or angled Harting Han 8D connector and one mating plug.
- FOUNDATION fieldbus, PROFIBUS PA: M12 x 1 or 7/8 in. plug

Terminals

HART version: Three connections for signal / external display, for wire cross sections of up to 2.5 mm² (14 AWG), and connection points for testing and communication purposes
Fieldbus versions: Two signal connections (bus connection) for wire cross sections of up to 2.5 mm² (14 AWG)

Grounding

Internal and external ground terminals are provided for 6 mm² (10 AWG) wire cross sections.

Mounting position

The transmitters can be installed in any position. The electronic housing can be rotated into any position. A stop is provided to prevent overturning.

Weight

Approx. 2 kg (4.4 lb); additional 1.5 kg (3.3 lb) for stainless steel housing.
Add 650 g (1.5 lb) for packaging.

Packaging

Carton with dimensions of 25 x 20 x 14 cm, approx. (10 x 8 x 6 in.)

Configuration

Transmitter with HART communication and 4 ... 20 mA Standard configuration

Transmitters are calibrated at the factory to the customer's specified measuring range. The calibrated range and measuring point number are provided on the name plate. If this data has not been specified, the transmitter will be delivered with the plate left blank and the following configuration:

Physical unit	kPa
4 mA	Zero
20 mA	Measuring range upper limit (URL)
Output	Linear
Damping	1 s
Transmitter interference mode	High alarm
Software tag (max. 8 characters)	Blank
Optional LCD display	PV in kPa; output in mA and in percent as bargraph

Any or all of the configurable parameters listed above - including the lower and upper range values (with the same unit of measurement) - can easily be changed using a portable HART handheld communicator or a PC running the configuration software with the DTM for 266 models. Specifications concerning the flange type and materials, O-ring and vent / drain valve materials, and additional device options are stored in the transmitter database.

Customer-specific configuration (option N6)

The following information can be specified in addition to the standard configuration parameters:

Description	16 alphanumeric characters
Supplementary information	32 alphanumeric characters
Date	Day, month, year

For the HART protocol, the following physical units are available for pressure measurements:

Pa, kPa, MPa
 inH₂O @ 4 °C, mmH₂O @ 4 °C, psi
 inH₂O @ 20 °C, ftH₂O @ 20 °C, mmH₂O @ 20 °C
 inHg, mmHg, Torr
 g/cm², kg/cm², atm
 mbar, bar

These and others are available for PROFIBUS and FOUNDATION fieldbus.

Transmitter with PROFIBUS PA communication Standard configuration

Transmitters are calibrated at the factory to the customer's specified measuring range. The calibrated range and measuring point number are provided on the name plate. If this data has not been specified, the transmitter will be delivered with the plate left blank and the following configuration:

Measuring profile	Pressure
Physical unit	kPa
Output scale 0 %	Measuring range lower limit (LRL)
Output scale 100 %	Measuring range upper limit (URL)
Output	Linear
Upper alarm limit	Measuring range upper limit (URL)
Upper warning limit	Measuring range upper limit (URL)
Lower warning limit	Measuring range lower limit (LRL)
Lower alarm limit	Measuring range lower limit (LRL)
Hysteresis limit value	0.5 % of output scaling
PV filter time	0 s
Address (set using local control buttons)	126
Measuring point tag	30 alphanumeric characters
Optional LCD display	PV in kPa; output in percent as bargraph display

Any or all of the configurable parameters listed above - including the measuring range values (with the same unit of measurement) - can easily be changed using a PC running the configuration software with the DTM for 266 models. Specifications concerning the flange type and materials, O-ring and vent / drain valve materials, and additional device options are stored in the transmitter database.

Customer-specific configuration (option N6)

The following information can be specified in addition to the standard configuration parameters:

Description	32 alphanumeric characters
Supplementary information	32 alphanumeric characters
Date	Day, month, year

Model 266GST Gauge

Model 266AST Absolute

Transmitter with FOUNDATION fieldbus communication

Standard configuration

Transmitters are calibrated at the factory to the customer's specified measuring range. The calibrated range and measuring point number are provided on the name plate. If this data has not been specified, the transmitter will be delivered with the plate left blank and the analog input function block FB1 will be configured as follows:

Measuring profile	Pressure
Physical unit	kPa
Output scale 0 %	Measuring range lower limit (LRL)
Output scale 100 %	Measuring range upper limit (URL)
Output	Linear
Upper alarm limit	Measuring range upper limit (URL)
Upper warning limit	Measuring range upper limit (URL)
Lower warning limit	Measuring range lower limit (LRL)
Lower alarm limit	Measuring range lower limit (LRL)
Hysteresis limit value	0.5 % of output scaling
PV filter time	0 s
Measuring point tag	30 alphanumeric characters
Optional LCD display	PV in kPa; output in percent as bargraph display

The analog input function blocks FB2 and FB3 are each configured for the sensor temperature measured in °C and the static pressure measured in MPa. Any or all of the configurable parameters listed above - including the measuring range values - can easily be changed using a FOUNDATION fieldbus-compatible configuration tool. Specifications concerning the flange type and materials, O-ring and vent / drain valve materials, and additional device options are stored in the transmitter database.

Customer-specific configuration (option N6)

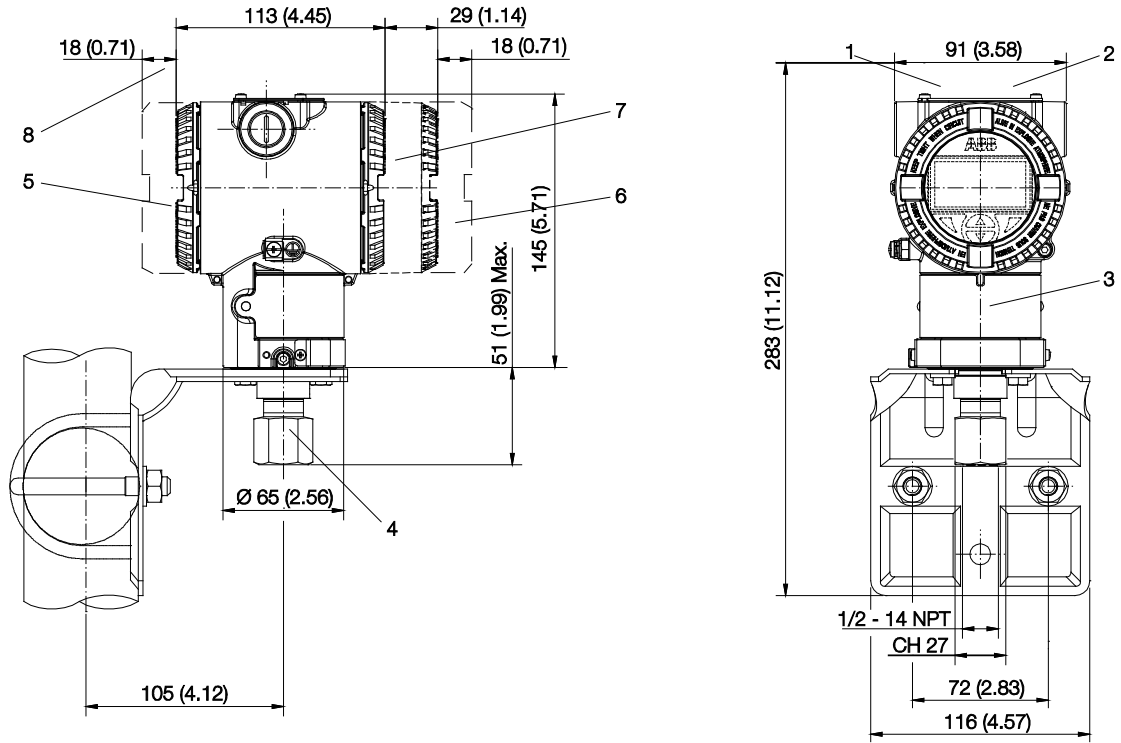
The following information can be specified in addition to the standard configuration parameters:

Description	32 alphanumeric characters
Supplementary information	32 alphanumeric characters
Date	Day, month, year

Mounting dimensions

(not design data) - dimensions in mm (inch)

Transmitter with barrel housing – 1/2 NPT female thread



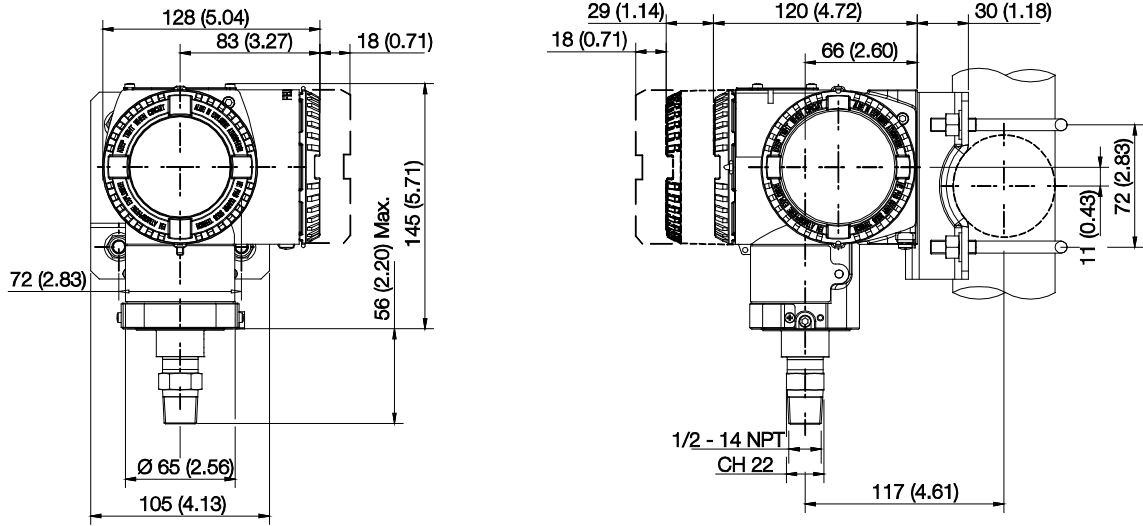
M10785

Fig. 1: Dimensions - Barrel housing – 1/2 NPT female thread

1 Settings | 2 Name plate | 3 Certification plate | 4 Process connection | 5 Terminal side | 6 LCD display housing cover | 7 Electronics side | 8 Space for removing the cover

Model 266GST Gauge Model 266AST Absolute

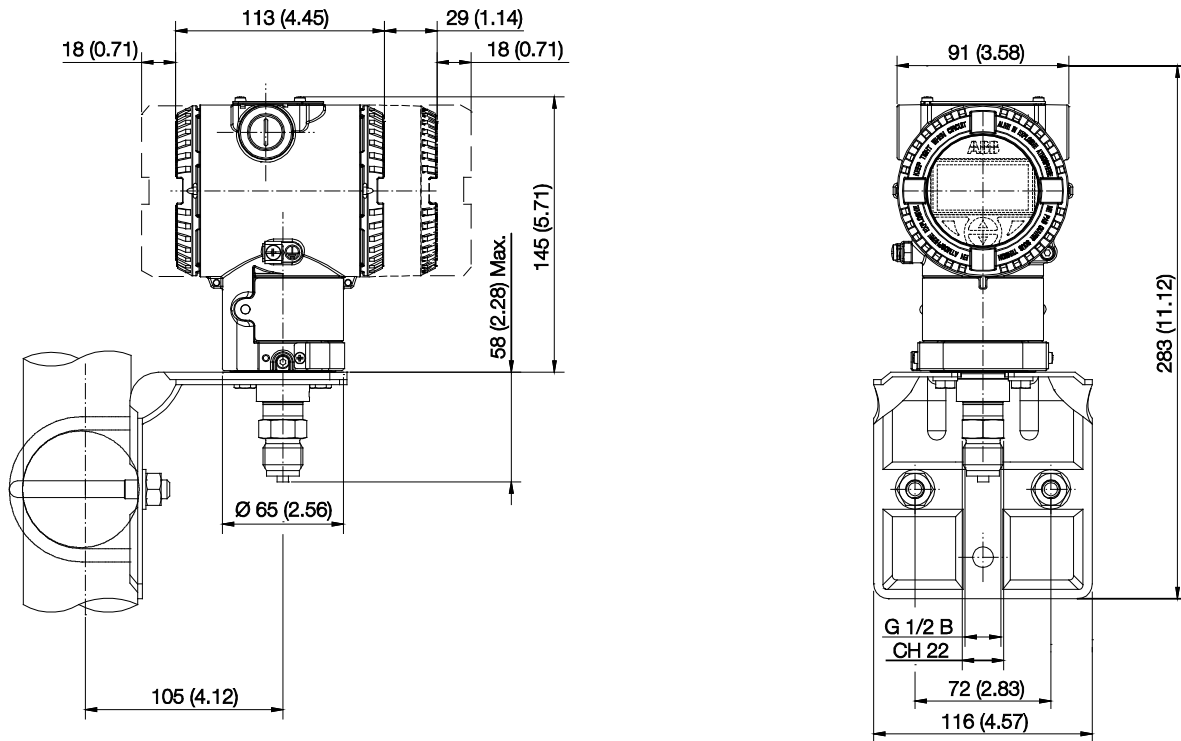
Transmitter with DIN aluminum housing – 1/2 NPT external thread



M10026

Fig. 2: Dimensions - DIN aluminum housing – 1/2 NPT external thread

Transmitter with barrel housing – DIN-EN837-1 G 1/2 B connection

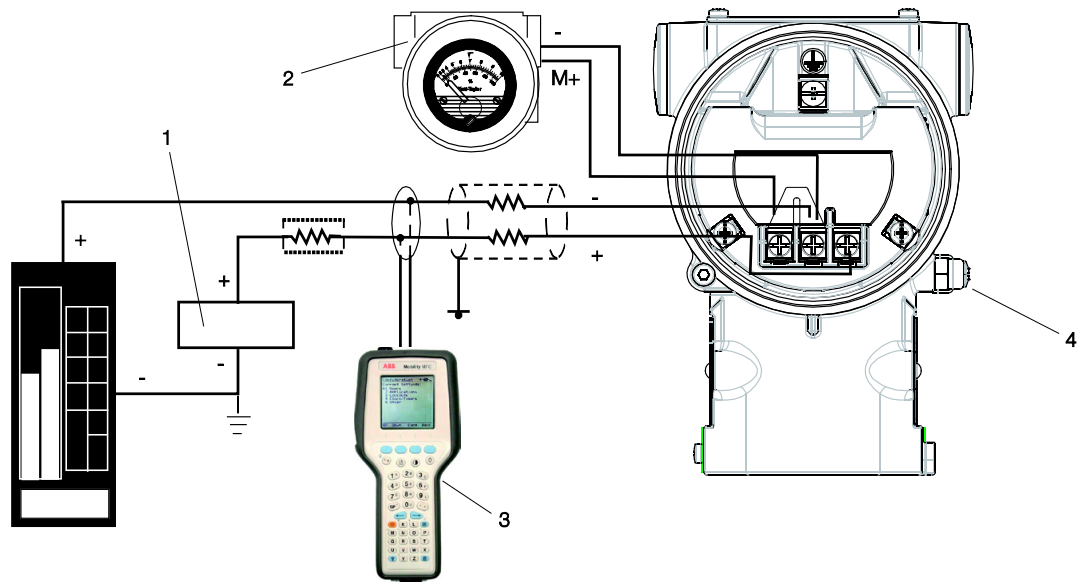


M10786

Fig. 3: Dimensions - Barrel housing – DIN-EN837-1 G 1/2 B connection

Electrical connections

HART version



M10023

Fig. 4: Electrical connections - HART version

1 Power supply | 2 Remote display | 3 Handheld terminal | 4 External ground connection

The HART handheld terminal can be connected to any wiring termination point in the loop, provided there is a minimum resistance of $250\ \Omega$ between the handheld terminal and transmitter power supply. If this is less than $250\ \Omega$, additional resistance needs to be incorporated in order to enable communication.

Model 266GST Gauge Model 266AST Absolute

Fieldbus versions

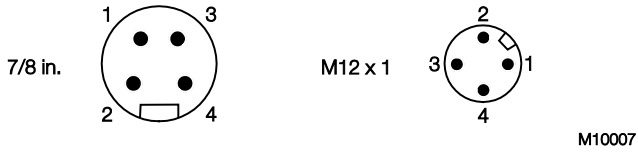


Fig. 5: Plug connector - fieldbus versions

Pin assignment (plug)		
Pin number	FOUNDATION fieldbus	PROFIBUS PA
1	DATA -	DATA +
2	DATA +	GROUND
3	SHIELD	DATA -
4	GROUND	SHIELD

Delivery scope: Plug connectors supplied loose without mating plug (female connector)

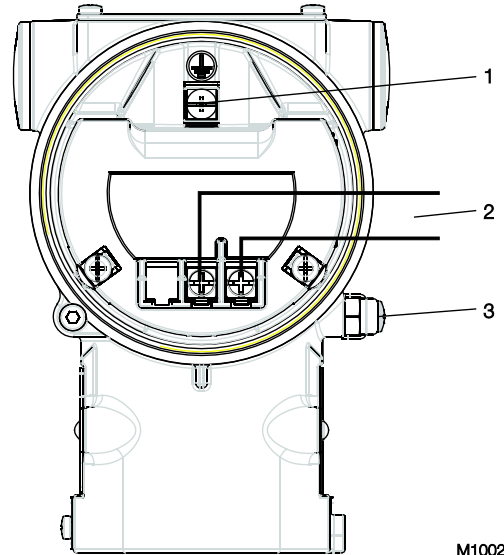


Fig. 6: Standard terminal strip
1 Internal ground terminal | 2 Fieldbus line (regardless of polarity) | 3 External ground terminal

HART version

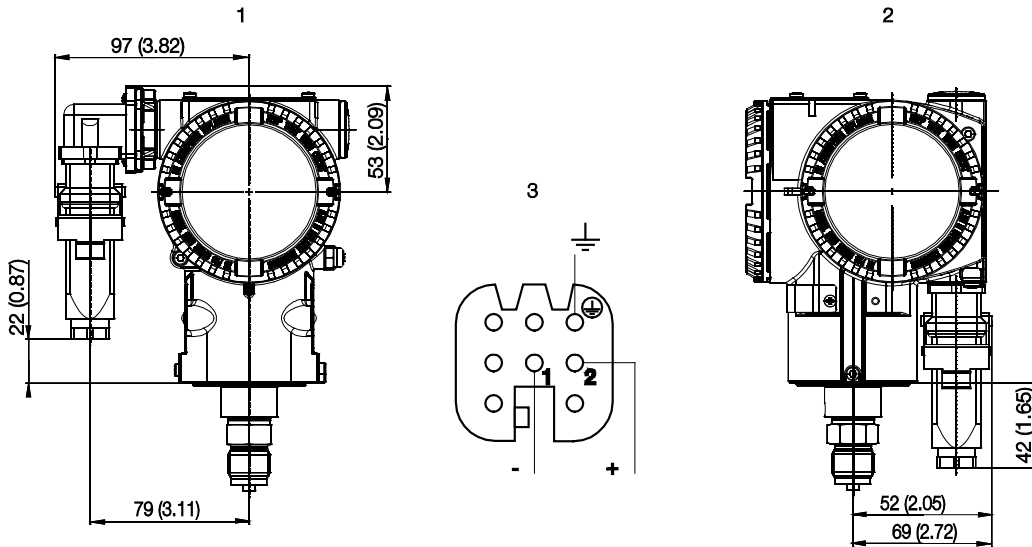


Fig. 7: Harting Han connection - HART version

1 Barrel housing | 2 DIN housing | 3 Harting Han 8D (8U) socket insert for mating plug supplied (view of sockets)

M10028

Ordering information

Main ordering information for model 266GST gauge pressure transmitter

Select one or more characters from each category and enter the complete catalog number.

Enter one or more codes for additional order information if you are purchasing optional extras for each transmitter.

Base model – Characters 1 through 6			266GST	X	X	X	X	X	X
Gauge pressure transmitter – Base accuracy 0.04 %									
Sensor measuring range limits / overpressure limit – Character 7									Continued see next page
0.2 and 6 kPa	(2 and 60 mbar, 0.8 and 24 in. H ₂ O)	1 MPa (10 bar, 145 psi)		C					
0.4 and 40 kPa	(4 and 400 mbar, 1.6 and 160 in. H ₂ O)	1 MPa (10 bar, 145 psi)		F					
2.5 and 250 kPa	(25 and 2500 mbar, 10 and 1000 in. H ₂ O)	3 MPa (30 bar, 435 psi)		L					
10 and 1000 kPa	(0.1 and 10 bar, 1.45 and 145 psi)	6 MPa (60 bar, 870 psi)		D					
30 and 3000 kPa	(0.3 and 30 bar, 4.35 and 435 psi)	6 MPa (60 bar, 870 psi)		U					
100 and 10,000 kPa	(1 and 100 bar, 14.5 and 1450 psi)	30 MPa (300 bar, 4350 psi)		R					
600 and 60,000 kPa	(6 and 600 bar, 87 and 8700 psi)	90 MPa (900 bar, 13,050 psi)		V					
Diaphragm material / filling fluid – Character 8									
Stainless steel AISI 316L (1.4435)	Silicone oil (Only available with flush diaphragm)	NACE						S	
Hastelloy C-276	Silicone oil, NACE							K	
Stainless steel AISI 316L (1.4435)	Fluorocarbon - Galden								
(Only available with flush diaphragm, suited to oxygen applications)									
Hastelloy C-276	Fluorocarbon - Galden (suited to oxygen applications)	NACE						A	
Hastelloy C-276 gold plated	Silicone oil	NACE (Note: 1)						F	
Hastelloy C-276 gold plated	Fluorocarbon - Galden (suited to oxygen applications)	NACE (Note: 1)						G	
Stainless steel AISI 316L (1.4435)	White oil (FDA) (Only available with flush diaphragm)	NACE						E	
Hastelloy C-276	White oil (FDA)	NACE						6	
								Z	
Process connection material / type – Character 9									
Stainless steel AISI 316L (1.4404)	1/2-14 NPT internal thread	NACE						B	
Stainless steel AISI 316L (1.4404)	DIN EN 837-1 G 1/2 B	NACE						P	
Stainless steel AISI 316L (1.4404)	G 1/2 in. flush diaphragm	NACE (Note: 1)						S	
Stainless steel AISI 316L (1.4404)	1/2-14 NPT male thread	NACE						T	
Stainless steel AISI 316L (1.4404)	DIN EN 837-1 G 1/2 B (HP)	NACE (Note: 1)						U	
Stainless steel AISI 316L (1.4404)	For installation in ball valve	NACE (Note: 2)						V	
Hastelloy C-276	1/2-14 NPT internal thread	NACE						E	
Hastelloy C-276	DIN EN 837-1 G 1/2 B	NACE						D	
Hastelloy C-276	1/2-14 NPT male thread	NACE						K	

Model 266GST Gauge

Model 266AST Absolute

Main ordering information for model 266GST gauge pressure transmitter			X	X	X
Gasket material – Character 10					
None			N		
Housing material / electrical connection – Character 11					
Aluminum alloy (barrel type)	1/2-14 NPT				A
Aluminum alloy (barrel type)	M20 x 1.5				B
Aluminum alloy (barrel type)	Harting Han plug connector	(for standard			E
Aluminum alloy (barrel type)	Fieldbus plug connector	(for standard			G
Stainless steel (barrel type)	1/2-14 NPT				S
Stainless steel (barrel type)	M20 x 1.5				T
Aluminum alloy (DIN type)	M20 x 1.5				J
Aluminum alloy (DIN type)	Harting Han plug connector (for standard applications)	(Note: 3)			K
Aluminum alloy (DIN type)	Fieldbus plug connector (for standard applications)	(Note: 3)			W
Stainless steel (barrel type)	Fieldbus plug connector (for standard applications)	(Note: 3)			Z
Output – Character 12					
HART digital communication and 4 ... 20 mA (no additional options)					H
HART digital communication and 4 ... 20 mA (product selection with additional order code)					1
PROFIBUS PA (no additional options)					P
PROFIBUS PA (product selection with additional order code)					2
FOUNDATION Fieldbus (no additional options)					F
FOUNDATION Fieldbus (product selection with additional order code)					3
HART digital communication and 4 ... 20 mA, SIL2 and SIL3-certified in acc. with IEC 61508 (no additional options)					T
HART digital communication and 4 ... 20 mA, SIL2 and SIL3-certified in acc. with IEC 61508 (product selection with additional order code)					8

Additional ordering information for model 266GST

All required options have to be entered by adding a one-digit or two-digit code or codes after the main order number.

	XX	XX	XX	XX
Accuracy				
Base accuracy 0.025 % (Note: 4)	D1			
Explosion protection				
ATEX II Category 1 GD, Intrinsic safety Ex ia			E1	
ATEX II Category 1/2 GD, Flameproof (enclosure) Ex d (Note: 1)			E2	
ATEX II Category 3 GD, Energy-limited Ex nL			E3	
FM approval (Canada, CSA) Class I, II, Div 1, 2, Group A to F (XP, IS, NI) (Only available with electrical connection 1/2-14 NPT or M20) (Note: 1)			E4	
FM approval (USA) Class I, II, Div 1, 2, Group A to F (XP, IS, NI) (Only available with electrical connection 1/2-14 NPT or M20) (Note: 1)			E6	
FM approvals (USA and Canada) Intrinsic safety			EA	
FM approvals (USA and Canada) Explosion-proof (Note: 1)			EB	
FM approvals (USA and Canada) Non-incendive			EC	
ATEX + FM + CSA (Only available with electrical connection 1/2-14 NPT or M20) (Note: 1)			EN	
ATEX II 1 GD, Ex ia + ATEX II 1/2 GD, Ex d and ATEX II 3 GD, Ex nL (Note: 1)			EW	
IECEx II Category 1 GD, Intrinsic safety Ex ia			E8	
IECEx II Category 1/2 GD, Flameproof (enclosure) Ex d (Note: 1)			E9	
IECEx II Category 3 GD, Energy-limited Ex nL			ER	
NEPSI Intrinsic safety Ex ia			EY	
NEPSI Flameproof (enclosure) Ex d (Note: 1)			EZ	
NEPSI type "N" Ex nL			ES	
NEPSI combined - Intrinsic safety and flameproof (enclosure) (Note: 1)			EP	
NEPSI combined - Intrinsic safety, flameproof (enclosure), and type "N" (Note: 1)			EQ	
Explosion protection (supplement)				
GOST (Russia) Ex ia				W1
GOST (Russia) Ex d (Note: 1)				W2
GOST (Kazakhstan) Ex ia				W3
GOST (Kazakhstan) Ex d (Note: 1)				W4
Integral LCD display				
With integral LCD display				L1
With integral touch screen LCD display (TTG)				L5

Model 266GST Gauge

Model 266AST Absolute

Additional ordering information for model 266GST	XX	XX	XX	XX	XX	XX	XX	XX
Mounting bracket / material								
For horizontal or vertical pipe and wall mounting / carbon steel	B6							
For horizontal or vertical pipe and wall mounting / AISI 316 (1.4401)	B7							
Overvoltage protection								
With overvoltage protection (transient protector)		S2						
Language of documentation								
German			M1					
Italian			M2					
Spanish			M3					
French			M4					
English			M5					
Swedish			M7					
Polish			M9					
Portuguese			MA					
Turkish			MT					
Language for labels and tags								
German				T1				
Italian				T2				
Spanish				T3				
French				T4				
Additional tag plate								
Tag plate made from stainless steel (4 lines with 30 characters each)						I1		
Measuring point tag laser-printed onto stainless steel plate						I2		
Configuration								
Standard pressure = in. H ₂ O / psi at 68 °F							N2	
Standard pressure = in. H ₂ O / psi at 39.2 °F							N3	
Standard pressure = in. H ₂ O / psi at 20 °C							N4	
Standard pressure = in. H ₂ O / psi at 4 °C							N5	
Customer-specific							N6	
Special applications								
Cleaned for oxygen measurement (O ₂), P _{max} = 21 MPa (210 bar, 3045 psi) or overpressure limit (lower value), T _{max} = 60 °C / 140 °F (Only available with fluorocarbon filling)								P1
Hydrogen measurement (Fluid Film)								P2
Certificates								
Inspection certificate 3.1 to EN 10204 for calibration								C1
Inspection certificate 3.1 to EN 10204 for cleaning stage								C3
Inspection certificate 3.1 to EN 10204 for helium leakage test of measuring chamber								C4
Inspection certificate 3.1 to EN 10204 for pressure test								C5
Declaration of compliance 2.1 to EN 10204 for device design								C6
Calibration log separate								CC
With device data log								CG
PMI test of wetted parts								CT

Additional ordering information for model 266GST		XX	XX	XX	XX
Approvals					
GOST Russia - without Ex		Y1			
GOST Kazakhstan - without Ex		Y2			
GOST Ukraine - without Ex		Y3			
GOST Belarus - without Ex		Y4			
Material certification					
Declaration of compliance 2.1 to EN 10204 for wetted parts			H1		
Inspection certificate 3.1 to EN 10204 for pressure-bearing parts and wetted parts, with analysis reports as evidence of material used	(Note: 5)		H3		
Test report 2.2 to EN 10204 for pressure-bearing parts and wetted parts			H4		
Plug connector					
Fieldbus 7/8 in. (recommended for FOUNDATION Fieldbus, supplied loose, without mating plug)					U1
Fieldbus M12 x 1 (recommended for PROFIBUS PA, supplied loose, without mating plug)					U2
Harting Han 8D (8U), straight entry					U3
Harting Han 8D (8U), angle entry					U4
Harting Han 7D					U5
Harting HAN 8D (8U), for four-wire accessory unit					U6
Harting HAN 7D, for four-wire accessory unit					U7
With cable gland M20 x 1.5					U8
Housing accessories					
With mounted (valve) manifold (surcharge for mounting, not for (valve) manifold)					A1
Four-wire accessory unit: power supply 24 V UC / output signal 0 ... 20 mA	(Note: 6)				A4
Four-wire accessory unit: power supply 24 V UC / output signal 4 ... 20 mA	(Note: 6)				A6
Four-wire accessory unit: power supply 230 V AC / output signal 0 ... 20 mA	(Note: 6)				A5
Four-wire accessory unit: power supply 230 V AC / output signal 4 ... 20 mA	(Note: 6)				A7

- Note 1: Not available with measuring range limits Code C, F
Note 2: Not available with measuring range limits Code C, F, V
Note 3: Select plug connector with additional order code
Note 4: Only available with measuring range limits Code L, D, U, R
Note 5: Small parts with declaration of compliance according to EN 10204
Note 6: Only available with housing material / electrical connection code B (barrel housing)

Standard delivery scope (changes possible with additional ordering code)

- For standard applications (without explosion protection)
- No display, no mounting bracket, no overvoltage protection
- Multilingual short-form operating instruction and English labeling
- Configuration with kPa and °C units
- No test, inspection, or material certificates

Unless otherwise specified prior to manufacture, the customer shall be responsible for selecting suitable wetted parts and an appropriate filling fluid in order to ensure compatibility with the measuring fluid.

Compliance with the NACE regulation is based on recommendations MR0175 / ISO 15156. Additionally, stainless steel AISI 316, AISI 316L and Hastelloy C-276 automatically meet the criteria of MR0103, provided that they also meet the criteria of MR0175.

Model 266GST Gauge

Model 266AST Absolute

Main ordering information for model 266AST absolute pressure transmitter

Select one or more characters from each category and enter the complete catalog number.

Enter one or more codes for additional order information if you are purchasing optional extras for each transmitter.

Base model – Characters 1 through 6			266AST	X	X	X	X	X	X
Absolute pressure transmitter – Base accuracy 0.04 %									
Sensor measuring range limits / overpressure limit – Character 7									Continued see next page
0.3 and 6 kPa	(3 and 60 mbar, 1.2 and 24 in. H ₂ O, 2.25 and 45 mm Hg)	1 MPa (10 bar, 145 psi)		C					
2 and 40 kPa	(20 and 400 mbar, 15 and 300 mm Hg)	1 MPa (10 bar, 145 psi)		F					
12.5 and 250 kPa	(125 and 2500 mbar, 98.3 and 1875 mm Hg)	3 MPa (30 bar, 435 psi)		L					
50 and 1000 kPa	(0.5 and 10 bar, 7.25 and 145 psi)	6 MPa (60 bar, 870 psi)		D					
150 and 3000 kPa	(1.5 and 30 bar, 21.7 and 435 psi)	6 MPa (60 bar, 870 psi)		U					
500 and 10,000 kPa	(5 and 100 bar, 72.5 and 1450 psi)	30 MPa (300 bar, 4350 psi)		R					
Diaphragm material / filling fluid – Character 8									
Stainless steel AISI 316L (1.4435)	Silicone oil (Only available with flush diaphragm)	NACE					S		
Hastelloy C-276	Silicone oil, NACE						K		
Stainless steel AISI 316L (1.4435)	Fluorocarbon - Galden								
(Only available with flush diaphragm, suited to oxygen applications)		NACE					A		
Hastelloy C-276	Fluorocarbon - Galden (suited to oxygen applications)	NACE					F		
Hastelloy C-276 gold plated	Silicone oil	NACE (Note: 1)					G		
Hastelloy C-276 gold plated	Fluorocarbon - Galden (suited to oxygen applications)	NACE (Note: 1)					E		
Stainless steel AISI 316L (1.4435)	White oil (FDA) (Only available with flush diaphragm)	NACE					6		
Hastelloy C-276	White oil (FDA)	NACE					Z		
Process connection material / type – Character 9									
Stainless steel AISI 316L (1.4404)	1/2-14 NPT internal thread	NACE					B		
Stainless steel AISI 316L (1.4404)	DIN EN 837-1 G 1/2 B	NACE					P		
Stainless steel AISI 316L (1.4404)	G 1/2 in. flush diaphragm	NACE (Note: 1)					S		
Stainless steel AISI 316L (1.4404)	1/2-14 NPT male thread	NACE					T		
Hastelloy C-276	1/2-14 NPT internal thread	NACE					E		
Hastelloy C-276	DIN EN 837-1 G 1/2 B	NACE					D		
Hastelloy C-276	1/2-14 NPT male thread	NACE					K		

Main ordering information for model 266AST absolute pressure transmitter				X	X	X
Gasket material – Character 10						
None				N		
Housing material / electrical connection – Character 11						
Aluminum alloy (barrel type)	1/2-14 NPT				A	
Aluminum alloy (barrel type)	M20 x 1.5				B	
Aluminum alloy (barrel type)	Harting Han plug connector	(for standard applications)	(Note: 2)		E	
Aluminum alloy (barrel type)	Fieldbus plug connector	(for standard applications)	(Note: 2)		G	
Stainless steel (barrel type)	1/2-14 NPT				S	
Stainless steel (barrel type)	M20 x 1.5				T	
Aluminum alloy (DIN type)	M20 x 1.5				J	
Aluminum alloy (DIN type)	Harting Han plug connector	(for standard applications)	(Note: 2)		K	
Aluminum alloy (DIN type)	Fieldbus plug connector	(for standard applications)	(Note: 2)		W	
Stainless steel (barrel type)	Fieldbus plug connector	(for standard applications)	(Note: 2)		Z	
Output – Character 12						
HART digital communication and 4 ... 20 mA (no additional options)						H
HART digital communication and 4 ... 20 mA (product selection with additional order code)						1
PROFIBUS PA (no additional options)						P
PROFIBUS PA (product selection with additional order code)						2
FOUNDATION Fieldbus (no additional options)						F
FOUNDATION Fieldbus (product selection with additional order code)						3
HART digital communication and 4 ... 20 mA, SIL2 and SIL3-certified in acc. with IEC 61508 (no additional options)						T
HART digital communication and 4 ... 20 mA, SIL2 and SIL3-certified in acc. with IEC 61508 (product selection with additional order code)						8

Model 266GST Gauge

Model 266AST Absolute

Additional ordering information for model 266AST

All required options have to be entered by adding a one-digit or two-digit code or codes after the main order number.

	XX	XX	XX
Explosion protection			
ATEX II Category 1 GD, Intrinsic safety Ex ia	E1		
ATEX II Category 1/2 GD, Flameproof (enclosure) Ex d (Note: 1)	E2		
ATEX II Category 3 GD, Energy-limited Ex nL	E3		
FM approval (Canada, CSA) Class I, II, Div 1, 2, Group A to F (XP, IS, NI) (Only available with electrical connection 1/2-14 NPT or M20) (Note: 1)	E4		
FM approval (USA) Class I, II, Div 1, 2, Group A to F (XP, IS, NI) (Only available with electrical connection 1/2-14 NPT or M20) (Note: 1)	E6		
FM approvals (USA and Canada) Intrinsic safety (Only available with electrical connection 1/2-14 NPT or M20) (Note: 1)	EA		
FM approvals (USA and Canada) Explosion-proof (Only available with electrical connection 1/2-14 NPT or M20) (Note: 1)	EB		
FM approvals (USA and Canada) Non-incendive (Only available with electrical connection 1/2-14 NPT or M20) (Note: 1)	EC		
ATEX + FM + CSA (Only available with electrical connection 1/2-14 NPT or M20) (Note: 1)	EN		
ATEX II 1 GD, Ex ia + ATEX II 1/2 GD, Ex d and ATEX II 3 GD, Ex nL (Note: 1)	EW		
IECEX II Category 1 GD, Intrinsic safety Ex ia	E8		
IECEX II Category 1/2 GD, Flameproof (enclosure) Ex d (Note: 1)	E9		
IECEX II Category 3 GD, Energy-limited Ex nL	ER		
NEPSI Intrinsic safety Ex ia	EY		
NEPSI Flameproof (enclosure) Ex d (Note: 1)	EZ		
NEPSI type "N" Ex nL	ES		
NEPSI combined - Intrinsic safety and flameproof (enclosure) (Note: 1)	EP		
NEPSI combined - Intrinsic safety, flameproof (enclosure), and type "N" (Note: 1)	EQ		
Explosion protection (supplement)			
GOST (Russia) Ex ia		W1	
GOST (Russia) Ex d (Note: 1)		W2	
GOST (Kazakhstan) Ex ia		W3	
GOST (Kazakhstan) Ex d (Note: 1)		W4	
Integral LCD display			
With integral LCD display			L1
With integral touch screen LCD display (TTG)			L5

Additional ordering information for model 266AST	XX	XX	XX	XX	XX	XX	XX	XX
Mounting bracket / material								
For horizontal or vertical pipe and wall mounting / carbon steel	B6							
For horizontal or vertical pipe and wall mounting / AISI 316 (1.4401)	B7							
Overvoltage protection								
With overvoltage protection (transient protector)		S2						
Language of documentation								
German			M1					
Italian			M2					
Spanish			M3					
French			M4					
English			M5					
Swedish			M7					
Polish			M9					
Portuguese			MA					
Turkish			MT					
Language for labels and tags								
German				T1				
Italian				T2				
Spanish				T3				
French				T4				
Additional tag plate								
Tag plate made from stainless steel (4 lines with 30 characters each)					I1			
Measuring point tag laser-printed onto stainless steel plate					I2			
Configuration								
Standard pressure = in. H2O / psi at 68 °F						N2		
Standard pressure = in. H2O / psi at 39.2 °F						N3		
Standard pressure = in. H2O / psi at 20 °C						N4		
Standard pressure = in. H2O / psi at 4 °C						N5		
Customer-specific						N6		
Special applications								
Cleaned for oxygen measurement (O2), Pmax = 21 MPa (210 bar, 3045 psi) or overpressure limit (lower value), Tmax = 60 °C / 140 °F (Only available with fluorocarbon filling)								P1
Hydrogen measurement (Fluid Film)								P2
Certificates								
Inspection certificate 3.1 to EN 10204 for calibration								C1
Inspection certificate 3.1 to EN 10204 for cleaning stage								C3
Inspection certificate 3.1 to EN 10204 for helium leakage test of measuring chamber								C4
Inspection certificate 3.1 to EN 10204 for pressure test								C5
Declaration of compliance 2.1 to EN 10204 for device design								C6
Calibration log separate								CC
With device data log								CG
PMI test of wetted parts								CT

Model 266GST Gauge

Model 266AST Absolute

Additional ordering information for model 266AST		XX	XX	XX	XX
Approvals					
GOST Russia - without Ex		Y1			
GOST Kazakhstan - without Ex		Y2			
GOST Ukraine - without Ex		Y3			
GOST Belarus - without Ex		Y4			
Material certification					
Declaration of compliance 2.1 to EN 10204 for wetted parts			H1		
Inspection certificate 3.1 to EN 10204 for pressure-bearing parts and wetted parts, with analysis reports as evidence of material used	(Note: 3)		H3		
Test report 2.2 to EN 10204 for pressure-bearing parts and wetted parts			H4		
Plug connector					
Fieldbus 7/8 in. (recommended for FOUNDATION Fieldbus, supplied loose, without mating plug)					U1
Fieldbus M12 x 1 (recommended for PROFIBUS PA, supplied loose, without mating plug)					U2
Harting Han 8D (8U), straight entry					U3
Harting Han 8D (8U), angle entry					U4
Harting Han 7D					U5
Harting HAN 8D (8U), for four-wire accessory unit					U6
Harting HAN 7D, for four-wire accessory unit					U7
With cable gland M20 x 1.5					U8
Housing accessories					
With mounted (valve) manifold (surcharge for mounting, not for (valve) manifold)					A1
Four-wire accessory unit: power supply 24 V UC / output signal 0 ... 20 mA	(Note: 4)				A4
Four-wire accessory unit: power supply 24 V UC / output signal 4 ... 20 mA	(Note: 4)				A6
Four-wire accessory unit: power supply 230 V AC / output signal 0 ... 20 mA	(Note: 4)				A5
Four-wire accessory unit: power supply 230 V AC / output signal 4 ... 20 mA	(Note: 4)				A7

- Note 1: Not available with measuring range limits Code C, F
 Note 2: Select plug connector with additional order code
 Note 3: Small parts with declaration of compliance according to EN 10204
 Note 4: Only available with housing material / electrical connection code B (barrel housing)

Standard delivery scope (changes possible with additional ordering code)

- For standard applications (without explosion protection)
- No display, no mounting bracket, no overvoltage protection
- Multilingual short-form operating instruction and English labeling
- Configuration with kPa and °C units
- No test, inspection, or material certificates

Unless otherwise specified prior to manufacture, the customer shall be responsible for selecting suitable wetted parts and an appropriate filling fluid in order to ensure compatibility with the measuring fluid.

Compliance with the NACE regulation is based on recommendations MR0175 / ISO 15156. Additionally, stainless steel AISI 316, AISI 316L and Hastelloy C-276 automatically meet the criteria of MR0103, provided that they also meet the criteria of MR0175.

Trademarks

- ™ Hastelloy C-276 is a Cabot Corporation trademark
 ™ Galden is a Montefluos trademark

Notes

Notes

Notes

Contact us

ABB Ltd.

Process Automation

Howard Road, St. Neots
Cambridgeshire, PE19 8EU
UK

Tel: +44 (0)1480 475321

Fax: +44 (0)1480 217948

ABB Inc.

Process Automation

125 E. County Line Road
Warminster PA 18974
USA

Tel: +1 215 674 6000

Fax: +1 215 674 7183

ABB Automation Products GmbH

Process Automation

Schillerstr. 72
32425 Minden
Germany

Tel: +49 571 830-0

Fax: +49 571 830-1806

www.abb.com/pressure

Note

We reserve the right to make technical changes or modify the contents of this document without prior notice. With regard to purchase orders, the agreed particulars shall prevail. ABB does not accept any responsibility whatsoever for potential errors or possible lack of information in this document.

We reserve all rights in this document and in the subject matter and illustrations contained therein. Any reproduction, disclosure to third parties or utilization of its contents - in whole or in parts - is forbidden without prior written consent of ABB.

Copyright© 2014 ABB

All rights reserved

3KXP200011R1001



Sales



Service



Software