

ARCH AQF240U AC-DC Switching Power Supply Datasheet

<http://www.manuallib.com/arch/aqf240u-ac-dc-switching-power-supply-datasheet.html>

KEY FEATURES

- .. U Bracket Switching Power Supply
- .. Universal Input: 90-264 VAC
- .. With P.F.C. Function, PF>0.95
- .. Free Air Convection
- .. High Efficiency up to 93%
- .. RoHS Compliant Design
- .. Ultra Compact Size: 6.0 x 4.18 x 1.38 Inches
- .. 3-Years Product Warranty

ManualLib.com collects and classifies the global product instruction manuals to help users access anytime and anywhere, helping users make better use of products.

<http://www.manuallib.com>

KEY FEATURES

- U Bracket Switching Power Supply
- Universal Input: 90-264 VAC
- With P.F.C. Function, PF>0.95
- Free Air Convection
- High Efficiency up to 93%
- RoHS Compliant Design
- Ultra Compact Size: 6.0 x 4.18 x 1.38 Inches
- 3-Years Product Warranty



ELECTRICAL SPECIFICATIONS

Model No.	AQF240U-5S	AQF240U-12S	AQF240U-15S	AQF240U-24S	AQF240U-28S	AQF240U-32S	AQF240U-48S	
Max Output Wattage (W)	180W	240W						
Input	Voltage							90-264 VAC or 120-370 VDC
	Frequency (Hz)							47-63 Hz
	Current (Full load)							<3.0 A max. (115 VAC) / <1.5 A max. (230 VAC)
	Inrush Current (<2ms)							< 30 A max. (115 VAC) / < 60 A max. (230 VAC)
	Leakage Current							< 0.5 mA max.
	Power Factor							PF>0.98 (115 VAC) / PF>0.95 (230 VAC) at Full Load
Output	Voltage (V.DC.)							5V 12V 15V 24V 28V 32V 48V
	Voltage Accuracy							±2%
	Current (Convection) (A) max							36 20 16 10 8.57 7.5 5
	Line Regulation							±1%
	Load Regulation							±1%
	Minimum Load							5% 1%
	Maximum Capacitive Load							470-23,000µF depending on model
	Ripple & Noise (max.)							150mVp-p 120mVp-p 200mVp-p
	Efficiency (typ.)							87% 90% 90% 92% 92% 92% 93%
	Hold-up Time							13 ms min.
Protection	Switching Frequency							90 kHz 100 kHz
	Over Power Protection							Auto recovery
	Over Voltage Protection							Latch Off
Isolation	Short Circuit Protection							Latch Off
	Input-Output (V.AC)							4000V
	Input-FG (V.AC)							2000V
Environment	Output-FG (V.AC)							500V
	Operating Temperature							-10°C...+70°C (with derating)
	Storage Temperature							-25°C...+85°C
	Temperature Coefficient							±0.03%/°C (0~50°C)
	Humidity							95% RH
	MTBF							>50,000 h @ 25°C (MIL-HDBK-217F)
Physical	Vibration							10~500Hz, 2G 10min./1cycle, 60min. each along X, Y, Z axes.
	Dimension (L x W x H)							5S: 6.0 x 4.18 x 1.46 Inches (150.0 x 106.0 x 37.0 mm) Tolerance ±0.5 mm Others: 6.0 x 4.18 x 1.38 Inches (150.0 x 106.0 x 35.0 mm) Tolerance ±0.5 mm
	Weight							580 g
Safety	Cooling Method							Free convection
	Agency Approvals							CE, UL60950(except 5S), CB(except 5S)
EMC	EMI (Conducted & Radiated Emission)							EN 55022 class B
	EMS (Noise Immunity)							EN 55024

1.All specifications valid at normal input voltage, full load and +25°C after warm-up time unless otherwise stated.

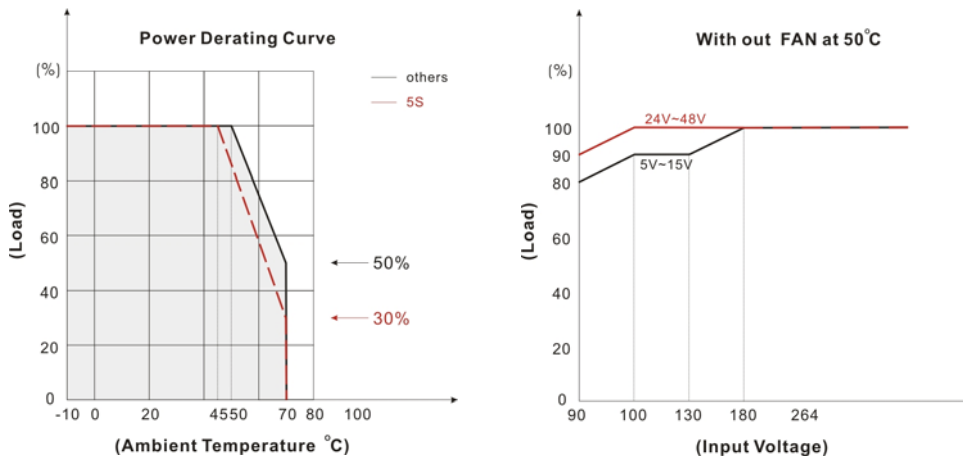
2.Ripple & Noise are measured at 20MHz of bandwidth with 0.1UF & 47UF parallel capacitor.

<http://www.archcorp.com.tw>

TEL: +886-2-26989508 FAX: +886-2-26981319

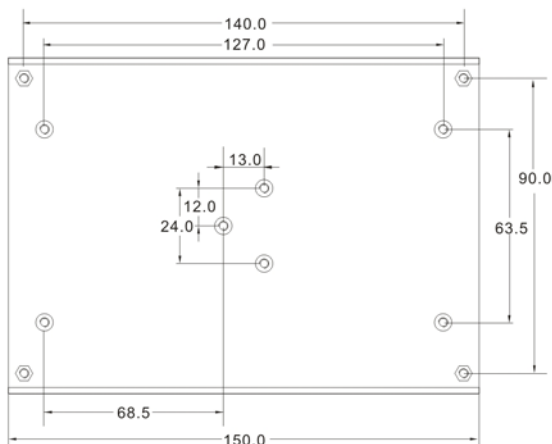
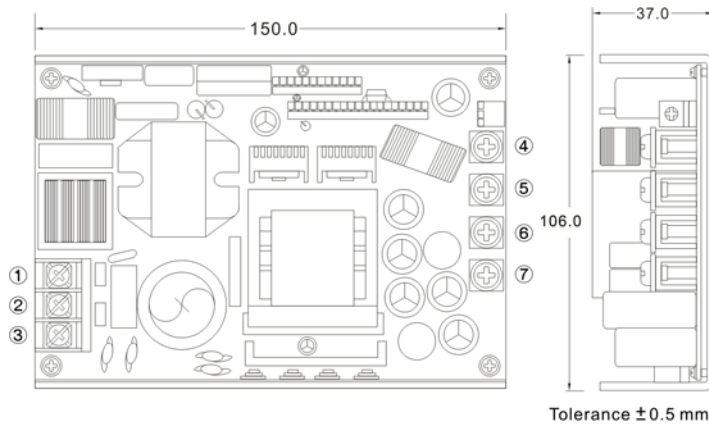
-1-

DERATING



MECHANICAL DIMENSION (Top View)

Standard (5S)



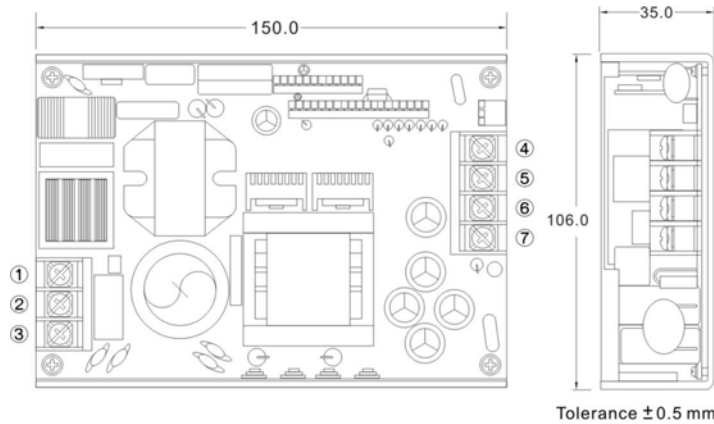
PIN#	SINGLE
1	AC IN (L)
2	AC IN (N)
3	FG
4	+DC OUT
5	+DC OUT
6	-DC OUT
7	-DC OUT

ASSEMBLY INSTRUCTIONS

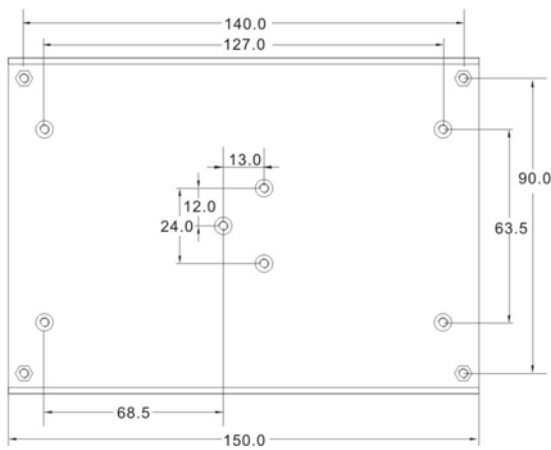
*U Case T=2.0mm

Customer screws into the length of the case no higher than 0.5mm
(Namely screw length for load plate thickness plus 2.5mm)

Standard (12S、15S、24S、28S、32S、48S)



Tolerance ± 0.5 mm



PIN#	SINGLE
1	AC IN (L)
2	AC IN (N)
3	FG
4	+DC OUT
5	+DC OUT
6	-DC OUT
7	-DC OUT

ASSEMBLY INSTRUCTIONS

*U Case T=2.0mm

Customer screws into the length of the case no higher than 0.5mm
(Namely screw length for load plate thickness plus 2.5mm)

REGULATING

Single Output

