

Monitor mount for 2016 E-series and E2417H Dell monitors

Installation guide



Notes, cautions, and warnings

 **NOTE:** A NOTE indicates important information that helps you make better use of your product.

 **CAUTION:** A CAUTION indicates either potential damage to hardware or loss of data and tells you how to avoid the problem.

 **WARNING:** A WARNING indicates a potential for property damage, personal injury, or death.

Copyright © 2017 Dell Inc. or its subsidiaries. All rights reserved. Dell, EMC, Dell EMC and other trademarks are trademarks of Dell Inc. or its subsidiaries. Other trademarks may be trademarks of their respective owners.

Contents

1 Supported clients and monitors.....	4
2 Included in the tool kit.....	5
3 Mounting the client.....	6
4 Mounting Wyse 3010, Wyse 3020, Wyse 3030, Wyse 3030LT, and Wyse 5030 clients.....	10



Supported clients and monitors

The monitor mount for 2016 E-series and E2417H monitors is designed to work with the following clients and monitors:

NOTE: The mount is designed to work with Dell monitors and clients listed in this section. The mount should not be used with other Dell or third party monitors or clients.

Supported clients are:

- Dell Wyse 3010 (Tx0) thin client
- Dell Wyse 3020 (Tx0D) thin client
- Dell Wyse 3030 (N03D) thin client
- Dell Wyse 3030LT (N06D) thin client
- Dell Wyse 5010 (Dx0D) thin client
- Dell Wyse 5020 (DxoQ) thin client
- Dell Wyse 5030 (PxN) PColP zero client
- Dell Wyse 5060 (N07D) thin client

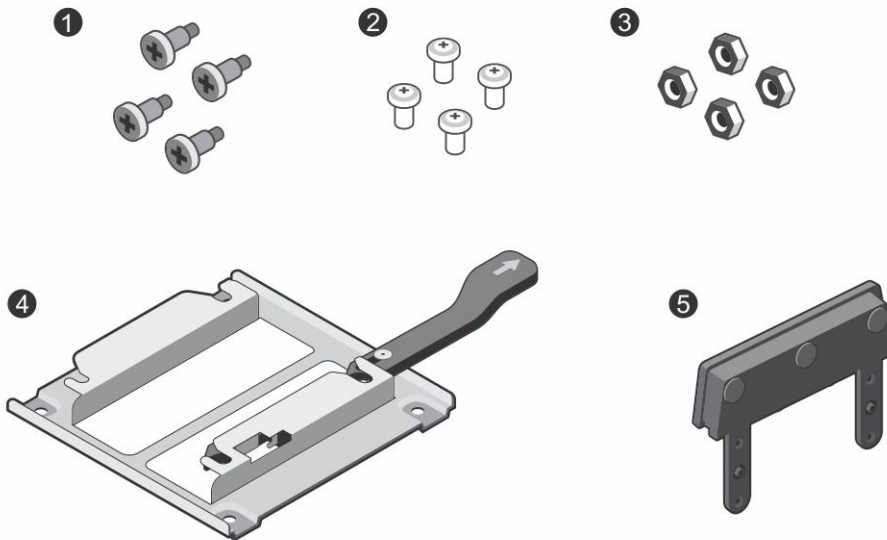
Supported monitors are:

- E1916H
- E1916HV
- E2016
- E2016H
- E2016HV
- E2318H
- E2216H
- E2216HV
- E2316H
- E2416H
- E2417H

Included in the tool kit

Parts provided in the tool kit include:

- 1 Four shoulder screws (M4x0.7-6)
- 2 Four screws
- 3 Four hexagonal nuts (M4x0.7)
- 4 One monitor mount for E-series/E2417H monitors
- 5 One monitor base extender



NOTE:

Dell Wyse 3010 client requires horizontal stand 452-BCMF with the E-series mount.

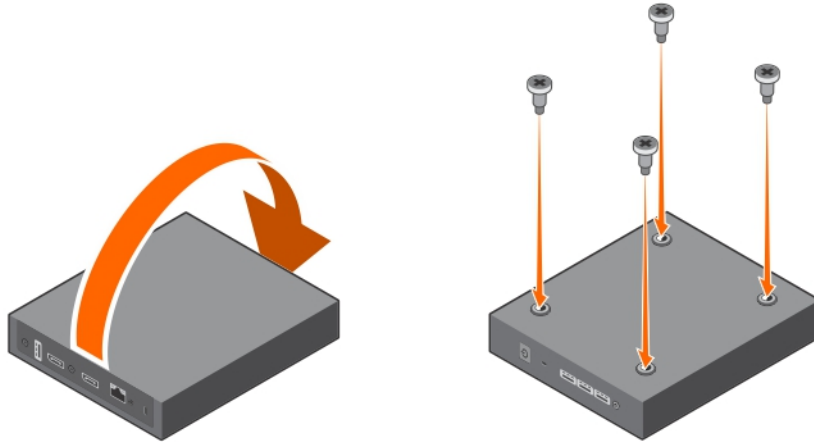
Dell Wyse 3020 and 5030 clients require horizontal stand 452-BCMh with E-series mount.

Dell Wyse 3030 and 3030LT clients require horizontal stand 452-BCMG with E-series mount.

Mounting the client

Use the following instructions to attach the client to the E-series mount:

- 1 **Preparing the client**—Use a Phillips-head screwdriver to remove the filler screws from the side of the client and replace them with

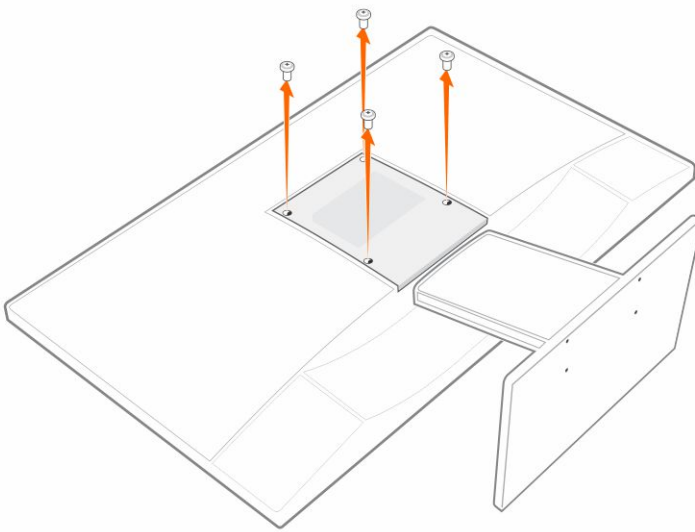
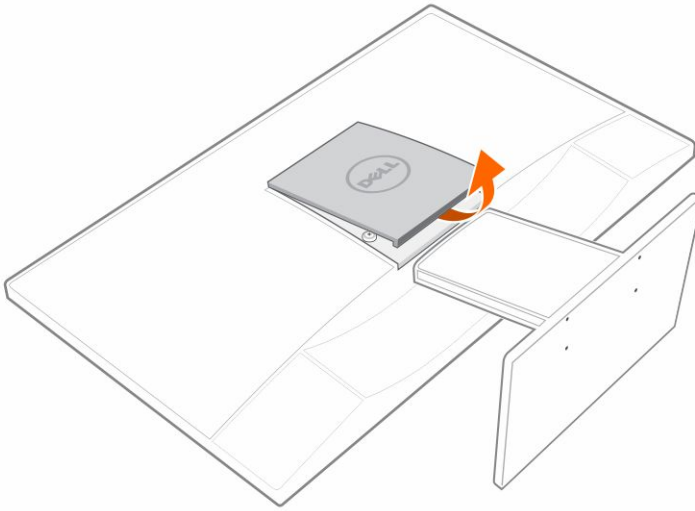


the shoulder screws.

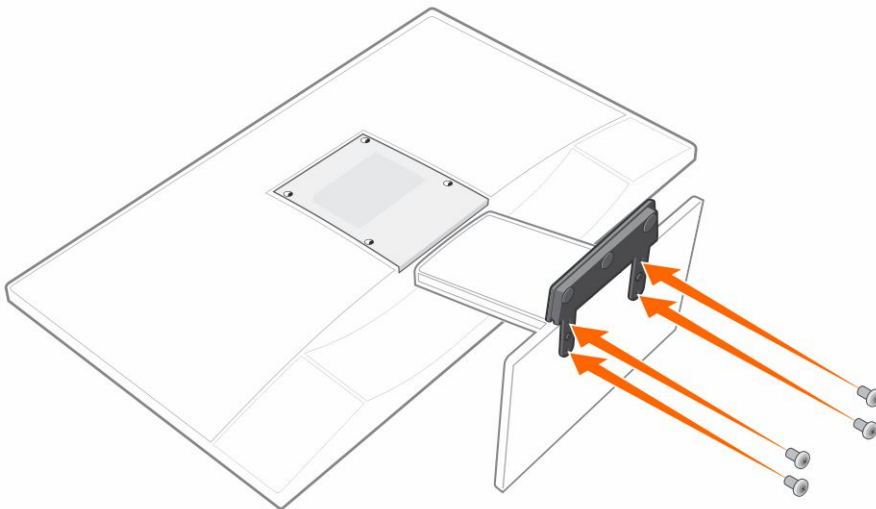
- 2 **Removing the cover plates and screws from the monitor.**

- Place the monitor panel face down on a soft cloth or cushion.
- Remove cover plate if present.
- Remove the monitor screws from the back of the monitor, and use them when you proceed with installation later.

NOTE: During installation, position the monitor with the base of the stand hanging over the edge of the table.



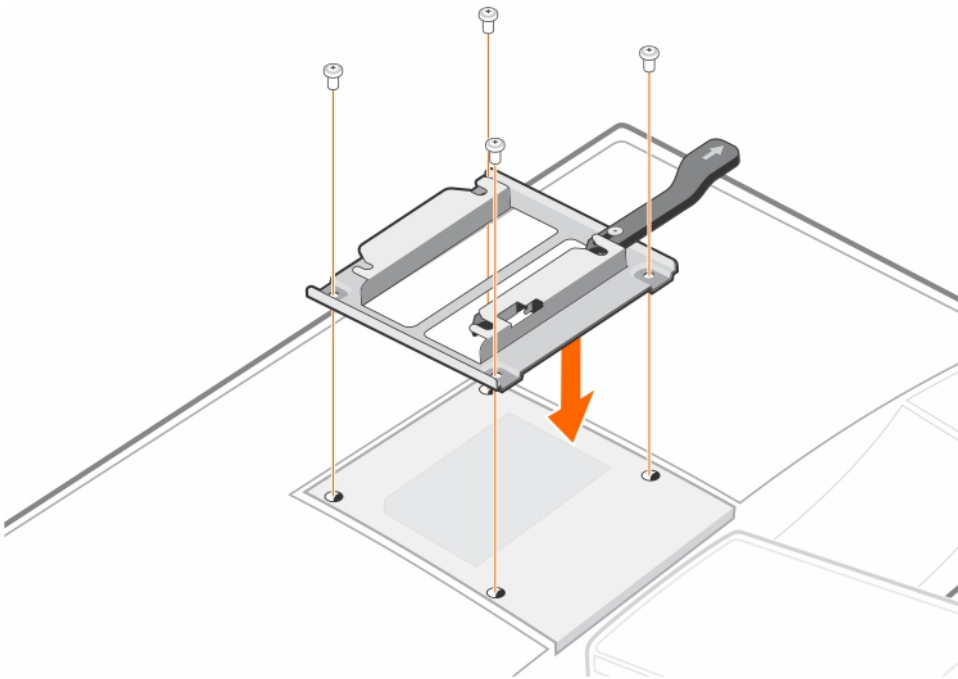
- 3 **Attaching the base extender**—Slide the base extender onto the monitor stand and use the screws provided in the tool kit to secure the base extender to the monitor stand.



CAUTION: Do not overtighten the screws.

4 **Attaching E-series mount to the monitor—**

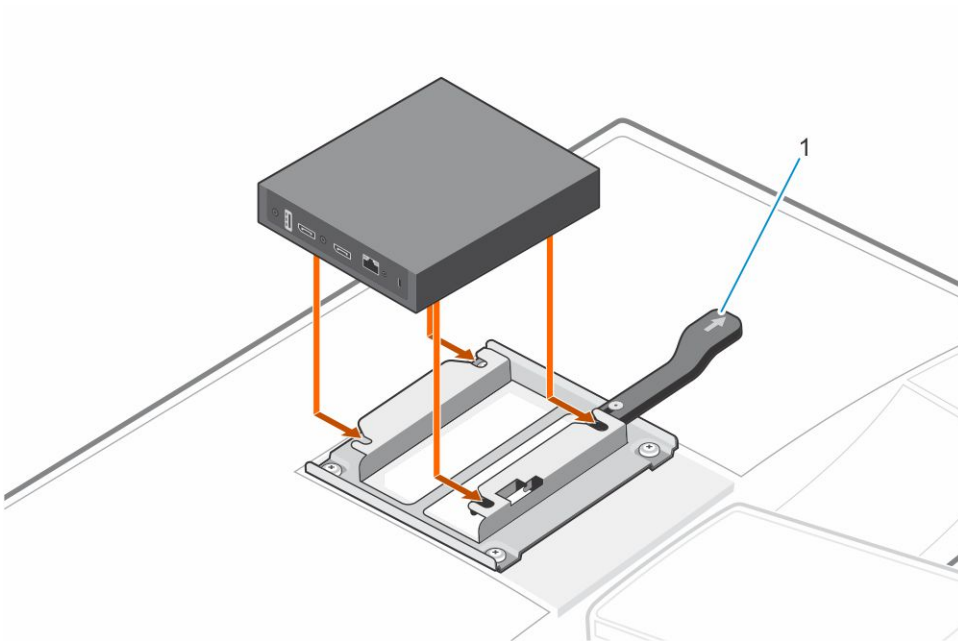
Position the E mount on the back of the monitor and attach it by using the monitor screws at 4 locations.



CAUTION: Do not overtighten the screws.

5 **Attaching the client—**Slightly tip the client to align and insert the four protruding shoulder screws into the cutout areas of the E-series mount. Slide the client until it snaps into place. The security latch moves automatically when the shoulder screws are inserted. The security latch is marked with the number **1** in the following image.

CAUTION: The power button should face towards the security latch and air vents should face outwards for proper heat dissipation.



1. Security latch

- 6 **Connecting cables**—To complete your setup, make all the desired connections, and then plug the AC power cord into an AC wall outlet.

NOTE: To remove the client, gently pull the security latch to the right to release shoulder screws and slide the client from mount.



Mounting Wyse 3010, Wyse 3020, Wyse 3030, Wyse 3030LT, and Wyse 5030 clients

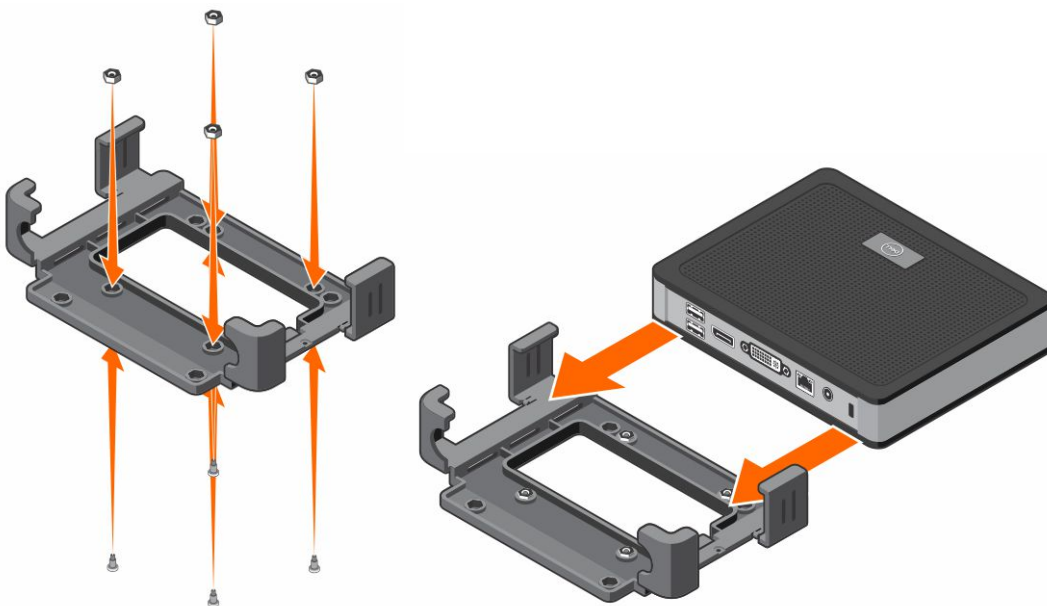
Use the following instructions for mounting the Wyse 3010, Wyse 3020, Wyse 3030, Wyse 3030LT, and Wyse 5030 clients to the E-series monitor mount. These thin clients require mounting of the thin client to their respective horizontal stands before installing the thin client to the E-series monitor mount. The following horizontal stands are required by the respective thin client models:

Table 1. Client name and part number

Client name	Part number
Wyse 3010	XXJ7P
Wyse 3020/5030	92GX5
Wyse 3030/3030LT	GYTXN

1 Preparing the client

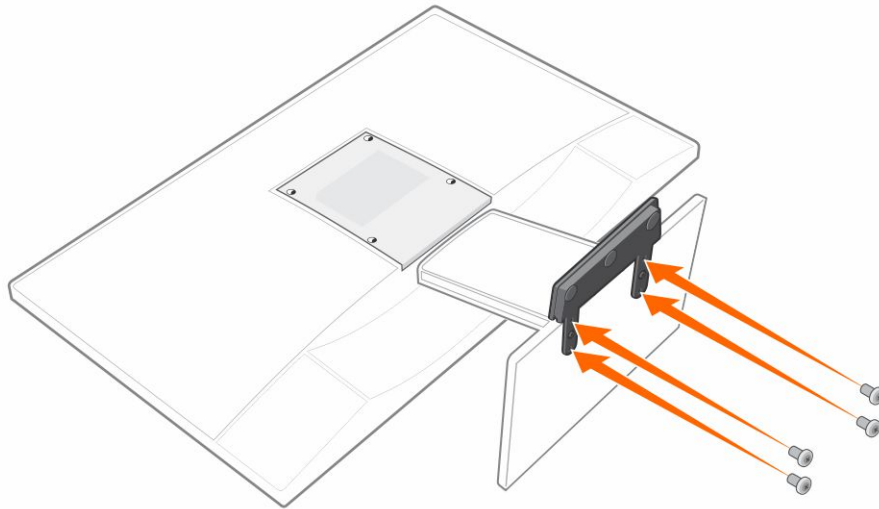
- If the thin client is installed on the horizontal stand, remove it from the stand. On the inside of the horizontal stand, slide one of the four hex nuts that comes with the tool kit into one of the four screw holes.
- From outside of the horizontal stand, insert a shoulder screw into the hex nut and tighten it.
- Repeat for remaining three hex nuts and shoulder screws.
- Insert the client into the horizontal stand, with the power button facing upward, and the extended plastic ledge on the opposite side.



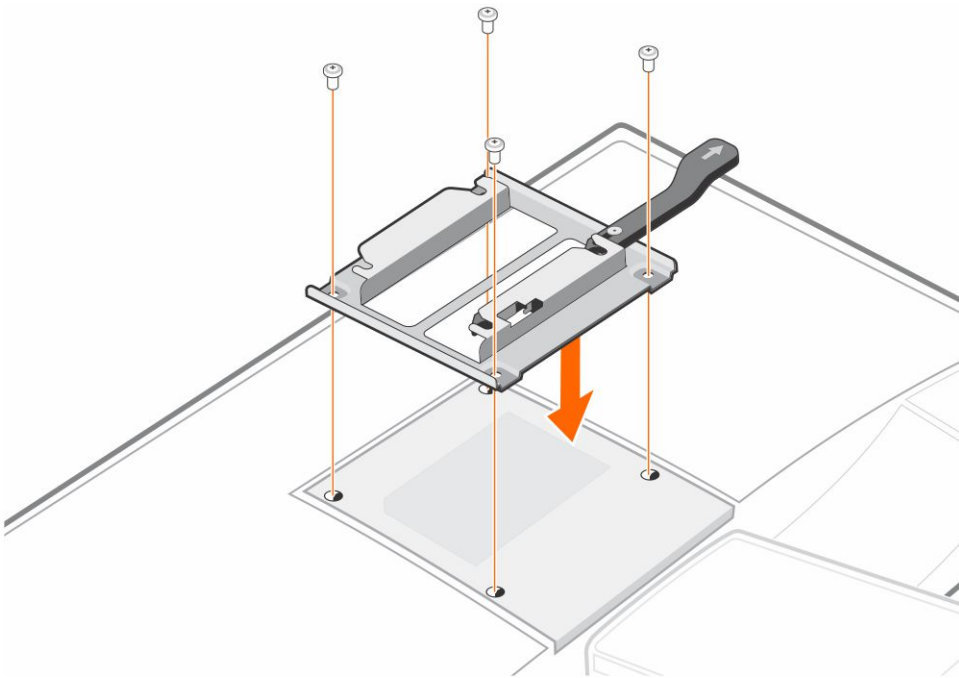
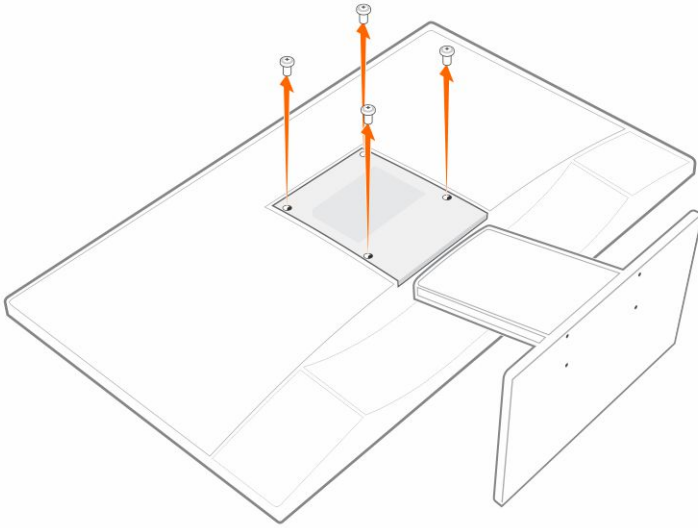
NOTE:

- Slide the hex nut across the stand surface so that it easily slips into the recessed cut-out in the horizontal stand.
- Use the horizontal stand with the hex holes.

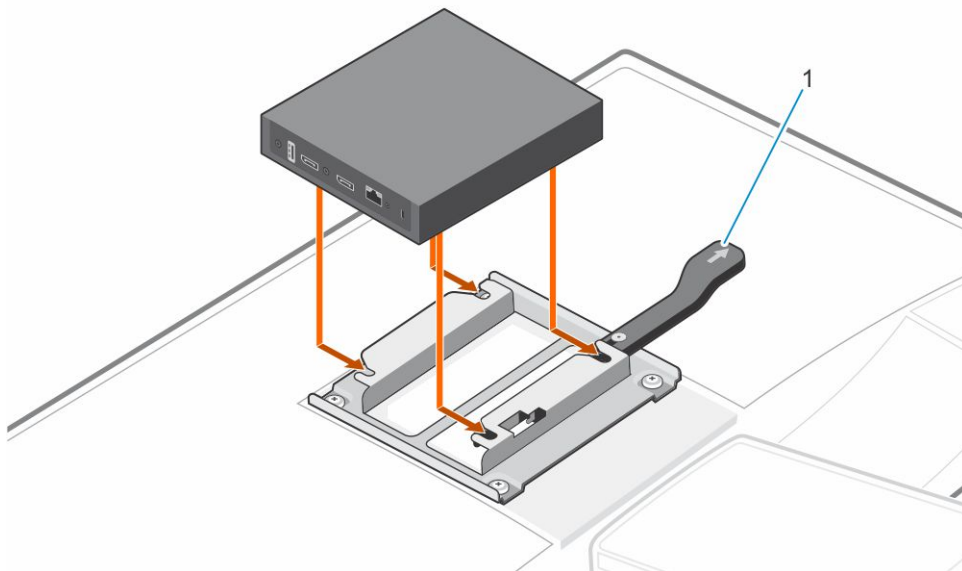
- 2 **Attaching the base extender**—Slide the base extender onto the monitor stand and use the screws provided in the tool kit to secure the base extender to the monitor stand.



- 3 **Attaching the E mount to the monitor**—Remove the four screws from the back of the monitor. Position the E mount on the back of the monitor, and attach it using the same screws.



- 4 **Attaching the client**—Align the client, and insert the shoulder screws into the four cut-out areas of the mount. The security latch moves automatically when the shoulder screws are inserted. The security latch is highlighted with the number **1** in the following image.



1. Security latch.

- 5 **Connecting cables**—To complete your setup, make all the desired connections, and then plug the AC power cord into an AC wall outlet.

