

# Varistor Products

Low to Medium Voltage, Radial Lead

## RoHS ZA Varistor Series



The ZA Series of transient voltage surge suppressors are radial-lead varistors (MOVs) designed for use in the protection of low and medium-voltage circuits and systems. Typical applications include motor control, telecom, automotive systems, solenoid, and power supply circuits to protect circuit board components and maintain data integrity.

These devices are available in five model sizes: 5mm, 7mm, 10mm, 14mm and 20mm, and feature a wide  $V_{DC}$  voltage range of 5.5V to 615V.

See ZA Series Device Ratings and Specifications table for part number and brand information.

### Features

- Lead-free and RoHS compliant option available. Please see the device and ratings specifications table for more information.
- Wide Operating Voltage Range  $V_{M(AC)RMS}$  . . . . . 4V to 460V
- DC Voltage Ratings . . . . . 5.5V to 615V
- No Derating Up to 85°C Ambient
- 5 Model Sizes Available . . . . . 5, 7, 10, 14, and 20mm
- Radial-Lead Package for Hard-Wired or Printed Circuit Board Designs
- Available in Tape and Reel or Bulk Pack
- Standard Lead Form Options

### AGENCY APPROVALS FOR STANDARD PARTS:

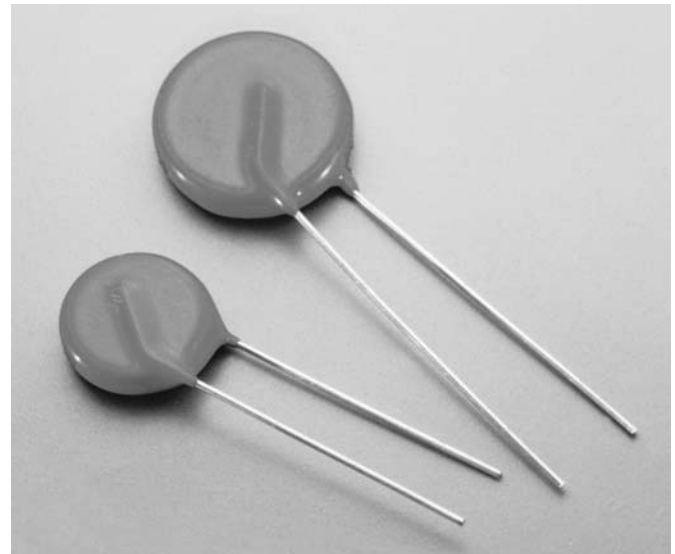
Recognized under the components program of Underwriters Laboratories. CECC and VDE certified.

**Agency File Numbers:** UL E135010, UL E75961, VDE 116895E, CECC 42201.

### AGENCY APPROVALS FOR LEAD-FREE AND RoHS COMPLIANT PARTS:

Selected parts recognized under the components program of Underwriters Laboratories and other parts pending approval. All parts CECC and VDE certified. See details below.

**Agency File Numbers:** UL E135010 (pending approval), UL E75961 (selected parts recognized), VDE 116895E, CECC 42201-006.



## NEW LEAD-FREE AND RoHS COMPLIANT PARTS AVAILABLE

2  
VARISTOR PRODUCTS

# Varistor Products

Low to Medium Voltage, Radial Lead


## RoHS ZA Varistor Series

**Absolute Maximum Ratings** For ratings of individual members of a series, see Device Ratings and Specifications chart.

	<b>ZA SERIES</b>	<b>UNITS</b>
Continuous:		
Steady State Applied Voltage:		
AC Voltage Range ( $V_{M(AC)RMS}$ )	4 to 460	V
DC Voltage Range ( $V_{M(DC)}$ )	5.5 to 615	V
Transient:		
Peak Pulse Current ( $I_{TM}$ )		
For 8/20 $\mu$ s Current Wave (See Figure 2)	50 to 6500	A
Single Pulse Energy Range (Note 1)		
For 10/1000 $\mu$ s Current Wave ( $W_{TM}$ )	0.1 to 52	J
Operating Ambient Temperature Range ( $T_A$ )	-55 to 85	$^{\circ}$ C
Storage Temperature Range ( $T_{STG}$ )	-55 to 125	$^{\circ}$ C
Temperature Coefficient ( $\Delta V$ ) of Clamping Voltage ( $V_C$ ) at Specified Test Current	<0.01	%/ $^{\circ}$ C
Hi-Pot Encapsulation (Isolation Voltage Capability)	2500	V
(Dielectric must withstand indicated DC voltage for one minute per MIL-STD 202, Method 301)		
Insulation Resistance	1000	M $\Omega$

**CAUTION:** Stresses above those listed in "Absolute Maximum Ratings" may cause permanent damage to the device. This is a stress only rating and operation of the device at these or any other conditions above those indicated in the operational sections of this specification is not implied.

### Device Ratings and Specifications (Note 1)

 LEAD-FREE AND RoHS COMPLIANT MODELS		STANDARD MODELS		MODEL SIZE DISC DIA. (mm)	MAXIMUM RATING (85 $^{\circ}$ C)				SPECIFICATIONS (25 $^{\circ}$ C)				
					CONTINUOUS		TRANSIENT		VARISTOR VOLT-AGE AT 1mA DC TEST CURRENT		MAXIMUM CLAMPING VOLTAGE 8 x 20 $\mu$ s	TYPICAL CAPACITANCE f = 1MHz	
					$V_{RMS}$	$V_{DC}$	ENERGY 10 x 1000 $\mu$ s	PEAK CURRENT 8 x 20 $\mu$ s					$V_{M(AC)}$
PART NUMBER	BRANDING	PART NUMBER	BRANDING	(V)	(V)	(J)	(A)	(V)	(V)	(V)	(A)	(pF)	
V8ZA05P	PZ08	V8ZA05	Z08	5	4	5.5	0.1	50	6	11	30	1	1400
V8ZA1P	P08Z1	V8ZA1	08Z1	7	4	5.5	0.4	100	6	11	22	2.5	3000
V8ZA2P	P08Z2	V8ZA2	08Z2	10	4	5.5	0.8	250	6	11	20	5	7500
V12ZA05P	PZ12	V12ZA05	Z12	5	6	8	0.14	50	9	16	37	1	1200
V12ZA1P	P12Z1	V12ZA1	12Z1	7	6	8	0.6	100	9	16	34	2.5	2500
V12ZA2P	P12Z2	V12ZA2	12Z2	10	6	8	1.2	250	9	16	30	5	6000
V18ZA05P	PZ18	V18ZA05	Z18	5	10	14	0.17	100	14.4	21.6	36	1	1000
V18ZA1P	P18Z1	V18ZA1	18Z1	7	10	14	0.8	250	14.4	21.6	36	2.5	2000
V18ZA2P	P18Z2	V18ZA2	18Z2	10	10	14	1.5	500	14.4	21.6	36	5	5000
V18ZA3P	P18Z3	V18ZA3	18Z3	14	10	14	3.5	1000	14.4	21.6	36	10	11000
V18ZA40P	P18Z40	V18ZA40	18Z40	20	10	14	80 (Note 2)	2000	14.4 (Note 3)	21.6	37	20	22000
V22ZA05P	PZ22	V22ZA05	Z22	5	14	18	0.2	100	18.7	26	43	1	800
V22ZA1P	P22Z1	V22ZA1	22Z1	7	14	18	0.9	250	18.7	26	43	2.5	1600
V22ZA2P	P22Z2	V22ZA2	22Z2	10	14	18	2	500	18.7	26	43	5	4000
V22ZA3P	P22Z3	V22ZA3	22Z3	14	14	18	4	1000	18.7	26	43	10	9000
V24ZA50P	P24Z50	V24ZA50	24Z50	20	14	18 (Note 4)	100 (Note 2)	2000	19.2 (Note 3)	26	43	20	18000
V27ZA05P	PZ27	V27ZA05	Z27	5	17	22	0.25	100	23	31.1	53	1	600
V27ZA1P	P27Z1	V27ZA1	27Z1	7	17	22	1	250	23	31.1	53	2.5	1300
V27ZA2P	P27Z2	V27ZA2	27Z2	10	17	22	2.5	500	23	31.1	53	5	3000
V27ZA4P	P27Z4	V27ZA4	27Z4	14	17	22	5	1000	23	31.1	53	10	7000
V27ZA60P	P27Z60	V27ZA60	27Z60	20	17	22	120 (Note 2)	2000	23 (Note 3)	31.1	50	20	13000



See Page 70 for NOTES

# Varistor Products

Low to Medium Voltage, Radial Lead

## RoHS ZA Varistor Series

Device Ratings and Specifications (Note 1) (Continued)

  LEAD-FREE AND RoHS COMPLIANT MODELS		STANDARD MODELS		MODEL SIZE DISC DIA. (mm)	MAXIMUM RATING (85°C)				SPECIFICATIONS (25°C)				
					CONTINUOUS		TRANSIENT		VARISTOR VOLT-AGE AT 1mA DC TEST CURRENT		MAXIMUM CLAMPING VOLTAGE 8 x 20µs		TYPICAL CAPACITANCE f = 1MHz
					V <sub>RMS</sub>	V <sub>DC</sub>	ENERGY 10 x 1000µs	PEAK CURRENT 8 x 20µs					
					PART NUMBER	BRANDING	PART NUMBER	BRANDING	V <sub>M(AC)</sub> (V)	V <sub>M(DC)</sub> (V)	W <sub>TM</sub> (J)	I <sub>TM</sub> (A)	V <sub>NOM MIN</sub> (V)
V33ZA05P	PZ33	V33ZA05	Z33	5	20	26	0.3	100	29.5	38	65	1	500
V33ZA1P	P33Z1	V33ZA1	33Z1	7	20	26	1.2	250	29.5	36.5	65	2.5	1100
V33ZA2P	P33Z2	V33ZA2	33Z2	10	20	26	3	500	29.5	36.5	65	5	2700
V33ZA5P	P33Z5	V33ZA5	33Z5	14	20	26	6	1000	29.5	36.5	65	10	6000
V33ZA70P	P33Z70	V33ZA70	33Z70	20	21	27	150 (Note 2)	2000	29.5 (Note 3)	36.5	58	20	13000
V36ZA80P	P36Z80	V36ZA80	36Z80	20	23	31	160 (Note 2)	2000	32 (Note 3)	40	63	20	12000
V39ZA05P	PZ39	V39ZA05	Z39	5	25	31	0.3	100	35	46	79	1	500
V39ZA1P	P39Z1	V39ZA1	39Z1	7	25	31	1.2	250	35	43	79	2.5	1100
V39ZA3P	P39Z3	V39ZA3	39Z3	10	25	31	3	500	35	43	76	5	2700
V39ZA6P	P39Z6	V39ZA6	39Z6	14	25	31	6	1000	35	43	76	10	6000
V39ZA20P	P39Z20	V39ZA20	39Z20	20	25	31	20	2000	35	43	76	20	12000
V47ZA05P	PZ47	V47ZA05	Z47	5	30	38	0.4	100	42	55	93	1	400
V47ZA1P	P47Z1	V47ZA1	47Z1	7	30	38	1.8	250	42	52	93	2.5	800
V47ZA3P	P47Z3	V47ZA3	47Z3	10	30	38	4.5	500	42	52	93	5	2000
V47ZA7P	P47Z7	V47ZA7	47Z7	14	30	38	8.8	1000	42	52	93	10	4500
V47ZA20P	P47Z20	V47ZA20	47Z20	20	30	38	23	2000	42	52	93	20	11000
V56ZA05P	PZ56	V56ZA05	Z56	5	35	45	0.5	100	50	66	110	1	360
V56ZA2P	P56Z2	V56ZA2	56Z2	7	35	45	2.3	250	50	62	110	2.5	700
V56ZA3P	P56Z3	V56ZA3	56Z3	10	35	45	5.5	500	50	62	110	5	1800
V56ZA8P	P56Z8	V56ZA8	56Z8	14	35	45	10	1000	50	62	110	10	3900
V56ZA20P	P56Z20	V56ZA20	56Z20	20	35	45	30	2000	50	62	110	20	10000
V68ZA05P	PZ68	V68ZA05	Z68	5	40	56	0.6	100	61	80	135	1	300
V68ZA2P	P68Z2	V68ZA2	68Z2	7	40	56	3	250	61	75	135	2.5	600
V68ZA3P	P68Z3	V68ZA3	68Z3	10	40	56	6.5	500	61	75	135	5	1500
V68ZA10P	P68Z10	V68ZA10	68Z10	14	40	56	13	1000	61	75	135	10	3300
V68ZA20P	P68Z20	V68ZA20	68Z20	20	40	56	33	2000	61	75	135	20	10000
V82ZA05P	PZ82	V82ZA05	Z82	5	50	68	2	400	73	97	135	5	240
V82ZA2P	P82Z2	V82ZA2	82Z2	7	50	68	4	1200	73	91	135	10	500
V82ZA4P	P82Z4	V82ZA4	82Z4	10	50	68	8	2500	73	91	135	25	1100
V82ZA12P	P82Z12	V82ZA12	82Z12	14	50	68	15	4500	73	91	145	50	2500
V100ZA05P	PZ100	V100ZA05	Z100	5	60	81	2.5	400	90	117	165	5	180
V100ZA3P	P100Z	V100ZA3	100Z	7	60	81	5	1200	90	110	165	10	400
V100ZA4P	P100Z4	V100ZA4	100Z4	10	60	81	10	2500	90	110	165	25	900
V100ZA15P	P100Z15	V100ZA15	100Z15	14	60	81	20	4500	90	110	175	50	2000

VARISTOR PRODUCTS

2


See Page 70 for NOTES

# Varistor Products

Low to Medium Voltage, Radial Lead

## RoHS ZA Varistor Series

Device Ratings and Specifications (Note1) (Continued)

 LEAD-FREE AND RoHS COMPLIANT MODELS		STANDARD MODELS		MODEL SIZE DISC DIA. (mm)	MAXIMUM RATING (85°C)				SPECIFICATIONS (25°C)				
					CONTINUOUS		TRANSIENT		VARISTOR VOLTAGE AT 1mA DC TEST CURRENT		MAXIMUM CLAMPING VOLTAGE 8 x 20µs		TYPICAL CAPACITANCE f = 1MHz
PART NUMBER	BRANDING	PART NUMBER	BRANDING	V <sub>RMS</sub>	V <sub>DC</sub>	ENERGY 10 x 1000µs	PEAK CURRENT 8 x 20µs	V <sub>NOM MIN</sub>					
				V <sub>M(AC)</sub> (V)	V <sub>M(DC)</sub> (V)	W <sub>TM</sub> (J)	I <sub>TM</sub> (A)	(V)		(V)	(A)	(pF)	
V120ZA05P	PZ120	V120ZA05	Z120	5	75	102	3	400	108	138	205	5	140
V120ZA1P	P120Z	V120ZA1	120Z	7	75	102	6	1200	108	132	205	10	300
V120ZA4P	P120Z4	V120ZA4	120Z4	10	75	102	12	2500	108	132	200	25	750
V120ZA6P	P120Z6	V120ZA6	120Z6	14	75	102	22	4500	108	132	210	50	1700
V120ZA20P	P120Z20	V120ZA20	120Z20	20	75	102	33	6500	108	132	210	100	1500
V150ZA05P	PZ150	V150ZA05	Z150	5	92	127	4	400	135	173	250	5	120
V150ZA1P	PZ051	V150ZA1	Z051	7	95	127	8	1200	135	165	250	10	250
V150ZA4P	P150Z4	V150ZA4	150Z4	10	95	127	15	2500	135	165	250	25	600
† V150ZA8P	P150Z8	V150ZA8	150Z8	14	95	127	20	4500	135	165	250	50	1400
V150ZA20P	P150Z20	V150ZA20	150Z20	20	95	127	45	6500	135	165	250	100	1000
V180ZA05P	PZ180	V180ZA05	Z180	5	110	153	5	400	162	207	295	5	100
V180ZA1P	P180Z	V180ZA1	180Z	7	115	153	10	1200	162	198	300	10	200
V180ZA5P	P180Z5	V180ZA5	180Z5	10	115	153	18	2500	162	198	300	25	500
V180ZA10P	P180Z10	V180ZA10	180Z10	14	115	153	35	4500	162	198	300	50	1100
V180ZA20P	P180Z20	V180ZA20	180Z20	20	115	153	52	6500	162	198	300	100	2400
V205ZA05P	PZ205	V205ZA05	Z205	5	130	170	5.5	400	184	226	340	5	100
† V220ZA05P	PZ220	V220ZA05	Z220	5	140	180	6	400	198	253	360	5	90
† V240ZA05P	PZ240	V240ZA05	Z240	5	150	200	7	400	216	264	395	5	80
† V270ZA05P	PZ270	V270ZA05	Z270	5	175	225	7.5	400	243	311	455	5	70
† V330ZA05P	PZ330	V330ZA05	Z330	5	210	275	9	400	297	380	540	5	60
† V360ZA05P	PZ360	V360ZA05	Z360	5	230	300	9.5	400	324	396	595	5	55
† V390ZA05P	PZ390	V390ZA05	Z390	5	250	330	10	400	351	449	650	5	50
† V430ZA05P	PZ430	V430ZA05	Z430	5	275	369	11	400	387	495	710	5	45
† V470ZA05P	PZ470	V470ZA05	Z470	5	300	385	12	400	420	517	775	5	35
† V620ZA05P	PZ620	V620ZA05	Z620	5	385	505	13	400	558	682	1025	5	33
† V680ZA05P	PZ680	V680ZA05	Z680	5	420	560	14	400	610	748	1120	5	32
V715ZA05P	PZ715	V715ZA05	Z715	5	440	585	15.5	400	643	787	1180	5	31
V750ZA05P	PZ750	V750ZA05	Z750	5	460	615	17	400	675	825	1240	5	30

NOTES:

1. Average power dissipation of transients not to exceed 0.2W, 0.25W, 0.4W, 0.6W or 1W for model sizes 5mm, 7mm, 10mm, 14mm and 20mm, respectively.
  2. Energy rating for impulse duration of 30ms minimum to one half of peak current (auto load dump).
  3. 10mA DC test current.
  4. Also rated to withstand 24V for 5 minutes.
  5. Higher voltages available, contact Littelfuse.
- † Recognized to UL1449, "Transient Voltage Surge Suppressors" File #E75961.

# Varistor Products

Low to Medium Voltage, Radial Lead

## RoHS ZA Varistor Series

### Power Dissipation Ratings

Should transients occur in rapid succession, the average power dissipation required is simply the energy (watt-seconds) per pulse times the number of pulses per second. The power so developed must be within the specifications shown on the Device Ratings and Specifications table for the specific device. Furthermore, the operating values need to be derated at high temperatures as shown in Figure 1. Because varistors can only dissipate a relatively small amount of average power they are, therefore, not suitable for repetitive applications that involve substantial amounts of average power dissipation.

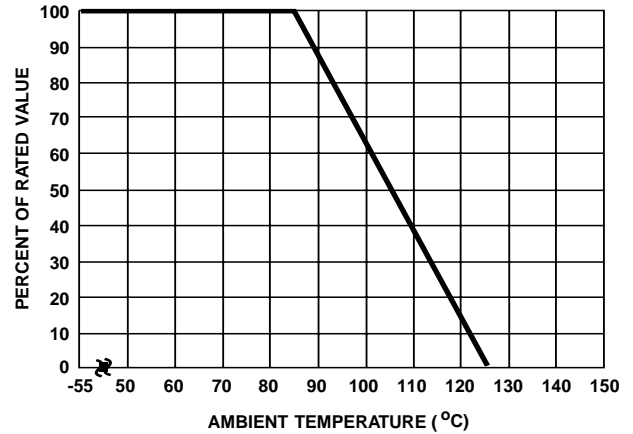


FIGURE 1. CURRENT, ENERGY AND POWER DERATING CURVE

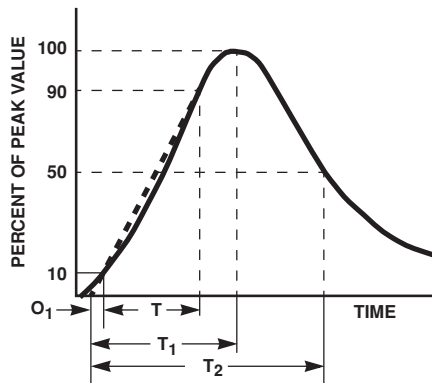


FIGURE 2. PEAK PULSE CURRENT TEST WAVEFORM

$O_1$  = Virtual Origin of Wave  
 $T$  = Time From 10% to 90% of Peak  
 $T_1$  = Virtual Front time =  $1.25 \cdot t$   
 $T_2$  = Virtual Time to Half Value (Impulse Duration)  
 Example: For an  $8/20\mu s$  Current Waveform:  
 $8\mu s = T_1$  = Virtual Front Time  
 $20\mu s = T_2$  = Virtual Time to Half Value

### Transient V-I Characteristics Curves

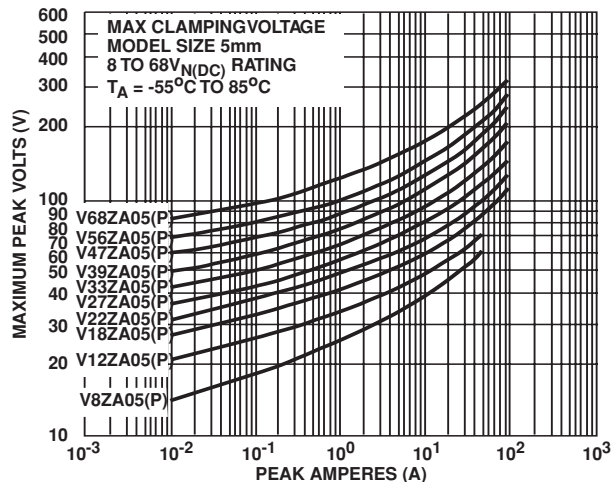


FIGURE 3. CLAMPING VOLTAGE FOR V8ZA05(P) - V68ZA05(P)

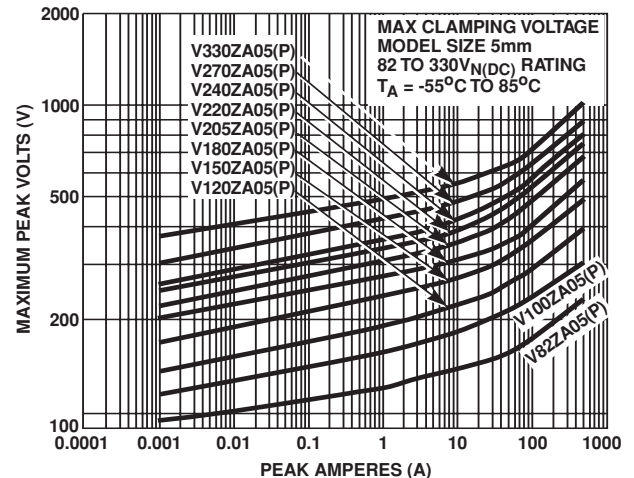


FIGURE 4. CLAMPING VOLTAGE FOR V82ZA05(P) - V330ZA05(P)

2  
VARISTOR PRODUCTS

# Varistor Products

Low to Medium Voltage, Radial Lead

## RoHS ZA Varistor Series

### Transient V-I Characteristics Curves (Continued)

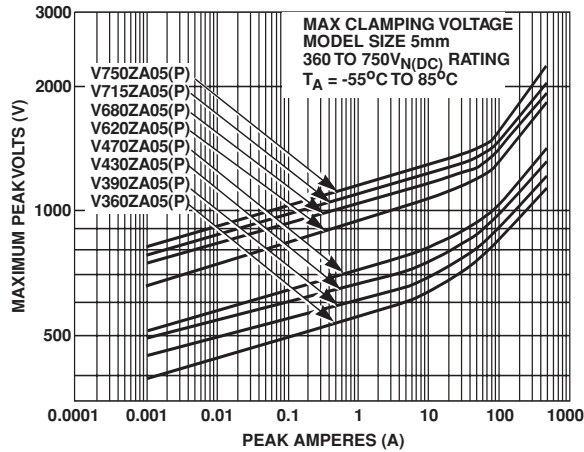


FIGURE 5. CLAMPING VOLTAGE FOR V360ZA05(P) - V750ZA05(P)

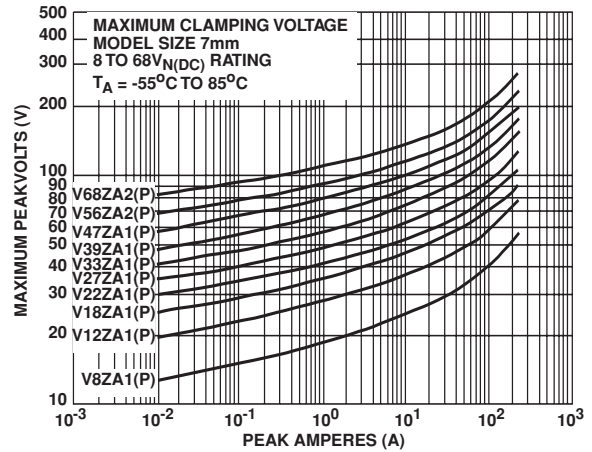


FIGURE 6. CLAMPING VOLTAGE FOR V8ZA1(P) - V68ZA2(P)

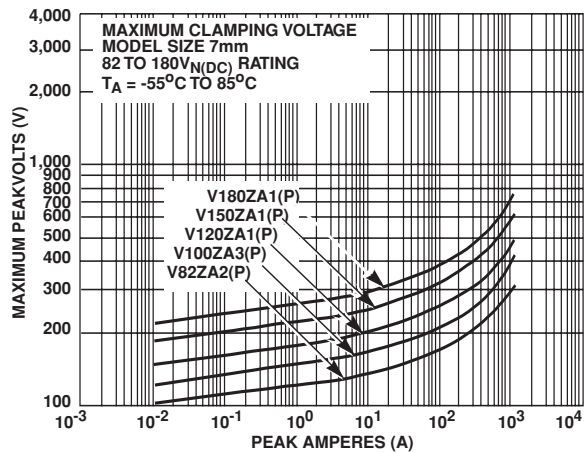


FIGURE 7. CLAMPING VOLTAGE FOR V82ZA2(P) - V180ZA1(P)

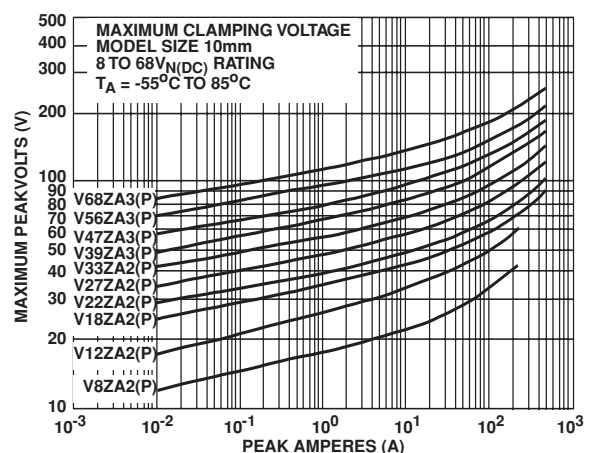


FIGURE 8. CLAMPING VOLTAGE FOR V8ZA2(P) - V68ZA3(P)

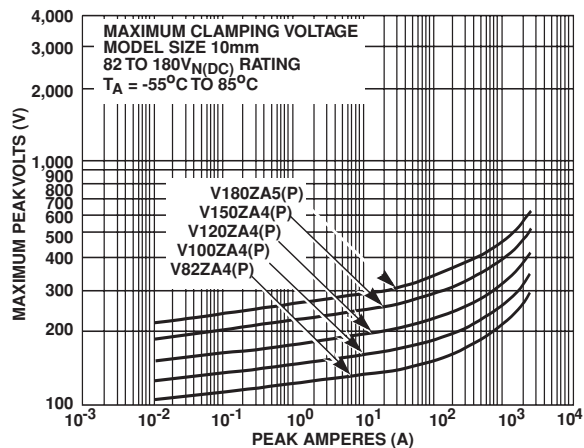


FIGURE 9. CLAMPING VOLTAGE FOR V82ZA4(P) - V180ZA5(P)

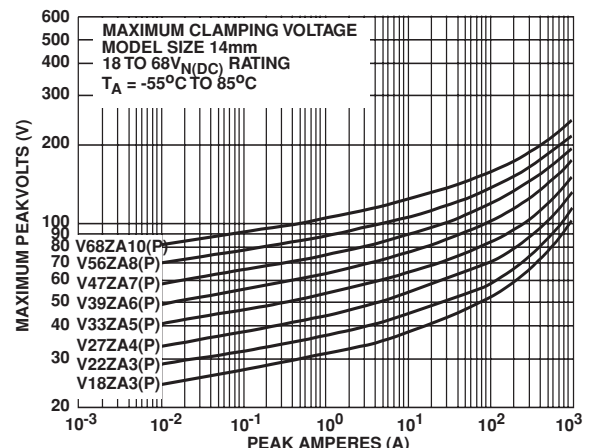


FIGURE 10. CLAMPING VOLTAGE FOR V18ZA3(P) - V68ZA10(P)

# Varistor Products

Low to Medium Voltage, Radial Lead

**RoHS** **PA** **ZA Varistor Series**

## Transient V-I Characteristics Curves (Continued)

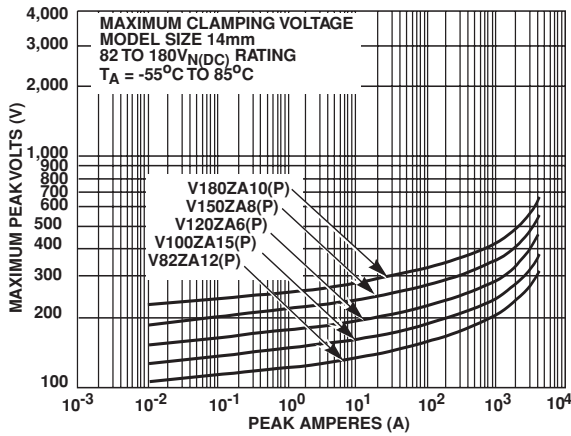


FIGURE 11. CLAMPING VOLTAGE FOR V82ZA12(P) - V180ZA10(P)

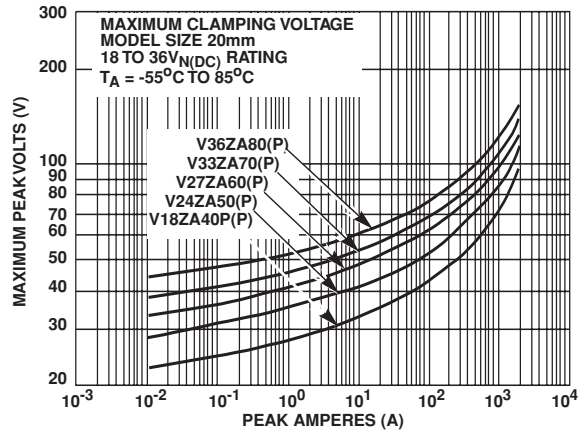


FIGURE 12. CLAMPING VOLTAGE FOR V18ZA40(P) - V36ZA80(P)

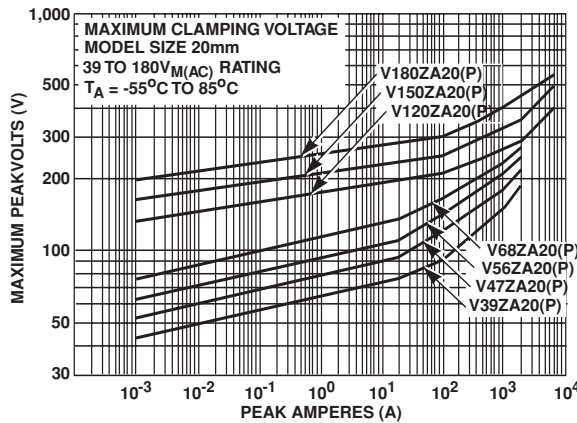


FIGURE 13. CLAMPING VOLTAGE FOR V39ZA20(P) - V180ZA20(P)

## Pulse Rating Curves

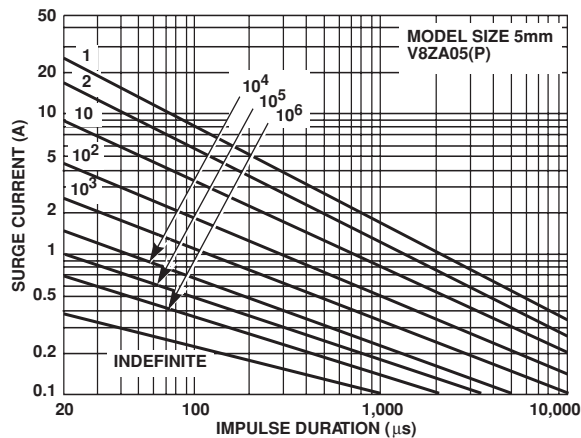


FIGURE 14. SURGE CURRENT RATING CURVES FOR V8ZA05(P)

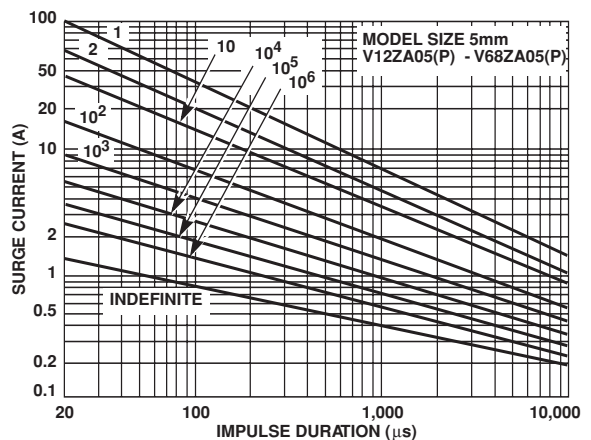


FIGURE 15. SURGE CURRENT RATING CURVES FOR V12ZA05(P) - V68ZA05(P)

2  
VARISTOR  
PRODUCTS

# Varistor Products

Low to Medium Voltage, Radial Lead

## RoHS ZA Varistor Series

### Pulse Rating Curves (Continued)

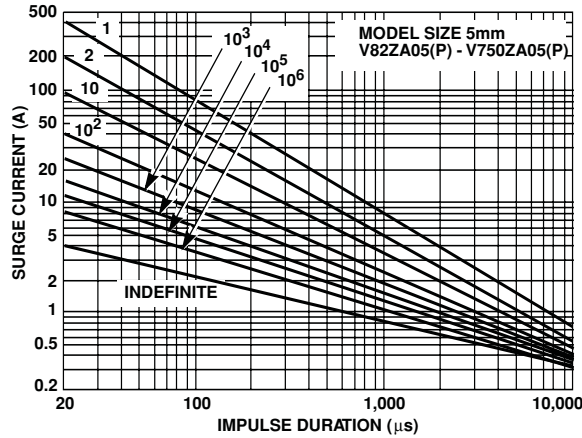


FIGURE 16. SURGE CURRENT RATING CURVES FOR V82ZA05(P) - V750ZA05(P)

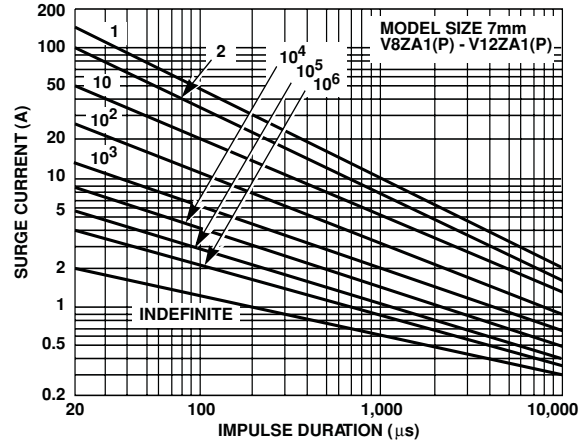


FIGURE 17. SURGE CURRENT RATING CURVES FOR V8ZA1(P) - V12ZA1(P)

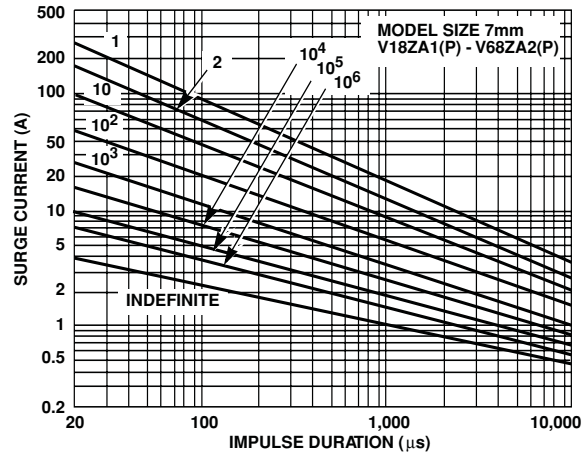


FIGURE 18. SURGE CURRENT RATING CURVES FOR V18ZA1(P) - V68ZA2(P)

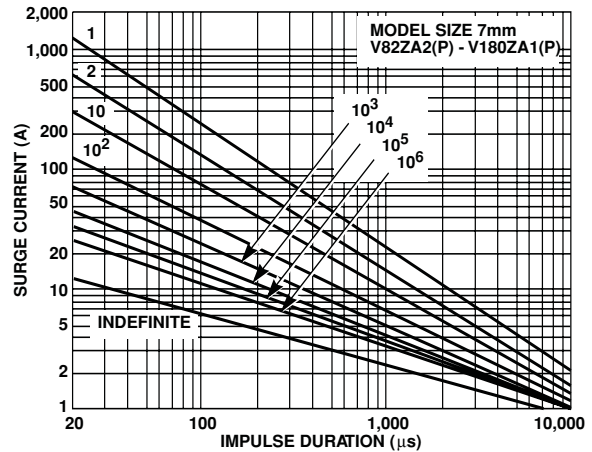


FIGURE 19. SURGE CURRENT RATING CURVES FOR V82ZA2(P) - V180ZA1(P)

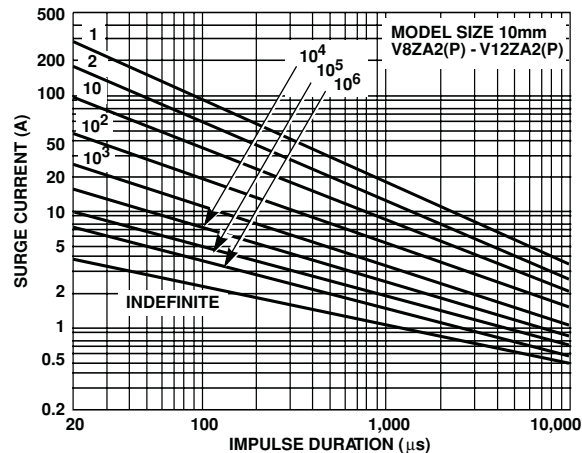


FIGURE 20. SURGE CURRENT RATING CURVES FOR V8ZA2(P) - V12ZA2(P)

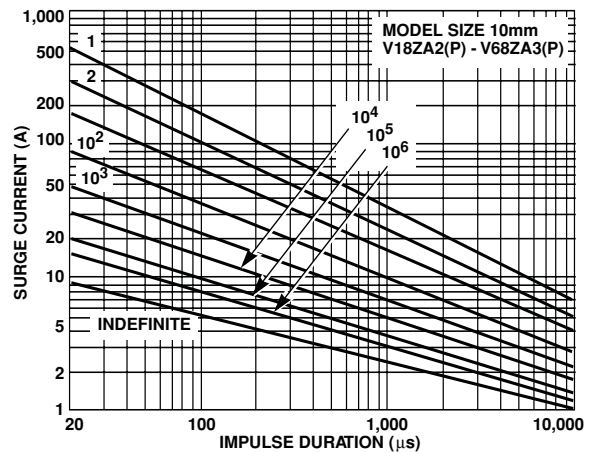


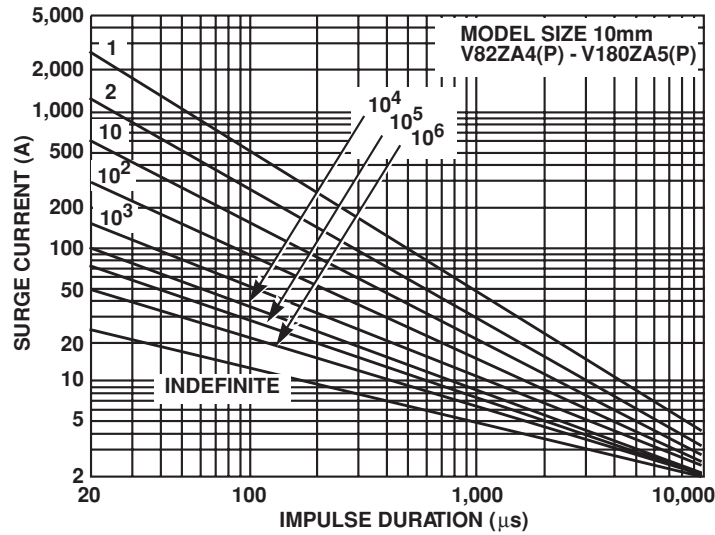
FIGURE 21. SURGE CURRENT RATING CURVES FOR V18ZA2(P) - V68ZA3(P)

# Varistor Products

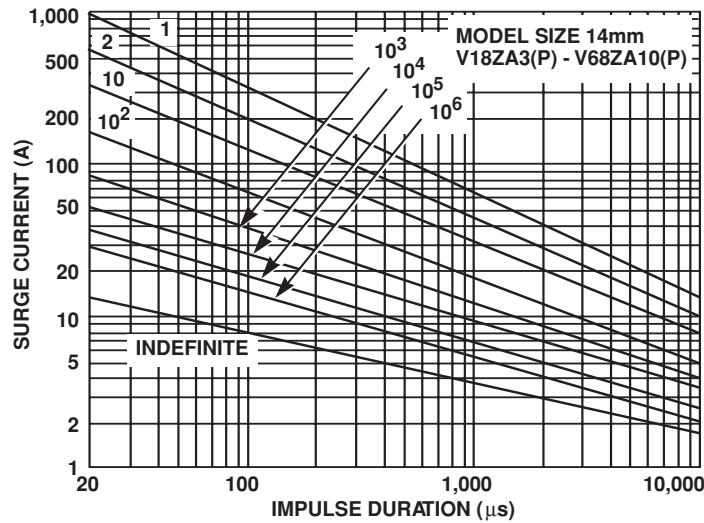
Low to Medium Voltage, Radial Lead

**RoHS** **Pb** **ZA Varistor Series**

## Pulse Rating Curves (Continued)



**FIGURE 22. SURGE CURRENT RATING CURVES FOR V82ZA4(P) - V180ZA5(P)**



**FIGURE 23. SURGE CURRENT RATING CURVES FOR V18ZA3(P) - V68ZA10(P)**

2  
VARISTOR PRODUCTS

# Varistor Products

Low to Medium Voltage, Radial Lead

## RoHS ZA Varistor Series

### Pulse Rating Curves (Continued)

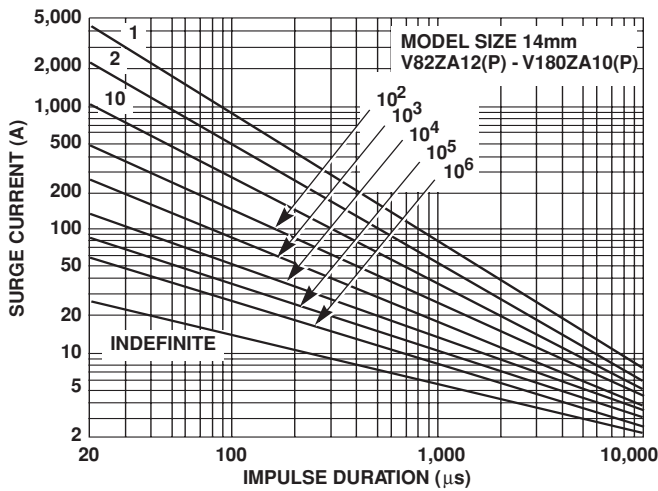


FIGURE 24. SURGE CURRENT RATING CURVES FOR V82ZA12(P) - V180ZA10(P)

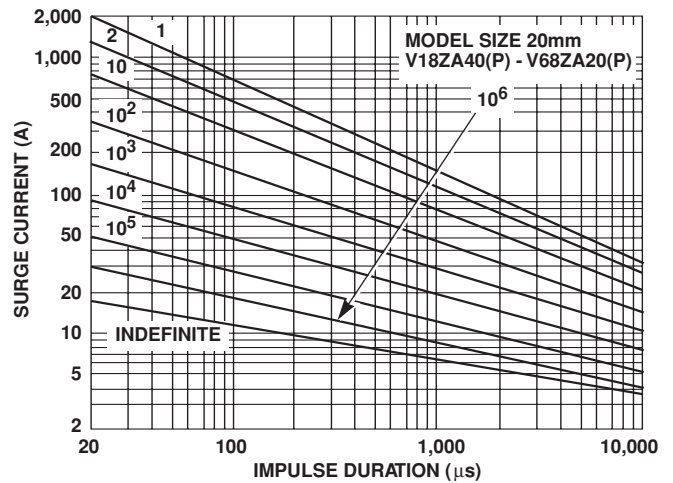


FIGURE 25. SURGE CURRENT RATING CURVES FOR V18ZA40(P) - V68ZA20(P)

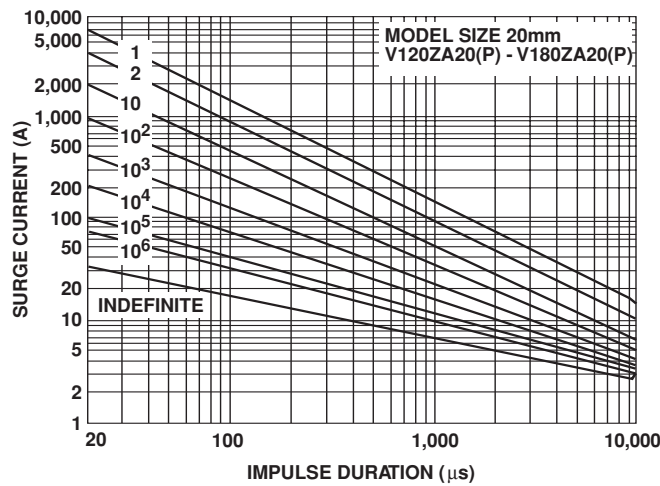


FIGURE 26. SURGE CURRENT RATING CURVES FOR V120ZA20(P) - V180ZA20(P)

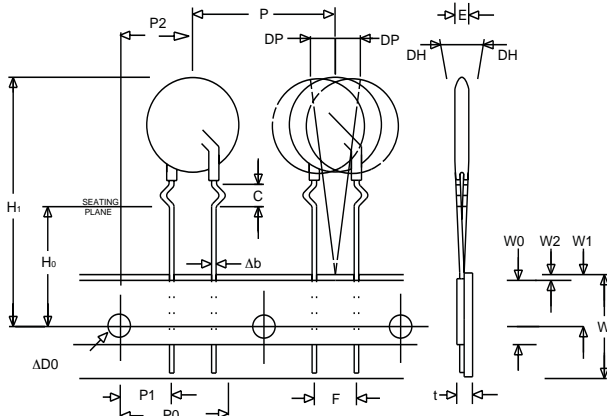
NOTE: If pulse ratings are exceeded, a shift of  $V_{N(DC)}$  (at specified current) of more than  $\pm 10\%$  could result. This type of shift, which normally results in a decrease of  $V_{N(DC)}$ , may result in the device not meeting the original published specifications, but does not prevent the device from continuing to function, and to provide ample protection.

# Varistor Products

Low to Medium Voltage, Radial Lead

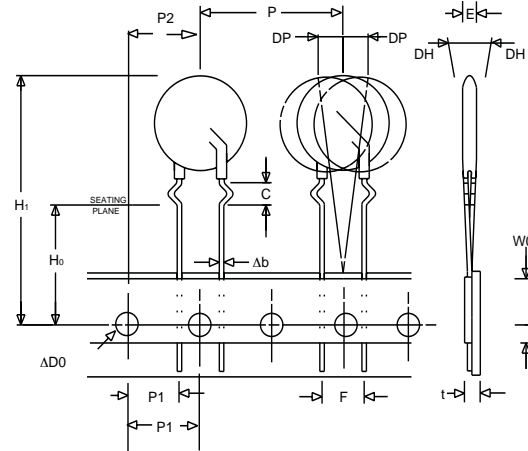
## RoHS ZA Varistor Series

### Tape and Reel Specifications 5 and 7mm Devices



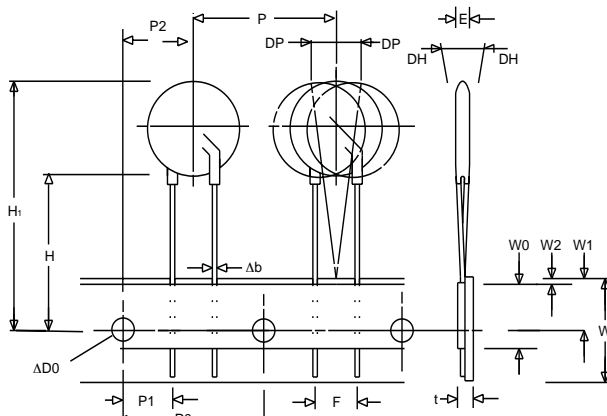
Crimped Leads "LT"

### 10, 14 and 20mm Devices

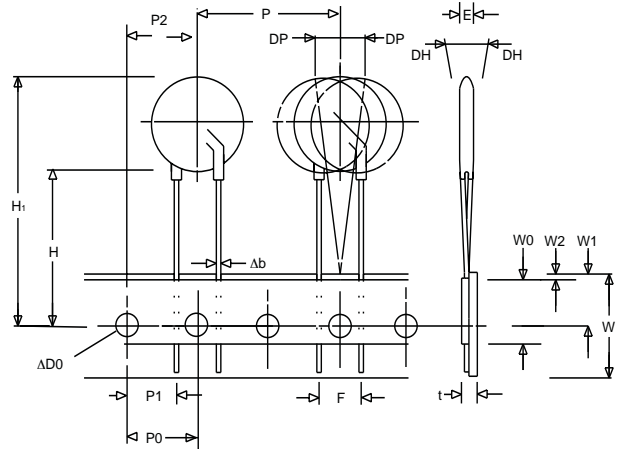


Crimped Leads "LT"

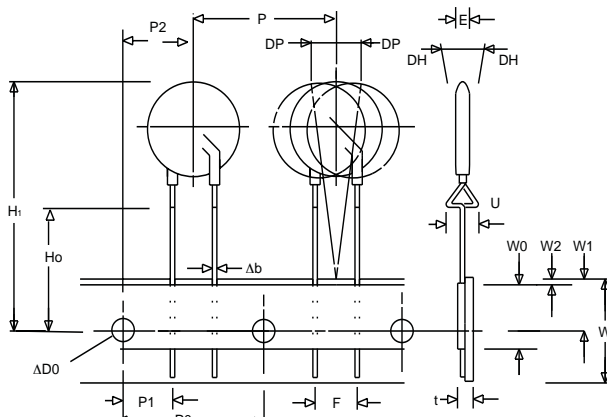
2  
VARISTOR PRODUCTS



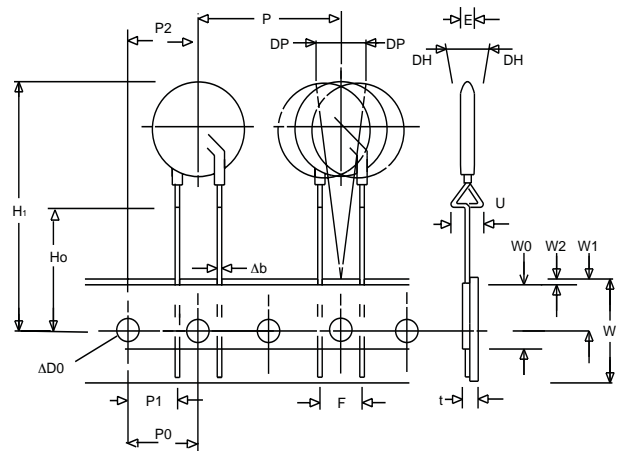
Straight Leads "LS"



Straight Leads "LS"



Under-crimped Leads "LU"



Under-crimped Leads "LU"

# Varistor Products

Low to Medium Voltage, Radial Lead

## RoHS ZA Varistor Series

SYMBOL	PARAMETER	MODEL SIZE				
		5mm	7mm	10mm	14mm	20mm
P	Pitch of Component	12.7 ± 1.0	12.7 ± 1.0	25.4 ± 1.0	25.4 ± 1.0	25.4 ± 1.0
P <sub>0</sub>	Feed Hole Pitch	12.7 ± 0.2	12.7 ± 0.2	12.7 ± 0.2	12.7 ± 0.2	12.7 ± 0.2
P <sub>1</sub>	Feed Hole Center to Pitch	3.85 ± 0.7	3.85 ± 0.7	8.85 ± 0.7	8.85 ± 0.7	8.85 ± 0.7
P <sub>2</sub>	Hole Center to Component Center	6.35 ± 1.0	6.35 ± 1.0	12.7 ± 0.7	12.7 ± 0.7	12.7 ± 0.7
F	Lead to Lead Distance	5.0 ± 1.0	5.0 ± 1.0	7.5 ± 1.0	7.5 ± 1.0	7.5 ± 1.0
h	Component Alignment	2.0 Max	2.0 Max	2.0 Max	2.0 Max	2.0 Max
W	Tape Width	18.0 + 1.0 18.0 - 0.5	18.0 + 1.0 18.0 - 0.5	18.0 + 1.0 18.0 - 0.5	18.0 + 1.0 18.0 - 0.5	18.0 + 1.0 18.0 - 0.5
W <sub>0</sub>	Hold Down Tape Width	12.0 ± 0.3	12.0 ± 0.3	12.0 ± 0.3	12.0 ± 0.3	12.0 ± 0.3
W <sub>1</sub>	Hole Position	9.0 + 0.75 9.0 - 0.50	9.0 + 0.75 9.0 - 0.50	9.0 + 0.75 9.0 - 0.50	9.0 + 0.75 9.0 - 0.50	9.0 + 0.75 9.0 - 0.50
W <sub>2</sub>	Hold Down Tape Position	0.5 Max	0.5 Max	0.5 Max	0.5 Max	0.5 Max
H	Height from Tape Center to Component Base	18.0 + 2.0 18.0 - 0.0	18.0 + 2.0 18.0 - 0.0	18.0 + 2.0 18.0 - 0.0	18.0 + 2.0 18.0 - 0.0	18.0 + 2.0 18.0 - 0.0
H <sub>0</sub>	Seating Plane Height	16.0 ± 0.5	16.0 ± 0.5	16.0 ± 0.5	16.0 ± 0.5	16.0 ± 0.5
H <sub>1</sub>	Component Height	29.0 Max	32.0 Max	36.0 Max	40.0 Max	46.5 Max
D <sub>0</sub>	Feed Hole Diameter	4.0 ± 0.2	4.0 ± 0.2	4.0 ± 0.2	4.0 ± 0.2	4.0 ± 0.2
t	Total Tape Thickness	0.7 ± 0.2	0.7 ± 0.2	0.7 ± 0.2	0.7 ± 0.2	0.7 ± 0.2
U	Under-crimp Width	8.0 Max	8.0 Max	8.0 Max	8.0 Max	8.0 Max
p	Component Alignment	3° Max	3° Max	3° Max	3° Max	3° Max

NOTE: Dimensions are in mm.

### Tape and Reel Data

- Conforms to ANSI and EIA specifications
- Can be supplied to IEC Publication 286-2
- Radial devices on tape are supplied with crimped leads, straight leads, or under-crimped leads
- 5mm parts are available on tape and reel up to 385 VAC only

NOTE: Leads are offset by Dim e1

# Varistor Products

Low to Medium Voltage, Radial Lead

## RoHS ZA Varistor Series

### Tape and Reel Ordering Information

Crimped leads are standard on ZA types supplied in tape and reel and are denoted by the model letter "T". Model letter "S" denotes straight leads and letter "U" denotes special under-crimped leads.

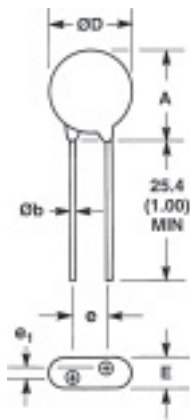
Example:

STANDARD MODEL	CRIMPED LEADS	STRAIGHT LEADS	UNDER-CRIMPED LEADS
V18ZA3	V18ZT3	V18ZS3	V18ZU3

### SHIPPING QUANTITY

SIZE	RMS (MAX) VOLTAGE	QUANTITY PER REEL		
		"T" REEL	"S" REEL	"U" REEL
5mm	All	1000	1000	1000
7mm	All	1000	1000	1000
10mm	All	500	500	500
14mm	< 300V	500	500	500
14mm	≥ 300V	500	500	400
20mm	< 300V	500	500	500
20mm	≥ 300V	500	500	400

### Mechanical Dimensions



SYM-BOL	VOLTAGE MODEL	VARISTOR MODEL SIZE									
		5mm		7mm		10mm		14mm		20mm	
		MIN	MAX	MIN	MAX	MIN	MAX	MIN	MAX	MIN	MAX
A	All	-	10 (0.394)	-	12 (0.472)	-	16 (0.630)	-	20 (0.787)	-	26.5 (1.043)
ØD	All	-	7 (0.276)	-	9 (0.354)	-	12.5 (0.492)	-	17 (0.669)	-	23 (0.906)
e	All	4 (0.157)	6 (0.236)	4 (0.157)	6 (0.236)	6.5 (0.256)	8.5 (0.335)	6.5 (0.256)	8.5 (0.335)	6.5 (0.256) (Note 6)	8.5 (0.335) (Note 6)
e <sub>1</sub>	V8ZA-V56ZA	1 (0.039)	3 (0.118)	1 (0.039)	3 (0.118)	1 (0.039)	3 (0.118)	1 (0.039)	3 (0.118)	1 (0.039)	3 (0.118)
	V68ZA-V100ZA	1.5 (0.059)	3.5 (0.138)	1.5 (0.059)	3.5 (0.138)	1.5 (0.059)	3.5 (0.138)	1.5 (0.059)	3.5 (0.138)	1.5 (0.059)	3.5 (0.138)
	V120ZA-V180ZA	1 (0.039)	3 (0.118)	1 (0.039)	3 (0.118)	1 (0.039)	3 (0.118)	1 (0.038)	3 (0.118)	1 (0.038)	3 (0.118)
	V205ZA-V750ZA	1.5 (0.059)	3.5 (0.138)	-	-	-	-	-	-	-	-
E	V8ZA-V56ZA	-	5 (0.197)	-	5 (0.197)	-	5 (0.197)	-	5 (0.197)	-	5 (0.197)
	V68ZA-V100ZA	-	5.6 (0.220)	-	5.6 (0.220)	-	5.6 (0.220)	-	5.6 (0.220)	-	5.6 (0.220)
	V120ZA-V180ZA	-	5 (0.197)	-	5 (0.197)	-	5 (0.197)	-	5 (0.197)	-	5 (0.197)
	V205ZA-V750ZA	-	5.6 (0.220)	-	-	-	-	-	-	-	-
Øb	All	0.585 (0.023)	0.685 (0.027)	0.585 (0.023)	0.685 (0.027)	0.76 (0.030)	0.86 (0.034)	0.76 (0.030)	0.86 (0.034)	0.76 (0.030)	0.86 (0.034)

NOTES: Dimensions in millimeters, inches in parentheses.

6. 10mm ALSO AVAILABLE; See Additional Lead Style Options.

7. V24ZA50(P) and V24ZC50(P) only supplied with lead spacing of 6.35mm ± 0.5mm (0.25 ± 0.0196)  
Dimension e = 5.85 min. Does not apply to T&R parts.

# Varistor Products

Low to Medium Voltage, Radial Lead

## RoHS ZA Varistor Series

### Additional Lead Style Options

Radial lead types can be supplied with combination preformed crimp and trimmed leads. This option is supplied to the dimensions shown.



**\*SEATING PLANE INTERPRETATION PER IEC-717  
CRIMPED AND TRIMMED LEAD**

SYMBOL	VARISTOR MODEL SIZE									
	5mm		7mm		10mm		14mm		20mm	
	MIN	MAX	MIN	MAX	MIN	MAX	MIN	MAX	MIN	MAX
A	-	13.0 (0.512)	-	15 (0.591)	-	19.5 (0.768)	-	22.5 (0.886)	-	29.0 (1.142)
LTRIM	2.41 (0.095)	4.69 (0.185)	2.41 (0.095)	4.69 (0.185)	2.41 (0.095)	4.69 (0.185)	2.41 (0.095)	4.69 (0.185)	2.41 (0.095)	4.69 (0.185)

NOTE: Dimensions in millimeters, inches in parentheses.

- To order this crimped and trimmed lead style, standard radial type model numbers are changed by replacing the model letter "ZA" with "ZC". This option is supplied in bulk only.

Example:

STANDARD CATALOG MODEL	ORDER AS:
V18ZA3	V18ZC3

For crimped leads without trimming and any variations to the above, contact Littelfuse.

- For 10±1mm lead spacing on 20mm diameter models only; append standard model numbers by adding "X10".

Example:

STANDARD CATALOG MODEL	ORDER AS:
V18ZA40	V18ZA40X10

### ZA series varistors for Hi-Temperature operating conditions:

- Phenolic Coated ZA Series devices are available with improved maximum operating maximum temperature 125°C.
- These devices also have improved temperature cycling performance capability.
- Ratings and Specifications are as per standard ZA Series except Hi-Pot encapsulation Isolation Voltage Capability = 500V.
- To order: add X1347 to part number (e.g. V22ZA3X1347)
- These devices are not UL, CSA, VDE or CECC certified.
- Contact factory for further details.

### Ordering Information

ZA series Varistors are shipped standard in bulk pack with straight leads and lead spacing outlined in the package dimensions on page 4-13. Contact your Littelfuse sales representative to discuss the non-standard options outlined below.

For Lead-free and RoHS compliant parts add the letter 'P' after the base part number and before any option as shown in the ordering example below.

ex: V8ZA40PX10  
V150ZA20PX1347

