

# ASRock IMB-770 Motherboard datasheet

<http://www.manuallib.com/asrock/imb-770-motherboard-datasheet.html>

Socket LGA1155 for Intel Core i7/i5/i3/Celeron (Ivy Bridge and Sandy Bridge)

Intel® Q77 Chipset

Integrated Intel® HD Graphics Built-in Visuals

Supports DDR3 1600MHz, 4 x Long-DIMM, up to 32GB system memory

2 x COM (RS-232/422/485), 4 x COM (RS-232)

1 x D-Sub, 1 x HDMI, 1 x DisplayPort

4 x USB 3.0, 9 x USB 2.0, 2 x SATA3, 2 x SATA2

4 x PCI, 1 x mini-PCIe, 1 x mSATA, 3 x PCIe (x16/x4/x1),

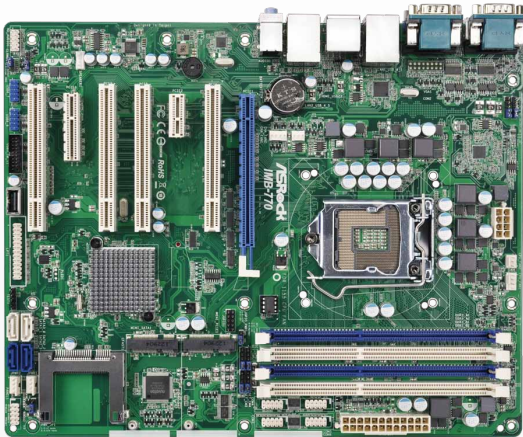
1 x CFAST Card Socket

Gigabit LAN : 1 x Intel 82579LM, 1 x Intel 82583V

1 x TPM Header

ManualLib.com collects and classifies the global product instruction manuals to help users access anytime and anywhere, helping users make better use of products.

<http://www.manuallib.com>



# IMB-770

ATX Motherboard

## Spotlight Features

- Socket LGA1155 for Intel Core i7/i5/i3/Celeron (Ivy Bridge and Sandy Bridge)
- Intel® Q77 Chipset
- Integrated Intel® HD Graphics Built-in Visuals
- Supports DDR3 1600MHz, 4 x Long-DIMM, up to 32GB system memory
- 2 x COM (RS-232/422/485), 4 x COM (RS-232)
- 1 x D-Sub, 1 x HDMI, 1 x DisplayPort
- 4 x USB 3.0, 9 x USB 2.0, 2 x SATA3, 2 x SATA2
- 4 x PCI, 1 x mini-PCIe, 1 x mSATA, 3 x PCIe (x16/x4/x1), 1 x CFast Card Socket
- Gigabit LAN : 1 x Intel 82579LM, 1 x Intel 82583V
- 1 x TPM Header

## Specifications

### Processor System

Dimension	ATX (9.6-in x 12-in)
CPU	Socket LGA1155 for Intel Core i7/i5/i3/Celeron (Sandy Bridge and Ivy Bridge)
Core Number	(By CPU, Max 4)
Max Speed	(By CPU)
L3 Cache	(By CPU)
Chipset	Q77
BIOS	UEFI

### Expansion Slot

PCI	4
Mini-PCIe	1 (Full Size)
mSATA	1
PCIe	1 (x16) (Ivy Bridge: Gen3; Sandy Bridge: Gen2) + 1 (x1) + 1 (x4)
CFast Card Socket	1

### Memory

Technology	Dual Channel DDR3 1066/1333/1600 MHz SDRAM
Max.	32GB
Socket	4 x Long-DIMM

### Graphics

Controller	Intel HD Graphics (By CPU)
VRAM	Shared Memory
VGA	Supports max resolution 2048 x 1536
LVDS	0
HDMI	Supports HDMI 1.4a, max resolution 1920 x 1200
DVI	No
Display Port	Supports max resolution 2560 x 1600
Multi Display	Yes

### Ethernet

Interface	10/100/1000 Mbps
Controller	GbE LAN1: Intel 82583V, LAN2: Intel 82579LM
Connector	2 x RJ-45

### SATA

Max Data Transfer Rate	SATA2 (3.0Gb/s), SATA3 (6.0Gb/s), Supports RAID 0/1/5
------------------------	---

### Rear I/O

VGA	1
HDMI	1
DVI-I/D	0
Display Port	1
Ethernet	2
USB	6 (4 x USB 2.0 compliant, 2 x USB 3.0 compliant)
Audio	3 (Mic-In, Line-Out, Line-In)
Serial	2 (RS-232/422/485)
PS/2	1 (Combo)

### Internal Connector

USB	7 (4 x USB 2.0 compliant, 2 x USB 3.0 compliant) 1 Vertical Type A USB Connector
LVDS/Inverter	0
VGA	0
Serial	4 (RS-232)
SATA	2 x SATA2 (3.0Gb/s), 2 x SATA3 (6.0Gb/s), Support RAID 0/1/5/10
m-SATA	1
Mini-PCIe	1 (Supports half-size card)
Parallel	1
IrDA	0
GPIO	4 x GPI + 4 x GPO
SATA PWR Output Con	2
Speaker Header	0

### Watchdog Timer

Output	Output from super I/O to drag RESETCON#
Interval	256 Segments, 0,1,2...255 Sec/Min

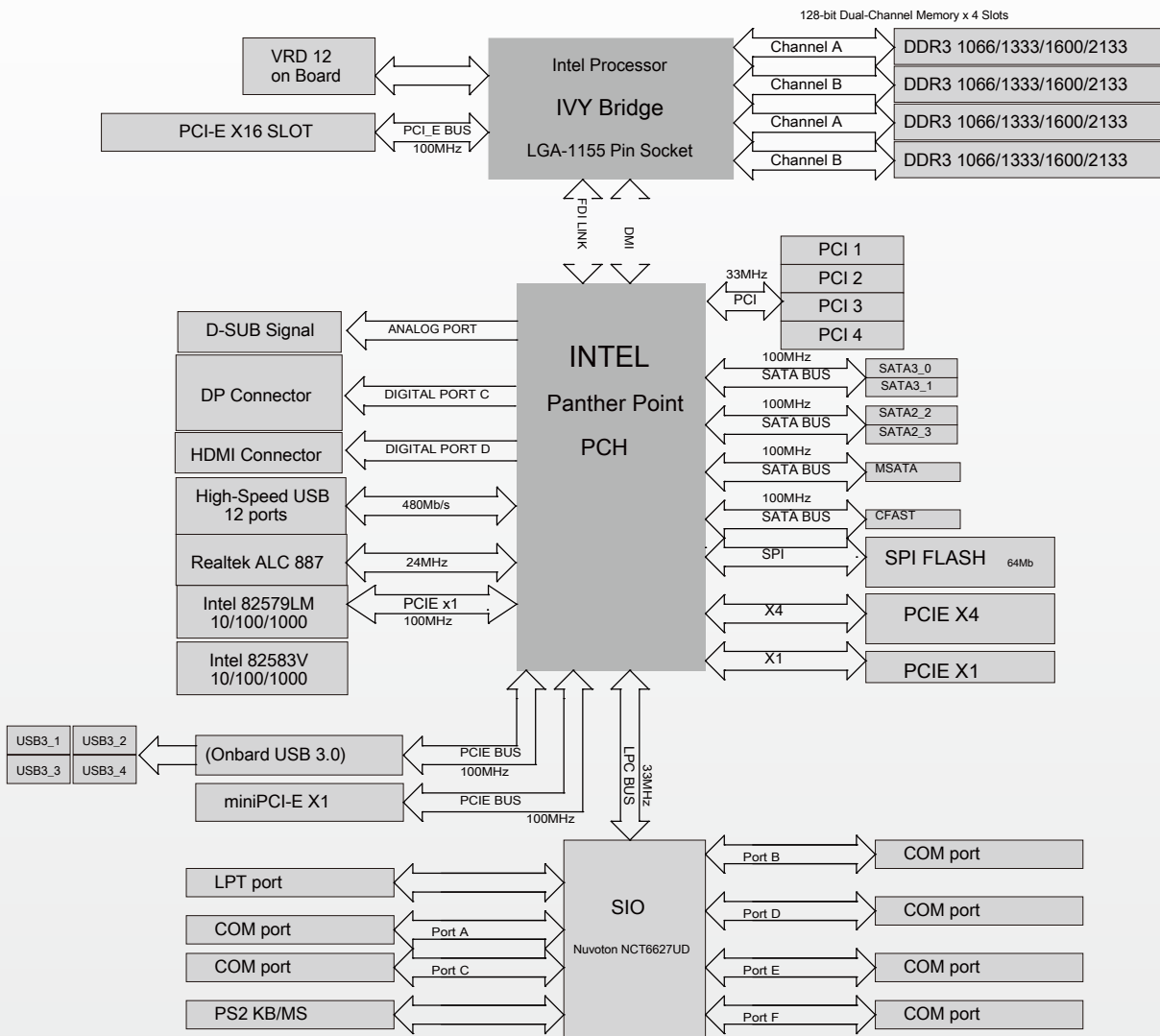
### Power Requirements

Input PWR	ATX PWR (8 + 24)
Power On	AT/ATX Supported AT : Directly PWR on as power input ready ATX : Press button to PWR on after power input ready

### Environment

Operating Temperature	0°C – 60°C
-----------------------	------------

Board Diagram



IPC Motherboards Focused Markets

ASRock IMB solutions can be widely used for industrial applications, such as process control, data acquisition, and so on. IMB-PCs are typically panel mounted and often incorporate touch screens for user interaction.



The specification is subject to change without notice. The brand and product names are trademarks of their respective companies. Any configuration other than original product specification is not guaranteed.